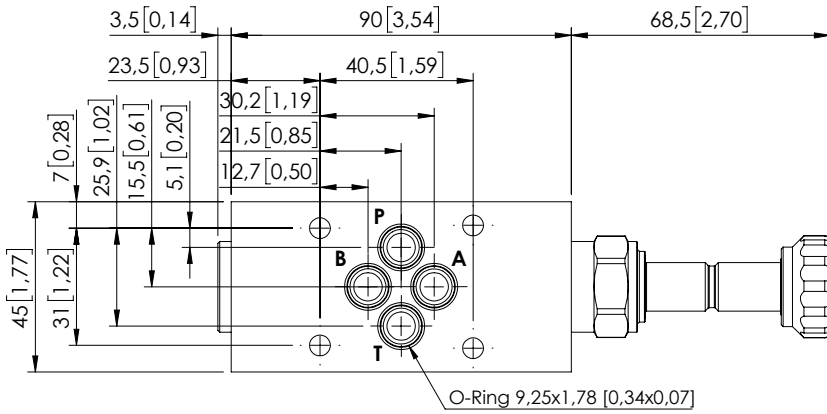
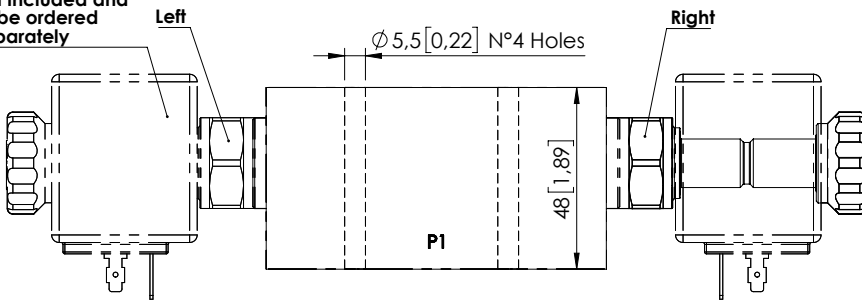


# BDEN-040-LCEI

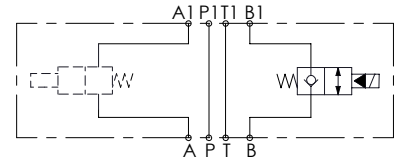
CETOP 3



Coil type M7 or M3 not included and to be ordered separately



Dimensions: mm [inches]



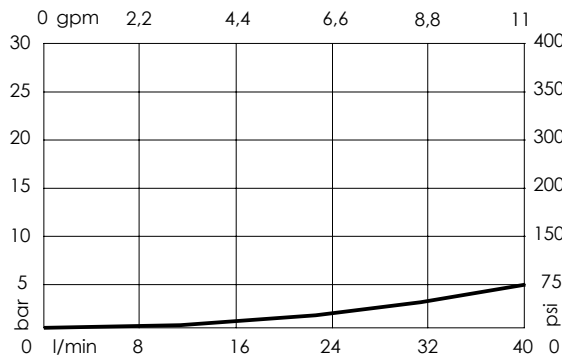
## SPECIFICATIONS

Max. operating pressure:	210 bar (3000 psi)
Rated flow:	40 l/min (11 gpm)
Weight:	0.62 kg (1,34 lbs)
Manifold:	Aluminium
Coil type:	M7 or M3 type
Contamination class to ISO 4406:	See technical spec.
MTF <sub>a</sub> :	150 - 1200 years: See technical spec.

## NOTES

For other configurations/quick codes not available in this catalogue page please consult factory

## CURVES



## ORDERING CODES

Quick code	Description	Ports	Version
BD000034	BDEN-040-LCEI-NP-N06-N210-R	A,B,P,T: CETOP 3	Right
BD000119	BDEN-040-LCEI-NP-N06-N210-L	A,B,P,T: CETOP 3	Left