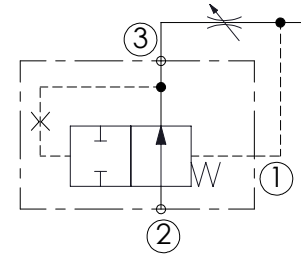
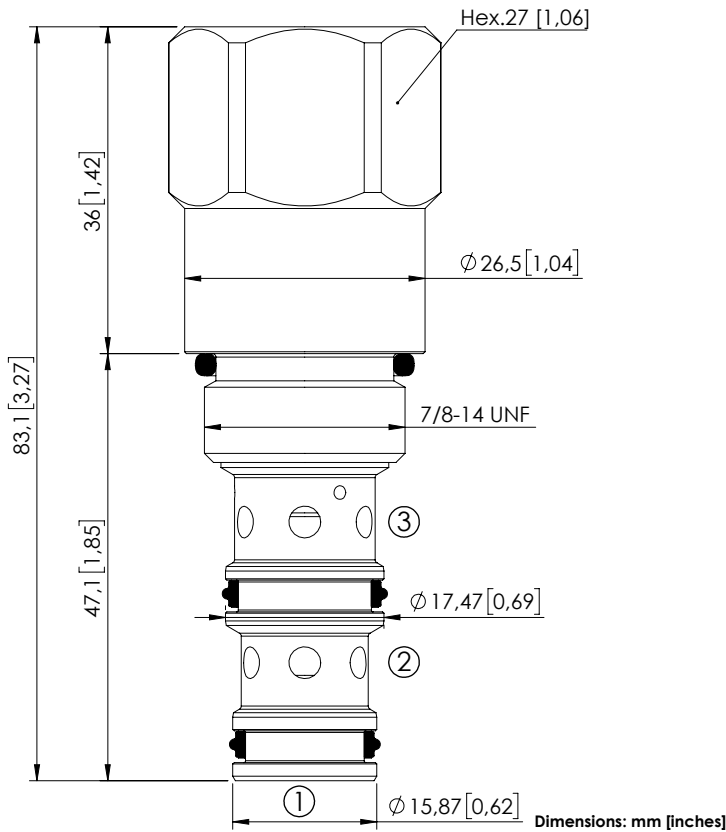


CDLN-040-CCTE

NORMALLY CLOSED
SPOOL TYPE



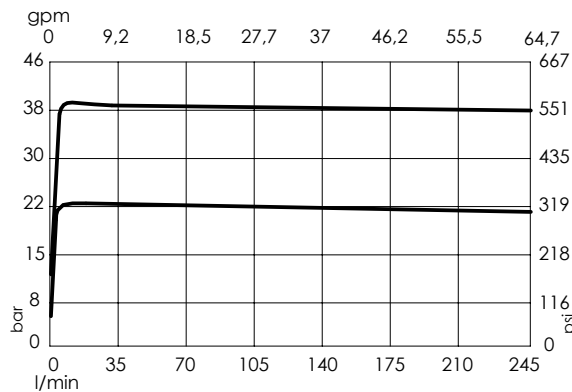
SPECIFICATIONS

| | |
|----------------------------------|----------------------------|
| Max. operating pressure: | 350 bar (5000 psi) |
| Rated flow: | 40 l/min (11 gpm) |
| Cavity: | SAE-10-3N |
| Weight: | 0,21 kg (0,39 lbs) |
| Spool: | $\phi 10$ mm [0,39] |
| Seal kit: | RB600092 |
| Installation torque: | 34 - 37 Nm (25 - 27 ft-lb) |
| Contamination class to ISO 4406: | See technical spec. |
| MTTFa: | 150 years |

NOTES

For other configurations/quick codes not available in this catalogue page please consult factory.

CURVES



ORDERING CODES

| Quick code | Description | Closing pressure |
|------------|---------------------------|------------------|
| CD000580 | CDLN-040-CCTE-FN-S10-N005 | 5 bar (75 psi) |
| CD000619 | CDLN-040-CCTE-FN-S10-N011 | 11 bar (150 psi) |
| | | |
| | | |
| | | |
| | | |