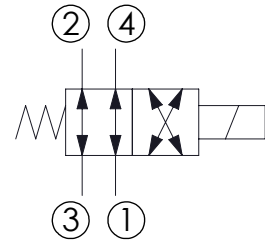
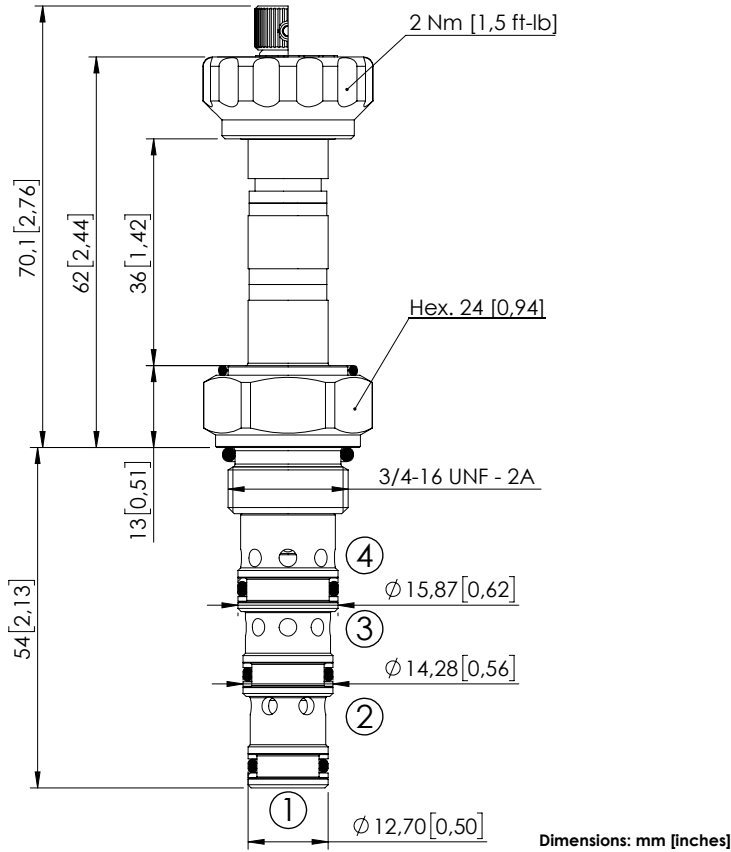


SOLENOID OPERATED CARTRIDGE

CEDS-015-SEFN-40

DIRECT OPERATED
SPOOL TYPE



SPECIFICATIONS

Max. operating pressure:	350 bar (5000 psi)
Max. operating pressure on port 1:	280 bar (4000 psi)
Rated flow:	15 l/min (4 gpm)
Cavity:	SAE-08-4N
Weight:	0,14 kg (0,26 lbs)
Min. voltage required:	90% of nominal
Coil type:	M7 or M3 type
Ambient temperature:	-20/+50 °C (-4/+122 °F)
Contamination class to ISO 4406:	See technical spec.
Seal kit:	RB700101
Installation torque:	45 - 50 Nm (33 - 37 ft-lb)
MTF _a :	150 - 1200 years: See technical spec.
Leakage:	120 cm ³ /min (@46 csi) 7,3 in ³ /min (@46 csi)

NOTES

For other configurations/quick codes not available in this catalogue page please consult factory

OPTIONS

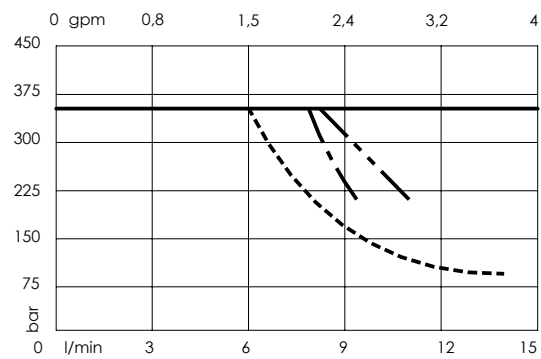
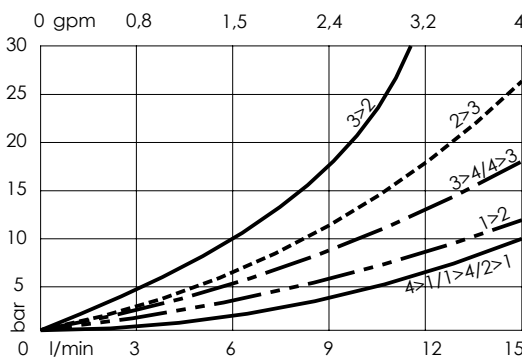
Standard



Knob style override



CURVES



ORDERING CODES

Quick code	Description	Options
CE000014	CEDS-015-SEFN-40-S08-N350	Standard
CE000071	CEDS-015-SEFE-40-S08-N350	Knob style override