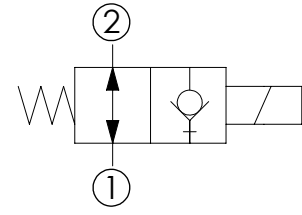
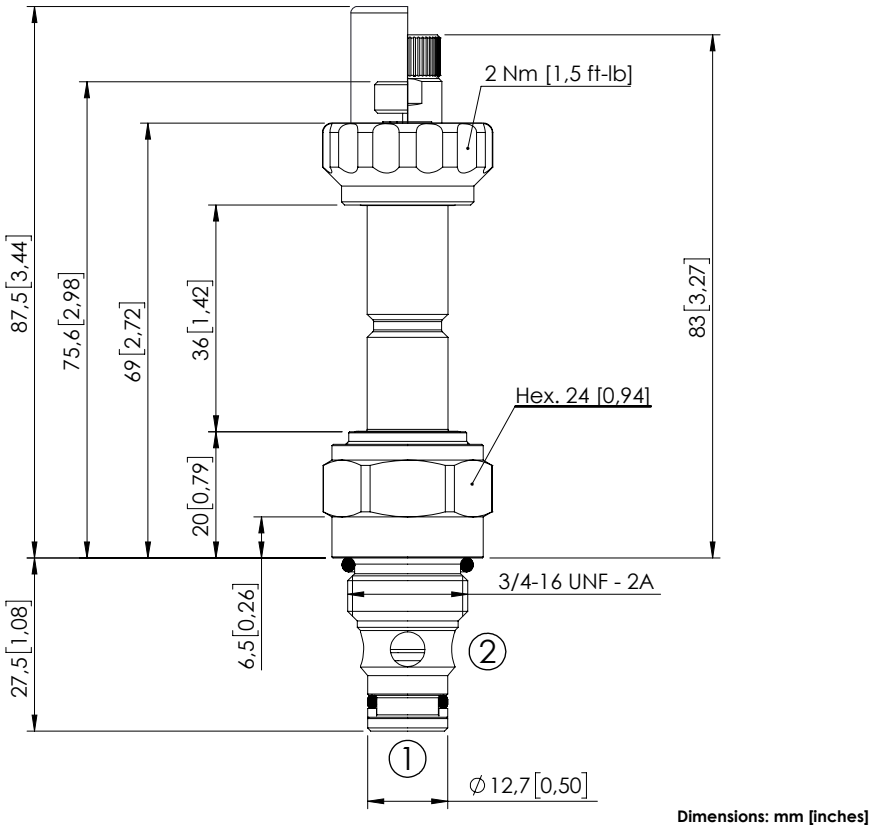


SOLENOID OPERATED CARTRIDGE

CEBD-001-NAFN-13

DIRECT OPERATED
POPPET TYPE



SPECIFICATIONS

Max. operating pressure:	350/500 bar (5000/7200 psi)
Rated flow:	1,5 l/min (0,4 gpm)
Cavity:	SAE-08-2N
Weight:	0,15 kg (0,33 lbs)
Min. voltage required:	90% of nominal
Coil type:	M7 or M3 type
Ambient temperature:	-20/+50 °C (-4/+122 °F)
Contamination class to ISO 4406:	See technical spec.
Seal kit:	RA900081
Installation torque:	45 - 50 Nm (33 - 37 ft-lb)
MTF _d :	150 - 1200 years: See technical spec.

NOTES

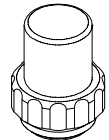
For other configurations/quick codes not available in this catalogue page please consult factory

CURVES

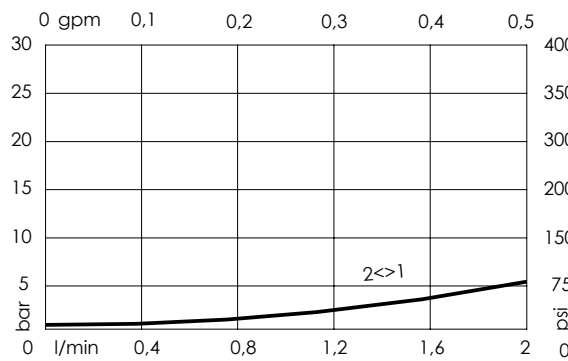
OPTIONS

- Standard
- Push style override
- Knob style override

SEALING CAP



Ordering code:
AT000113



ORDERING CODES

Quick code	Description	Options	Max operating pressure
CE000204	CEBD-001-NAFN-13-S08-N350	Standard	350 bar (5000 psi)
CE000205	CEBD-001-NAFP-13-S08-N350	Push style override	350 bar (5000 psi)
CE000206	CEBD-001-NAFK-13-S08-N350	Knob style override	350 bar (5000 psi)
CE000504	CEBD-001-NAFN-13-S08-N500	Standard	500 bar (7200 psi)
CE000505	CEBD-001-NAFP-13-S08-N500	Push style override	500 bar (7200 psi)
CE000506	CEBD-001-NAFK-13-S08-N500	Knob style override	500 bar (7200 psi)