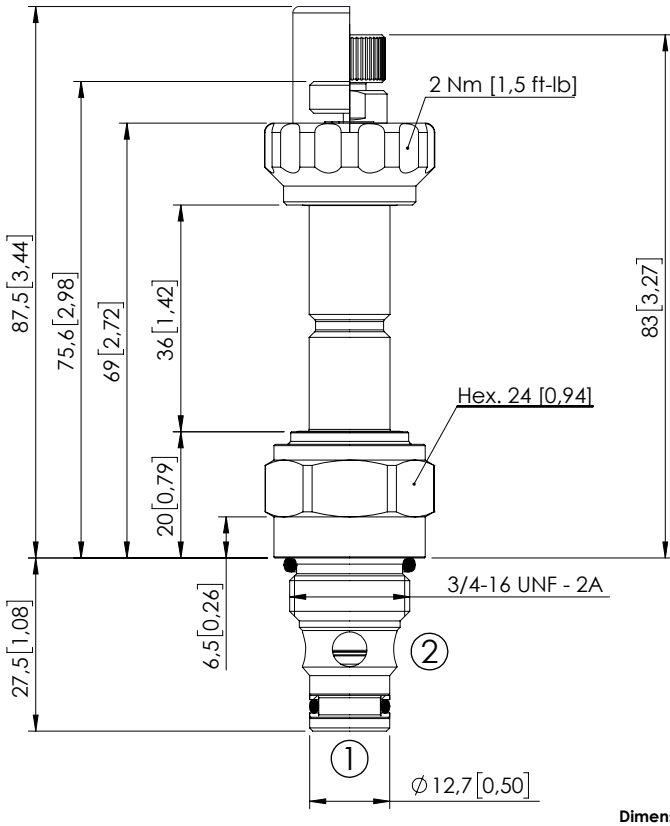


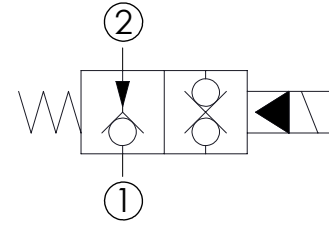
SOLENOID OPERATED CARTRIDGE

CEBN-060-NAFN-12

PILOT OPERATED
POPPET TYPE



Dimensions: mm [inches]



SPECIFICATIONS

Max. operating pressure:	350/500 bar (5000/7200 psi)
Rated flow:	60 l/min (16 gpm)
Cavity:	SAE-08-2N
Weight:	0,15 kg (0,33 lbs)
Min. voltage required:	90% of nominal
Coil type:	M7 or M3 type
Ambient temperature:	-20/+50 °C (-4/+122 °F)
Contamination class to ISO 4406:	See technical spec.
Seal kit:	RB900081
Installation torque:	45 - 50 Nm (33 - 37 ft-lb)
MTF _d :	150 - 1200 years: See technical spec.

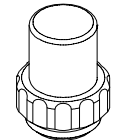
NOTES

For other configurations/quick codes not available in this catalogue page please consult factory

OPTIONS

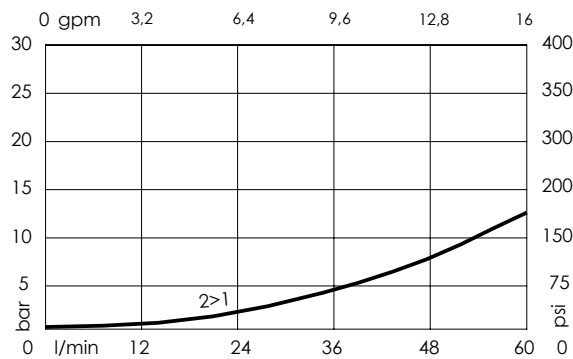
Standard	
Push style override	
Knob style override	

SEALING CAP



Ordering code:
AT000113

CURVES



ORDERING CODES

Quick code	Description	Options	Max operating pressure
CE000239	CEBN-060-NAFN-12-S08-N350	Standard	350 bar (5000 psi)
CE000240	CEBN-060-NAFP-12-S08-N350	Push style override	350 bar (5000 psi)
CE000241	CEBN-060-NAFK-12-S08-N350	Knob style override	350 bar (5000 psi)
CE000539	CEBN-060-NAFN-12-S08-N500	Standard	500 bar (7200 psi)
CE000540	CEBN-060-NAFP-12-S08-N500	Push style override	500 bar (7200 psi)
CE000541	CEBN-060-NAFK-12-S08-N500	Knob style override	500 bar (7200 psi)