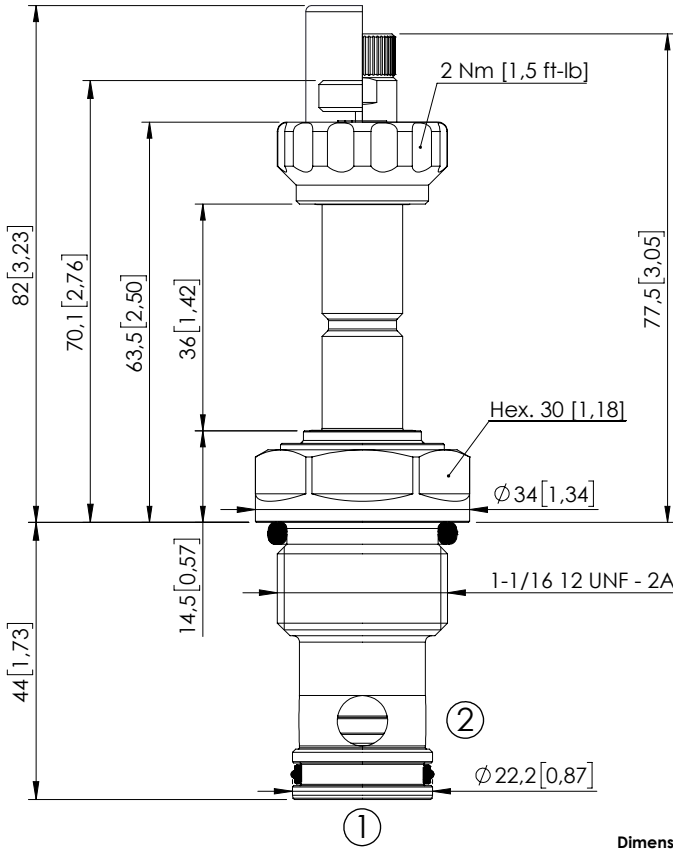


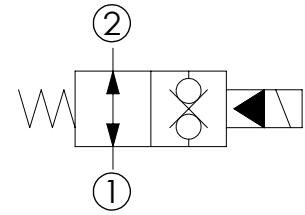
SOLENOID OPERATED CARTRIDGE

CEBN-190-NAFN-32

PILOT OPERATED
POPPET TYPE



Dimensions: mm [inches]



SPECIFICATIONS

| | |
|----------------------------------|---------------------------------------|
| Max. operating pressure: | 350/500 bar (5000/7200 psi) |
| Rated flow: | 190 l/min (50 gpm) |
| Cavity: | SAE-12-2N |
| Weight: | 0.25 kg (0.55 lbs) |
| Min. voltage required: | 90% of nominal |
| Coil type: | M7 or M3 type |
| Ambient temperature: | -20/+50 °C (-4/+122 °F) |
| Contamination class to ISO 4406: | See technical spec. |
| Seal kit: | RB900083 |
| Installation torque: | 135 - 150 Nm (100 - 111 ft-lb) |
| MTF _d : | 150 - 1200 years: See technical spec. |

NOTES

For other configurations/quick codes not available in this catalogue page please consult factory

OPTIONS

Standard



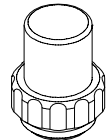
Push style override



Knob style override

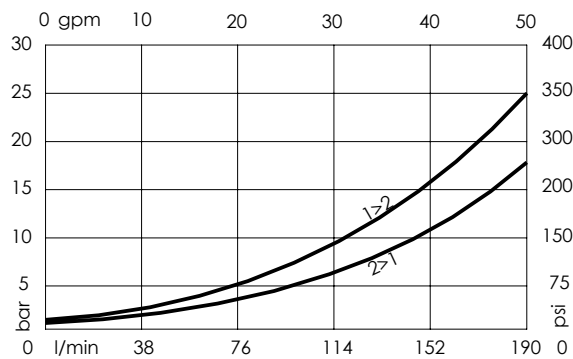


SEALING CAP



Ordering code:
AT000113

CURVES



ORDERING CODES

| Quick code | Description | Options | Max operating pressure |
|------------|---------------------------|---------------------|------------------------|
| CE000347 | CEBN-190-NAFN-32-S12-N350 | Standard | 350 bar (5000 psi) |
| CE000348 | CEBN-190-NAFP-32-S12-N350 | Push style override | 350 bar (5000 psi) |
| CE000349 | CEBN-190-NAFK-32-S12-N350 | Knob style override | 350 bar (5000 psi) |
| CE000647 | CEBN-190-NAFN-32-S12-N500 | Standard | 500 bar (7200 psi) |
| CE000648 | CEBN-190-NAFP-32-S12-N500 | Push style override | 500 bar (7200 psi) |
| CE000649 | CEBN-190-NAFK-32-S12-N500 | Knob style override | 500 bar (7200 psi) |