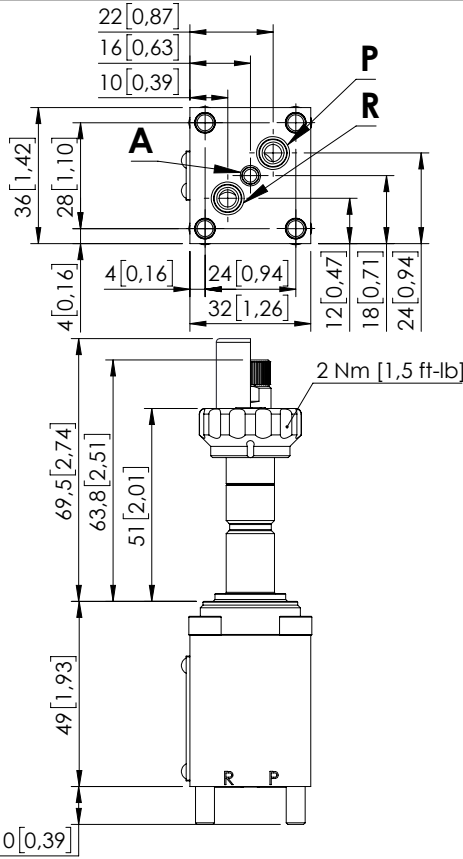


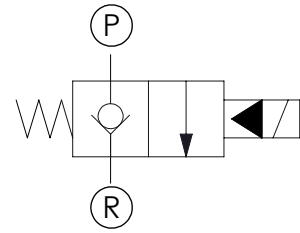
SOLENOID OPERATED CARTRIDGE

CEBN-015-NCGN-01

HIGH PRESSURE
POPPET TYPE
FLANGED BODY



Dimensions: mm [inches]



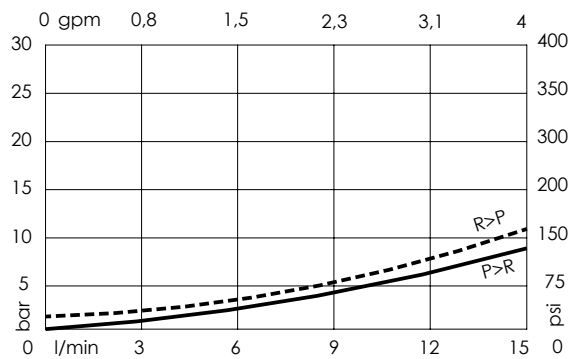
SPECIFICATIONS

Max. operating pressure:	600 bar (8700 psi)
Rated flow:	15 l/min (4 gpm)
Manifold:	Steel
Weight:	0,44 kg (0,97 lbs)
Min. voltage required:	90% of nominal
Coil type:	M7 or M3 type
Ambient temperature:	-20/+50 °C (-4/+122 °F)
Contamination class to ISO 4406:	See technical spec.
Mounting screw torque:	6,5 Nm (5 ft-lb)
MTF _a :	150 - 1200 years: See technical spec.

NOTES

For other configurations/quick codes not available in this catalogue page please consult factory

CURVES



OPTIONS

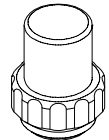
Standard



Knob style override



SEALING CAP



Ordering code:
AT000113

ORDERING CODES

Quick code	Description	Options	Ports size
CE001077	CEBN-015-NCGN-01-F45-N600	Standard	R,P: Ø4,5 [0,18] A: Ø3 [0,12]
CE001080	CEBN-015-NCGK-01-F45-N600	Knob style override	R,P: Ø4,5 [0,18] A: Ø3 [0,12]