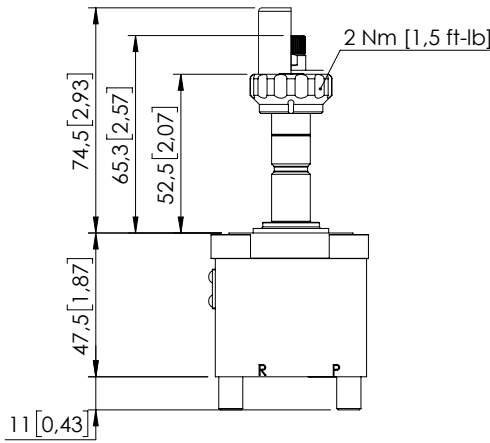
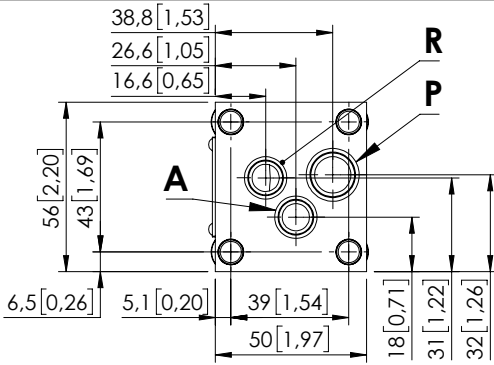


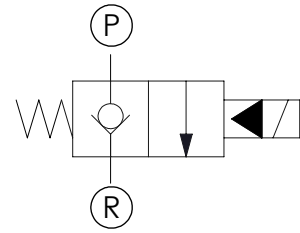
SOLENOID OPERATED CARTRIDGE

CEBN-060-NCGN-01

HIGH PRESSURE
POPPET TYPE
FLANGED BODY



Dimensions: mm [inches]



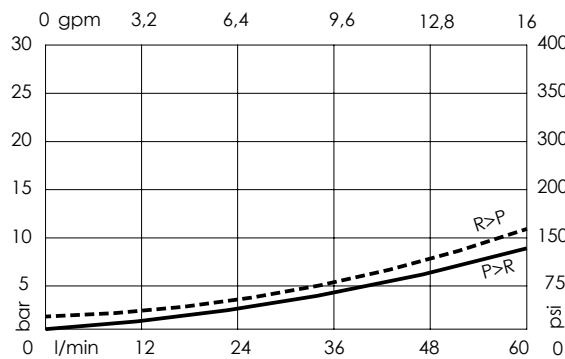
SPECIFICATIONS

Max. operating pressure:	600 bar (8700 psi)
Rated flow:	60 l/min (16 gpm)
Manifold:	Steel
Weight:	0,99 kg (2,20 lbs)
Min. voltage required:	90% of nominal
Coil type:	M7 or M3 type
Ambient temperature:	-20/+50 °C (-4/+122 °F)
Contamination class to ISO 4406:	See technical spec.
Mounting screw torque:	23 Nm (17 ft-lb)
MTF _a :	150 - 1200 years: See technical spec.

NOTES

For other configurations/quick codes not available in this catalogue page please consult factory

CURVES



OPTIONS

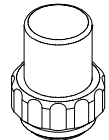
Standard



Knob style override



SEALING CAP



Ordering code:
AT000113

ORDERING CODES

Quick code	Description	Options	Ports size
CE001079	CEBN-060-NCGN-01-F45-N600	Standard	R,P: Ø9 [0,35] A: Ø9 [0,35]
CE001082	CEBN-060-NCGK-01-F45-N600	Knob style override	R,P: Ø9 [0,35] A: Ø9 [0,35]