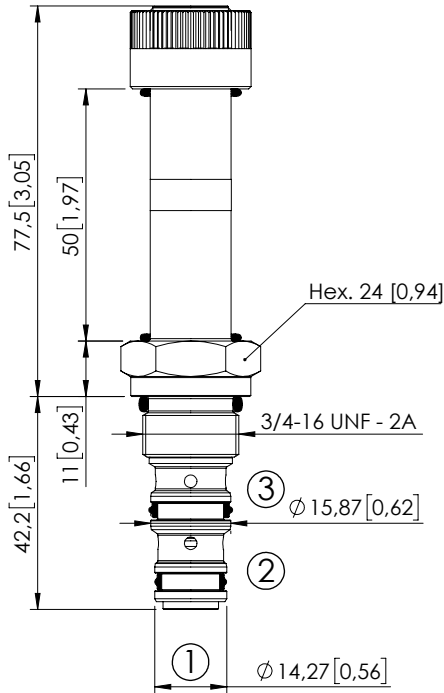


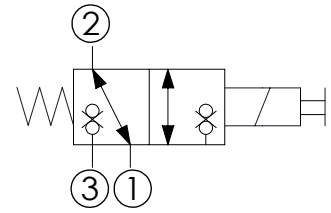
SOLENOID OPERATED CARTRIDGE

CECD-020-SEFN-66

DIRECT OPERATED
POPPET TYPE



Dimensions: mm [inches]



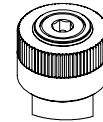
SPECIFICATIONS

Max. operating pressure:	350 bar (5000 psi)
Rated flow:	20 l/min (5 gpm)
Cavity:	SAE-08-3N
Weight:	0.38 kg (0.55 lbs)
Min. voltage required:	90% of nominal
Coil type:	M16 type
Ambient temperature:	-20/+50 °C (-4/+122 °F)
Contamination class to ISO 4406:	See technical spec.
Seal kit:	RB600091
Installation torque:	45 - 50 Nm (33,2 - 36,9 ft-lb)
MTF _d :	150 - 1200 years: See technical spec.
Leakage:	0,15 cm ³ /min (@46 cSt) 0,009 in ³ /min (@46 cSt)

NOTES

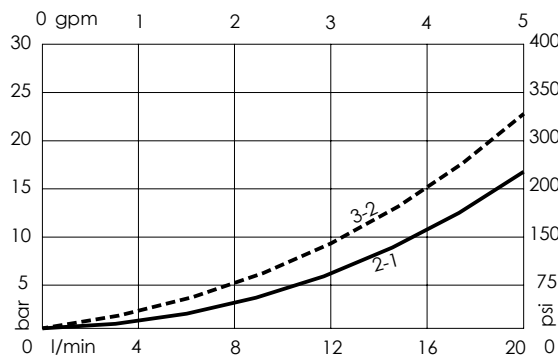
For other configurations/quick codes not available in this catalogue page please consult factory

OPTIONS



Push style
Manual Override

CURVES



ORDERING CODES

Quick code	Description	Options
CE001191	CECD-020-SEFN-66-S08-N350	Push style Manual Override