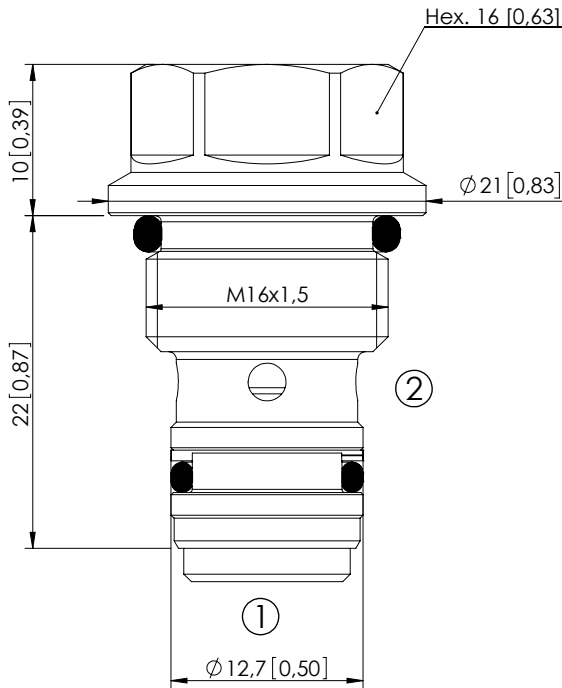
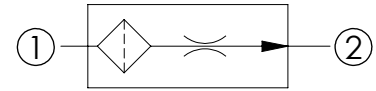


CFST-008-MFRR



Dimensions: mm [inches]



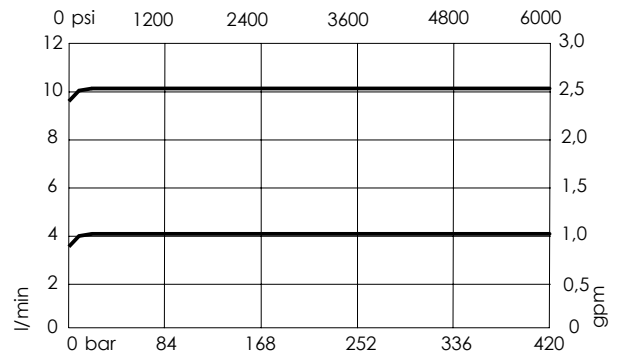
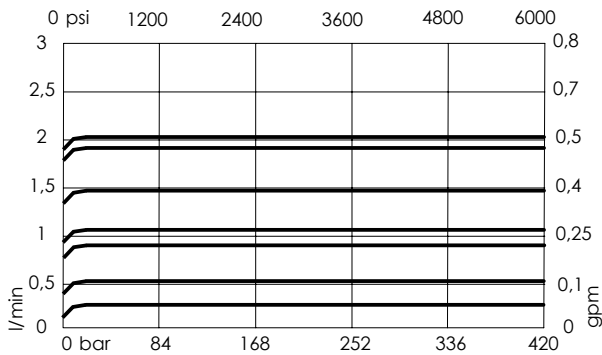
SPECIFICATIONS

Max. operating pressure:	420 bar (6000 psi)
Rated flow:	See table
Cavity:	VP000391
Weight:	0,04 kg (0,08 lbs)
Contamination class to ISO 4406:	See technical spec.
Seal kit:	RA700391
Installation torque:	34 - 41 Nm (25 - 30 ft-lb)
MTTF _d :	150 - 1200 years: See technical spec.

NOTES

For other configurations/quick codes not available in this catalogue page please consult factory

CURVES



ORDERING CODES

Quick code	Description	Regulated flow (±10%)		
CF000332	CFST-008-MFRR-03-391-N420	0,3 l/min (0,08 gpm)		
CF000221	CFST-008-MFRR-05-391-N420	0,5 l/min (0,1 gpm)		
CF000296	CFST-008-MFRR-07-391-N420	0,7 l/min (0,2 gpm)		
CF000231	CFST-008-MFRR-11-391-N420	1,1 l/min (0,3 gpm)		
CF000232	CFST-008-MFRR-14-391-N420	1,4 l/min (0,4 gpm)		
CF000233	CFST-008-MFRR-17-391-N420	1,7 l/min (0,45 gpm)		
CF000245	CFST-008-MFRR-20-391-N420	2 l/min (0,5 gpm)		
CF000425	CFST-008-MFRR-40-391-N420	4 l/min (1,0 gpm)		
CF000426	CFST-008-MFRR-99-391-N420	10 l/min (2,6 gpm)		