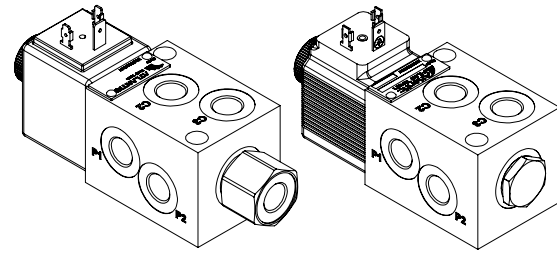
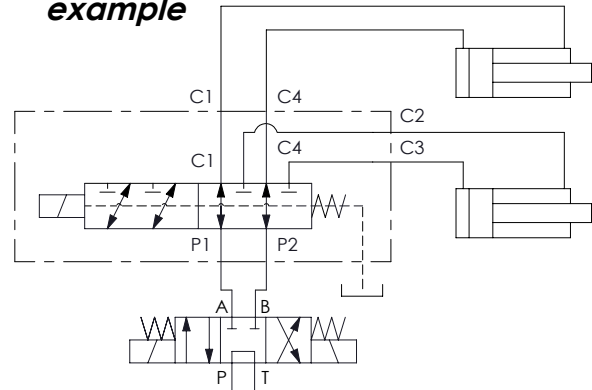


**	Circuit	Transit position
01		
02		
03		

*Only external drain



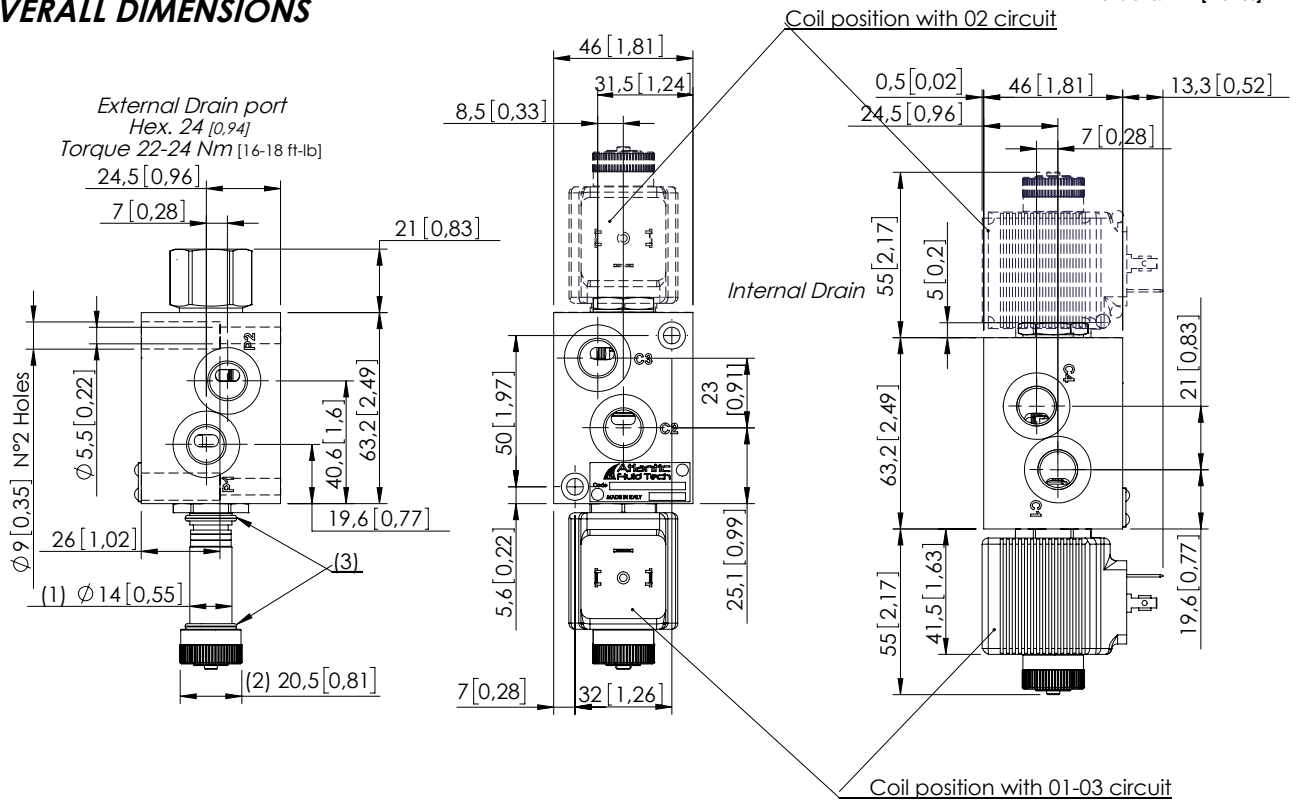
Mounting example



Technical data			
Rated flow		l/min (gpm)	25 (7)
Operating pressure	with internal drain "N"	bar (psi)	250 (3600)
	with external drain "E"	bar (psi)	310 (4500)
Valve weight		Kg (lb)	1,1 (2,4)

OVERALL DIMENSIONS

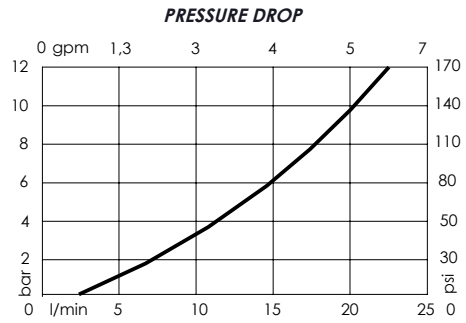
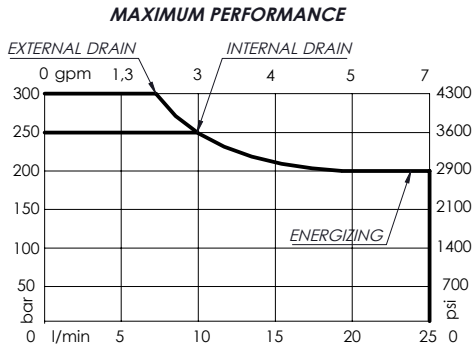
Dimensions: mm [inches]



- (1) Solenoid tube hex.17 [0,67] - Torque 22-24 Nm [16-18 ft-lb]
- (2) Ring nut for coil locking - Torque 5-6 Nm [4-5 ft-lb]
- (3) O-Ring Ø 14x1,78 [0,55x0,07]

Characteristic curves

Measured with hydraulic fluid ISO-VG46 at 40°±5°C (104° F ± 41°F)



Internal leakage on C ports: MAX 15 cm³/min (0,91 in³/min) Mineral oil with 32 cSt viscosity, at 40° C (104° F) and 100 bar (1400 psi) pressure.

*	OPERATED	<i>Circuit</i>	*	MANUAL OVERRIDE	*	DRAIN	<i>Circuit</i>																		
E	Electric 		S	Standard 	N	Internal 																			
N	Hydraulic/pneumatic 		V	Screw 	E	External 																			
			N	Without manual override (Only for hydraulic version)	<table border="1"> <tr> <th colspan="3">PORTS</th> </tr> <tr> <td>***</td> <td>Main (C)</td> <td>Drain (D)</td> </tr> <tr> <td>G14</td> <td>1/4" Gas</td> <td>1/4" Gas</td> </tr> <tr> <td></td> <td></td> <td></td> </tr> <tr> <td></td> <td></td> <td></td> </tr> <tr> <td colspan="3">Other port sizes available</td> </tr> </table>			PORTS			***	Main (C)	Drain (D)	G14	1/4" Gas	1/4" Gas							Other port sizes available		
PORTS																									
***	Main (C)	Drain (D)																							
G14	1/4" Gas	1/4" Gas																							
Other port sizes available																									

(4) Hydraulic or pneumatic pilot connector:
Torque 20-22 Nm [15-16 ft-lb]
With external drain Pilot Pressure Min. 5 bar [70 psi]
With internal drain Pilot Pressure is 1/10 of the working pressure

CIRCUIT

N - Seals in NBR
V - Seals in VITON

ELFB - 025 - * * A * - ** - * - * ** ***

*	Voltage (V)	Resistance (Ω) ± 7%	Power (W)	Current (A)
-	Without coil			
A	12 DC	5,53	26	2,17
B	24 DC	22,1	26	1,08
Other voltages available on request				

*	COIL	Type	Protection class
-	Without coil		
HR	DIN 43650 - ISO 4400 Class H	M14	IP65
AJ	AMP JUNIOR Class H	M14	IP65
DT	DEUTSCH DT04-2P-L Class H	M14	IP69