



ATLANTIC
Fluid Tech

**SECTION
15**

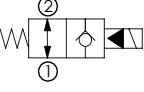
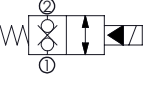
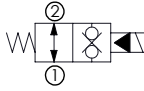
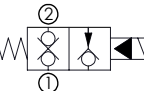
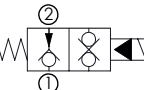
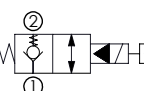
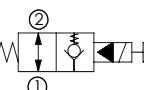
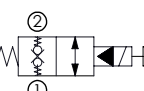
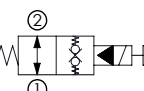
Solenoid
Cartridges

SOLENOID CARTRIDGES

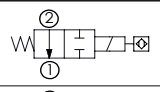
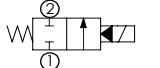
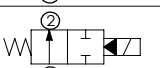
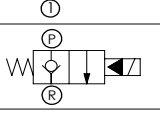
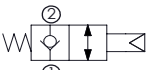
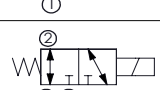
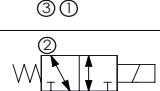
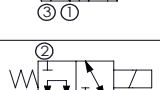
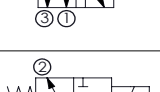
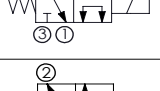
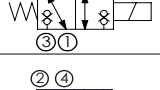
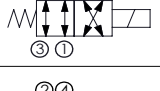
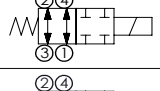
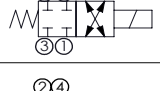
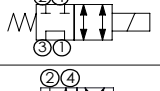
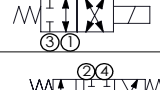
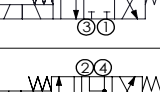
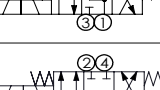
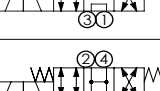


Hydraulic scheme	Valve description	Valve type	Rated flow l/min (gpm)	Max. pressure bar (psi)	Installation	Main port size or cavity type	Page
	CEBD-001-NCFN-15	Direct acting, poppet type	1,5 (0,4)	350-500 (5000-7200)	Cartridge	SAE-08-2N	15.01. 010
	CEBD-001-NCFN-15	Direct acting, poppet type	1 (0,3)	350 (5000)	Cartridge	VP000445	15.01. 020
	CEBD-001-NCFN-16	Direct acting, poppet type	1,5 (0,4)	350-500 (5000-7200)	Cartridge	SAE-08-2N	15.02. 030
	CEBD-001-NCFN-16	Direct acting, poppet type	1 (0,3)	350 (5000)	Cartridge	VP000445	15.02. 040
	CEBD-001-NAFN-13	Direct acting, poppet type	1,5 (0,4)	350-500 (5000-7200)	Cartridge	SAE-08-2N	15.03. 050
	CEBD-001-NAFN-13	Direct acting, poppet type	1 (0,3)	350 (5000)	Cartridge	VP000445	15.03. 060
	CEBD-001-NAFN-14	Direct acting, poppet type	1,5 (0,4)	350-500 (5000-7200)	Cartridge	SAE-08-2N	15.04. 070
	CEBD-001-NAFN-14	Direct acting, poppet type	1 (0,3)	350 (5000)	Cartridge	VP000445	15.04. 080
	CEBS-010-NCFN-22	Direct acting, spool type	10 (3)	210 (3000)	Cartridge	SAE-08-2N	15.05. 090
	CEBS-010-NAFN-23	Direct acting, spool type	10 (3)	210 (3000)	Cartridge	SAE-08-2N	15.06. 100
	CEBD-015-NCFN-21	Direct acting, poppet type	15 (4)	210 (3000)	Cartridge	SAE-08-2N	15.07. 110
	CEBN-060-NCFN-01	Pilot operated, poppet type, cable operated	60 (16)	350-500 (5000-7200)	Cartridge	SAE-08-2N	15.08. 120
	CEBN-060-NCFN-01	Pilot operated, poppet type	60 (16)		Cartridge	SAE-08-2N	15.08. 130
	CEBN-080-NCFN-01	Pilot operated, poppet type	80 (21)		Cartridge	SAE-10-2N	15.08. 140
	CEBN-190-NCFN-01	Pilot operated, poppet type	190 (50)		Cartridge	SAE-12-2N	15.08. 150
	CEBN-310-NCFN-01	Pilot operated, poppet type	310 (82)		Cartridge	SAE-16-2N	15.08. 160
	CEBE-040-NCFN-05	Pilot operated, poppet type	40 (11)	350-500 (5000-7200)	Cartridge	SAE-08-2N	15.09. 170
	CEBN-060-NCFN-05	Pilot operated, poppet type	60 (16)		Cartridge	SAE-08-2N	15.09. 180
	CEBN-080-NCFN-05	Pilot operated, poppet type	80 (21)		Cartridge	SAE-10-2N	15.09. 190
	CEBN-190-NCFN-05	Pilot operated, poppet type	190 (50)		Cartridge	SAE-12-2N	15.09. 200
	CEBN-310-NCFN-05	Pilot operated, poppet type	310 (82)		Cartridge	SAE-16-2N	15.09. 210
	CEBN-060-NCFN-03	Pilot operated, poppet type	60 (16)	350-500 (5000-7200)	Cartridge	SAE-08-2N	15.10. 220
	CEBN-080-NCFN-03	Pilot operated, poppet type	80 (21)		Cartridge	SAE-10-2N	15.10. 230
	CEBN-310-NCFN-03	Pilot operated, poppet type	310 (82)		Cartridge	SAE-16-2N	15.10. 240
	CEBN-060-NAFN-02	Pilot operated, poppet type	60 (8)	350-500 (5000-7200)	Cartridge	SAE-08-2N	15.11. 250
	CEBN-080-NAFN-02	Pilot operated, poppet type	80 (21)		Cartridge	SAE-10-2N	15.11. 260
	CEBN-190-NAFN-02	Pilot operated, poppet type	190 (50)		Cartridge	SAE-12-2N	15.11. 270
	CEBN-310-NAFN-02	Pilot operated, poppet type	310 (82)		Cartridge	SAE-16-2N	15.11. 280
	CEBE-040-NAFN-06	Pilot operated, poppet type	40 (11)	350-500 (5000-7200)	Cartridge	SAE-08-2N	15.12. 290
	CEBN-060-NAFN-06	Pilot operated, poppet type	60 (16)		Cartridge	SAE-08-2N	15.12. 300
	CEBN-080-NAFN-06	Pilot operated, poppet type	80 (21)		Cartridge	SAE-10-2N	15.12. 310
	CEBN-190-NAFN-06	Pilot operated, poppet type	190 (50)		Cartridge	SAE-12-2N	15.12. 320
	CEBN-310-NAFN-06	Pilot operated, poppet type	310 (82)		Cartridge	SAE-16-2N	15.12. 330

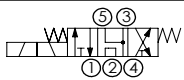
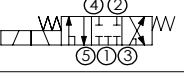
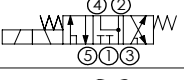


SOLENOID CARTRIDGES

Hydraulic scheme	Valve description	Valve type	Rated flow l/min (gpm)	Max. pressure bar (psi)	Installation	Main port size or cavity type	Page
	CEBN-060-NAFN-04	Pilot operated, poppet type	60 (16)	350-500 (5000-7200)	Cartridge	SAE-08-2N	15.13.340
	CEBN-080-NAFN-04	Pilot operated, poppet type	80 (21)		Cartridge	SAE-10-2N	15.13.350
	CEBN-310-NAFN-04	Pilot operated, poppet type	310 (82)		Cartridge	SAE-16-2N	15.13.360
	CEBE-040-NCFN-31	Pilot operated, poppet type	40 (11)	350 (5000) 350-500 (5000-7200)	Cartridge	SAE-08-2N	15.14.370
	CEBN-060-NCFN-31	Pilot operated, poppet type	60 (16)		Cartridge	SAE-08-2N	15.14.380
	CEBN-080-NCFN-31	Pilot operated, poppet type	80 (21)		Cartridge	SAE-10-2N	15.14.390
	CEBN-190-NCFN-31	Pilot operated, poppet type	190 (50)		Cartridge	SAE-12-2N	15.14.400
	CEBN-310-NCFN-31	Pilot operated, poppet type	310 (82)		Cartridge	SAE-16-2N	15.14.410
	CEBE-040-NAFN-32	Pilot operated, poppet type	40 (11)	350 (5000) 350-500 (5000-7200)	Cartridge	SAE-08-2N	15.15.420
	CEBN-060-NAFN-32	Pilot operated, poppet type	60 (16)		Cartridge	SAE-08-2N	15.15.430
	CEBN-080-NAFN-32	Pilot operated, poppet type	80 (21)		Cartridge	SAE-10-2N	15.15.440
	CEBN-190-NAFN-32	Pilot operated, poppet type	190 (50)		Cartridge	SAE-12-2N	15.15.450
	CEBN-310-NAFN-32	Pilot operated, poppet type	310 (82)		Cartridge	SAE-16-2N	15.15.460
	CEBN-060-NCFN-11	Pilot operated, poppet type	60 (16)	350-500 (5000-7200)	Cartridge	SAE-08-2N	15.16.470
	CEBN-080-NCFN-11	Pilot operated, poppet type	80 (21)		Cartridge	SAE-10-2N	15.16.480
	CEBN-190-NCFN-11	Pilot operated, poppet type	190 (50)		Cartridge	SAE-12-2N	15.16.490
	CEBN-310-NCFN-11	Pilot operated, poppet type	310 (82)		Cartridge	SAE-16-2N	15.16.500
	CEBN-060-NAFN-12	Pilot operated, poppet type	60 (16)	350-500 (5000-7200)	Cartridge	SAE-08-2N	15.17.510
	CEBN-080-NAFN-12	Pilot operated, poppet type	80 (21)		Cartridge	SAE-10-2N	15.17.520
	CEBN-190-NAFN-12	Pilot operated, poppet type	190 (50)		Cartridge	SAE-12-2N	15.17.530
	CEBN-310-NAFN-12	Pilot operated, poppet type	310 (82)		Cartridge	SAE-16-2N	15.17.540
	CEBN-060-XCDR-05	Pilot operated, proximity sensor	60 (16)	350 (5000)	Cartridge	SAE-08-2N	15.18.550
	CEBN-080-XCDR-05	Pilot operated, proximity sensor	80 (21)		Cartridge	SAE-10-2N	15.18.560
	CEBN-190-XCDR-05	Pilot operated, proximity sensor	190 (50)		Cartridge	SAE-12-2N	15.18.570
	CEBN-310-XCDR-05	Pilot operated, proximity sensor	310 (82)		Cartridge	SAE-16-2N	15.18.580
	CEBN-060-XADR-06	Pilot operated, proximity sensor	60 (16)	350 (5000)	Cartridge	SAE-08-2N	15.19.590
	CEBN-080-XADR-06	Pilot operated, proximity sensor	80 (21)		Cartridge	SAE-10-2N	15.19.600
	CEBN-190-XADR-06	Pilot operated, proximity sensor	190 (50)		Cartridge	SAE-12-2N	15.19.610
	CEBN-310-XADR-06	Pilot operated, proximity sensor	310 (82)		Cartridge	SAE-16-2N	15.19.620
	CEBN-060-XCDR-31	Pilot operated, proximity sensor	60 (16)	350 (5000)	Cartridge	SAE-08-2N	15.20.630
	CEBN-080-XCDR-31	Pilot operated, proximity sensor	80 (21)		Cartridge	SAE-10-2N	15.20.640
	CEBN-190-XCDR-31	Pilot operated, proximity sensor	190 (50)		Cartridge	SAE-12-2N	15.20.650
	CEBN-310-XCDR-31	Pilot operated, proximity sensor	310 (82)		Cartridge	SAE-16-2N	15.20.660
	CEBN-060-XADR-32	Pilot operated, proximity sensor	60 (16)	350 (5000)	Cartridge	SAE-08-2N	15.21.670
	CEBN-080-XADR-32	Pilot operated, proximity sensor	80 (21)		Cartridge	SAE-10-2N	15.21.680
	CEBN-190-XADR-32	Pilot operated, proximity sensor	190 (50)		Cartridge	SAE-12-2N	15.21.690
	CEBN-310-XADR-32	Pilot operated, proximity sensor	310 (82)		Cartridge	SAE-16-2N	15.21.700

SOLENOID CARTRIDGES

Hydraulic scheme	Valve description	Valve type	Rated flow l/min (gpm)	Max. pressure bar (psi)	Installation	Main port size or cavity type	Page
	CEBD-040-NAMV CEBD-040-NACV	Direct acting, poppet type	40 (11)	350 (5000)	Cartridge	VP000338	15.22.710
	CEBT-350-NCFN-98 CEBT-600-NCFN-98	Piloted operated, spool type Piloted operated, spool type	350 (92) 600 (158)	350 (5000) 350 (5000)	Cartridge Cartridge	SAE-16-2N SAE-20-2N	15.23.720 15.23.730
	CEBT-350-NAFN-99 CEBT-600-NAFN-99	Piloted operated, spool type Piloted operated, spool type	350 (92) 600 (158)	350 (5000) 350 (5000)	Cartridge Cartridge	SAE-16-2N SAE-20-2N	15.24.740 15.24.750
	CEBN-015-NCGN CEBN-025-NCGN CEBN-060-NCGN	High pressure, poppet type, flanged body High pressure, poppet type, flanged body High pressure, poppet type, flanged body	15 (4) 25 (7) 60 (16)	600 (8700) 600 (8700) 600 (8700)	Cartridge Cartridge Cartridge	Flanged Flanged Flanged	15.25.760 15.25.770 15.25.780
	CEBN-060-NCAN-123	Pneumatic operated, poppet type	40 (11)	350 (5000)	Cartridge	SAE-08-2N	15.26.790
	CECS-015-SEFN-61 CECS-030-SEFN-61	Direct acting, spool type Direct acting, spool type	15 (4) 30 (8)	350 (5000) 350 (5000)	Cartridge Cartridge	SAE-08-3N SAE-10-3N	15.27.840 15.27.880
	CECS-015-SEFN-62 CECS-030-SEFN-62	Direct acting, spool type Direct acting, spool type	15 (4) 30 (8)	350 (5000) 350 (5000)	Cartridge Cartridge	SAE-08-3N SAE-10-3N	15.28.850 15.28.890
	CECS-015-SEFN-63 CECS-030-SEFN-63	Direct acting, spool type Direct acting, spool type	15 (4) 30 (8)	350 (5000) 350 (5000)	Cartridge Cartridge	SAE-08-3N SAE-10-3N	15.29.860 15.29.900
	CECS-015-SEFN-64 CECS-030-SEFN-64	Direct acting, spool type Direct acting, spool type	15 (4) 30 (8)	350 (5000) 350 (5000)	Cartridge Cartridge	SAE-08-3N SAE-10-3N	15.30.870 15.30.910
	CECD-020-SEFN-66 CECD-030-SEFN-66	Direct acting, spool type Direct acting, spool type	20 (5) 30 (8)	350 (5000) 350 (5000)	Cartridge Cartridge	SAE-08-3N SAE-10-3N	15.31.920 15.31.930
	CEDS-015-SEFN-40 CEDS-030-SEFN-40	Direct acting, spool type Direct acting, spool type	15 (4) 30 (8)	350 (5000) 350 (5000)	Cartridge Cartridge	SAE-08-4N SAE-10-4N	15.32.940 15.32.980
	CEDS-015-SEFN-49	Direct acting, spool type	15 (4)	350 (5000)	Cartridge	SAE-08-4N	15.33.950
	CEDS-015-SEFN-41 CEDS-030-SEFN-41	Direct acting, spool type Direct acting, spool type	15 (4) 30 (8)	350 (5000) 350 (5000)	Cartridge Cartridge	SAE-08-4N SAE-10-4N	15.34.960 15.34.990
	CEDS-015-SEFN-43 CEDS-030-SEFN-43	Direct acting, spool type Direct acting, spool type	15 (4) 30 (8)	350 (5000) 350 (5000)	Cartridge Cartridge	SAE-08-4N SAE-10-4N	15.35.970 15.35.1000
	CEDS-030-SEFN-111	Direct acting, spool type	30 (8)	350 (5000)	Cartridge	SAE-10-4N	15.36.1010
	CEES-010-SEFN-51 CEES-030-SEFN-51	Direct acting, spool type Direct acting, spool type	10 (3) 30 (8)	350 (5000) 350 (5000)	Cartridge Cartridge	SAE-08-4N SAE-10-4N	15.37.1020 15.37.1060
	CEES-010-SEFN-52 CEES-030-SEFN-52	Direct acting, spool type Direct acting, spool type	10 (3) 30 (8)	350 (5000) 350 (5000)	Cartridge Cartridge	SAE-08-4N SAE-10-4N	15.38.1030 15.38.1070
	CEES-010-SEFN-53 CEES-030-SEFN-53	Direct acting, spool type Direct acting, spool type	10 (3) 30 (8)	350 (5000) 350 (5000)	Cartridge Cartridge	SAE-08-4N SAE-10-4N	15.39.1040 15.39.1080
	CEES-010-SEFN-54 CEES-030-SEFN-54	Direct acting, spool type Direct acting, spool type	10 (3) 30 (8)	350 (5000) 350 (5000)	Cartridge Cartridge	SAE-08-4N SAE-10-4N	15.40.1050 15.40.1090

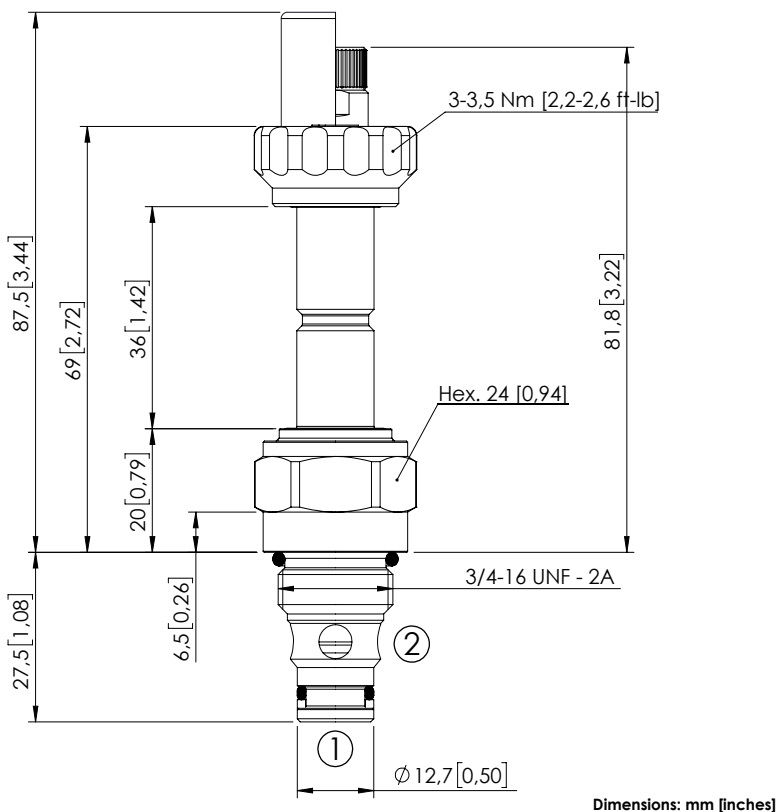
SOLENOID CARTRIDGES

Hydraulic scheme	Valve description	Valve type	Rated flow l/min (gpm)	Max. pressure bar (psi)	Installation	Main port size or cavity type	Page
	CEFS-010-SEFN-104	Direct acting, spool type	10 (3)	350 (5000)	Cartridge	SAE-08-5N	15.41.1100
	CEFS-030-SEFN-104	Direct acting, spool type	30 (8)	350 (5000)	Cartridge	SAE-10-5N	15.41.1150
	CEFS-010-SEFN-106	Direct acting, spool type	10 (3)	350 (5000)	Cartridge	SAE-08-5N	15.42.1110
	CEFS-030-SEFN-106	Direct acting, spool type	30 (8)	350 (5000)	Cartridge	SAE-10-5N	15.42.1160
	CEFS-010-SEFN-107	Direct acting, spool type	10 (3)	350 (5000)	Cartridge	SAE-08-5N	15.43.1120
	CEFS-030-SEFN-107	Direct acting, spool type	30 (8)	350 (5000)	Cartridge	SAE-10-5N	15.43.1170
	CEFS-010-SEFN-108	Direct acting, spool type	10 (3)	350 (5000)	Cartridge	SAE-08-5N	15.44.1130
	CEFS-030-SEFN-108	Direct acting, spool type	30 (8)	350 (5000)	Cartridge	SAE-10-5N	15.44.1180
	CEFS-010-SEFN-115	Direct acting, spool type	10 (3)	350 (5000)	Cartridge	SAE-08-5N	15.45.1140
	CEFS-030-SEFN-115	Direct acting, spool type	30 (8)	350 (5000)	Cartridge	SAE-10-5N	15.45.1190

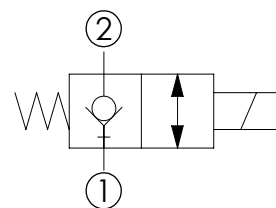
SOLENOID OPERATED CARTRIDGE

CEBD-001-NCFN-15

DIRECT OPERATED
POPPEI TYPE



Dimensions: mm [inches]



SPECIFICATIONS

Max. operating pressure:	350/500 bar (5000/7200 psi)
Rated flow:	1,5 l/min (0,4 gpm)
Cavity:	SAE-08-2N
Weight:	0,15 kg (0,33 lbs)
Min. voltage required:	90% of nominal
Coil type:	M7 or M3 type
Ambient temperature:	-20/+50 °C (-4/+122 °F)
Contamination class to ISO 4406:	See technical spec.
Seal kit:	RA900081
Installation torque:	45 - 50 Nm (33 - 37 ft-lb)
MTTF:	150 - 1200 years: See technical spec.

NOTES

For other configurations/quick codes not available in this catalogue page please consult factory

PATENT PENDING

CURVES

OPTIONS

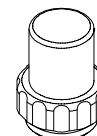
Standard



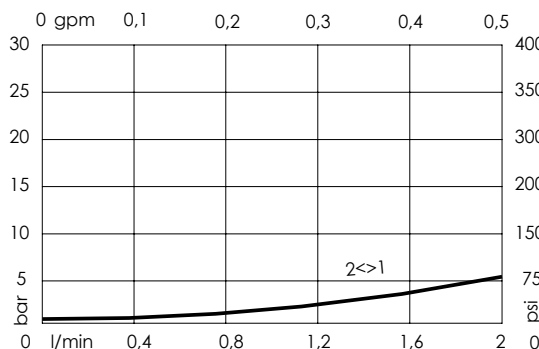
Knob style
override



SEALING CAP



Ordering code:
AT000113



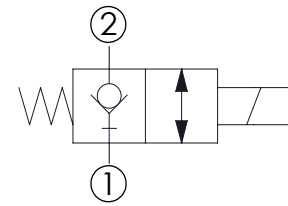
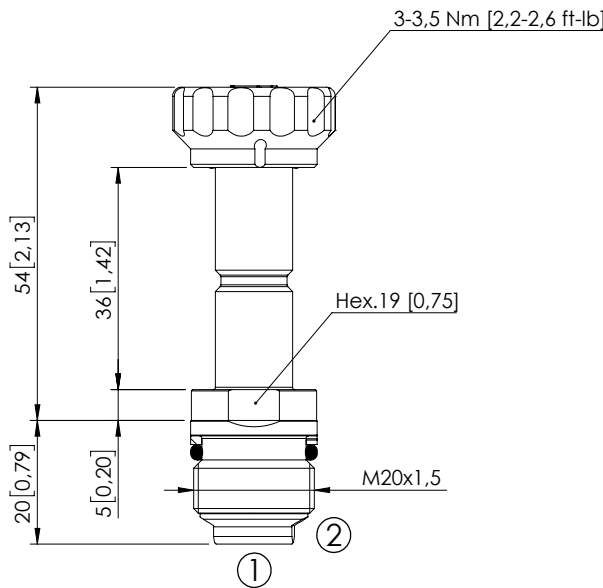
ORDERING CODES

Quick code	Description	Options	Max operating pressure
CE000200	CEBD-001-NCFN-15-S08-N350	Standard	350 bar (5000 psi)
CE000201	CEBD-001-NCFK-15-S08-N350	Knob style override	350 bar (5000 psi)
CE000500	CEBD-001-NCFN-15-S08-N500	Standard	500 bar (7200 psi)
CE000501	CEBD-001-NCFK-15-S08-N500	Knob style override	500 bar (7200 psi)

SOLENOID OPERATED CARTRIDGE

CEBD-001-NCFN-15

DIRECT OPERATED
POPPET TYPE



SPECIFICATIONS

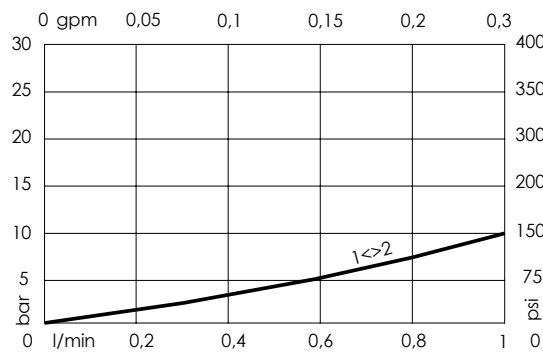
Max. operating pressure:	350 bar (5000 psi)
Rated flow:	1 l/min (0,3 gpm)
Cavity:	VP000445
Weight:	0,1 kg (0,3 lbs)
Min. voltage required:	90% of nominal
Coil type:	M7 or M3 type
Ambient temperature:	-20/+50 °C (-4/+122 °F)
Contamination class to ISO 4406:	See technical spec.
Seal kit:	RC700445
Installation torque:	40 - 45 Nm (30 - 33 ft-lb)
MTF _d :	150 - 1200 years: See technical spec.

Dimensions: mm [inches]

NOTES

For other configurations/quick codes not available in this catalogue page please consult factory

CURVES



ORDERING CODES

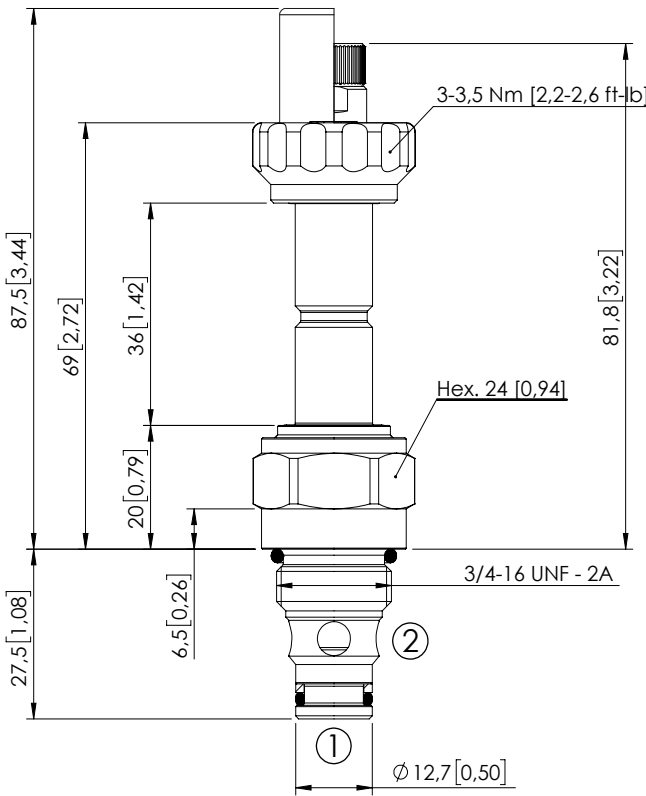
Quick code	Description	Options	Max operating pressure
CE000870	CEBD-001-NCFN-15-445-N350	Standard	350 bar (5000 psi)

Revision C1

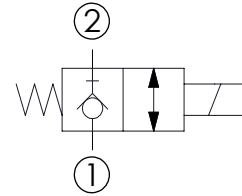
SOLENOID OPERATED CARTRIDGE



CEBD-001-NCFN-16 DIRECT OPERATED POPPET TYPE



Dimensions: mm [inches]



SPECIFICATIONS

Max. operating pressure:	350/500 bar (5000/7200 psi)
Rated flow:	1,5 l/min (0,4 gpm)
Cavity:	SAE-08-2N
Weight:	0,15 kg (0,33 lbs)
Min. voltage required:	90% of nominal
Coil type:	M7 or M3 type
Ambient temperature:	-20/+50 °C (-4/+122 °F)
Contamination class to ISO 4406:	See technical spec.
Seal kit:	RA900081
Installation torque:	45 - 50 Nm (33 - 37 ft-lb)
MTTF:	150 - 1200 years: See technical spec.

NOTES

For other configurations/quick codes not available in this catalogue page please consult factory

PATENT PENDING

OPTIONS

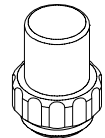
Standard



Knob style override

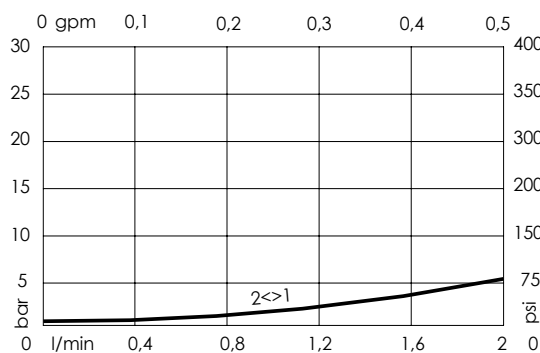


SEALING CAP



Ordering code:
AT000113

CURVES



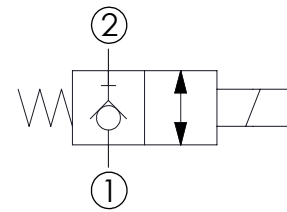
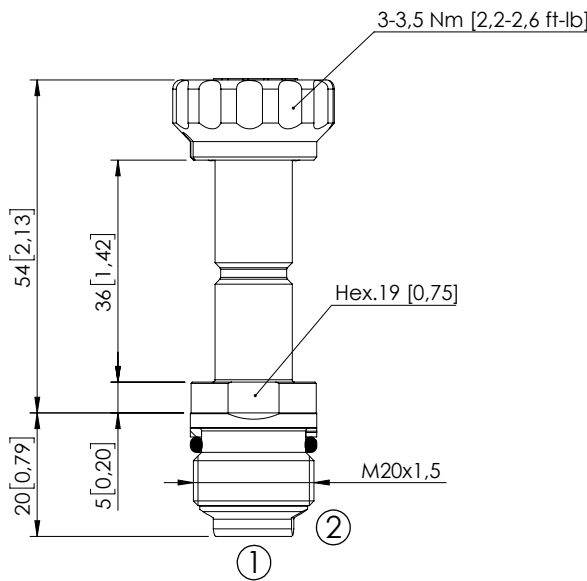
ORDERING CODES

Quick code	Description	Options	Max operating pressure
CE000202	CEBD-001-NCFN-16-S08-N350	Standard	350 bar (5000 psi)
CE000203	CEBD-001-NCFK-16-S08-N350	Knob style override	350 bar (5000 psi)
CE000502	CEBD-001-NCFN-16-S08-N500	Standard	500 bar (7200 psi)
CE000503	CEBD-001-NCFK-16-S08-N500	Knob style override	500 bar (7200 psi)

SOLENOID OPERATED CARTRIDGE

CEBD-001-NCFN-16

DIRECT OPERATED
POPPET TYPE



SPECIFICATIONS

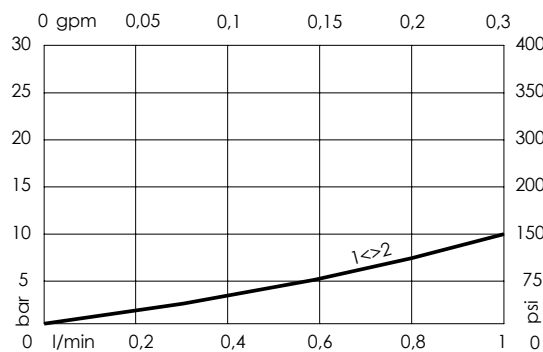
Max. operating pressure:	350 bar (5000 psi)
Rated flow:	1 l/min (0,3 gpm)
Cavity:	VP000445
Weight:	0,1 kg (0,3 lbs)
Min. voltage required:	90% of nominal
Coil type:	M7 or M3 type
Ambient temperature:	-20/+50 °C (-4/+122 °F)
Contamination class to ISO 4406:	See technical spec.
Seal kit:	RC700445
Installation torque:	40 - 45 Nm (30 - 33 ft-lb)
MTF _a :	150 - 1200 years: See technical spec.

Dimensions: mm [inches]

NOTES

For other configurations/quick codes not available in this catalogue page please consult factory

CURVES



ORDERING CODES

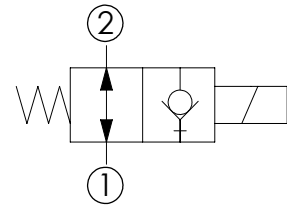
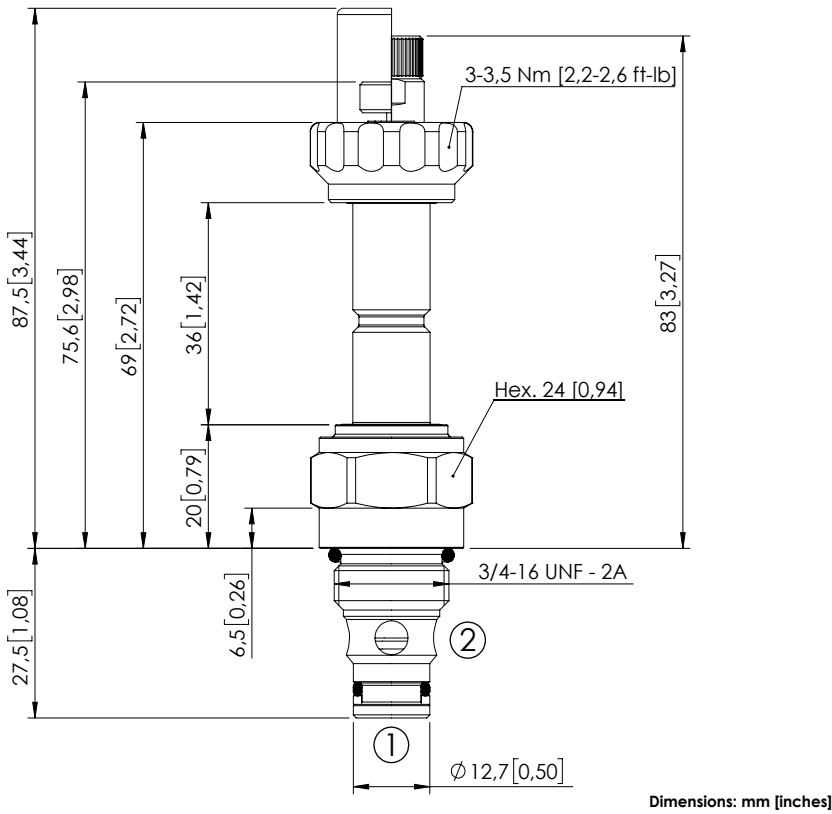
Quick code	Description	Options	Max operating pressure
CE000871	CEBD-001-NCFN-16-445-N350	Standard	350 bar (5000 psi)

SOLENOID OPERATED CARTRIDGE



CEBD-001-NAFN-13

DIRECT OPERATED
POPPEI TYPE



SPECIFICATIONS


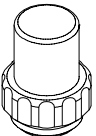


Max. operating pressure:	350/500 bar (5000/7200 psi)
Rated flow:	1,5 l/min (0,4 gpm)
Cavity:	SAE-08-2N
Weight:	0,15 kg (0,33 lbs)
Min. voltage required:	90% of nominal
Coil type:	M7 or M3 type
Ambient temperature:	-20/+50 °C (-4/+122 °F)
Contamination class to ISO 4406:	See technical spec.
Seal kit:	RA900081
Installation torque:	45 - 50 Nm (33 - 37 ft-lb)
MTTF:	150 - 1200 years: See technical spec.

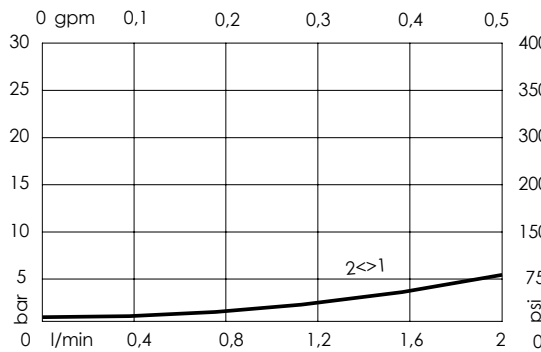
NOTES

For other configurations/quick codes not available in this catalogue page please consult factory

PATENT PENDING

CURVES

OPTIONS	SEALING CAP
Standard 	 Ordering code: AT000113
Push style override 	
Knob style override 	



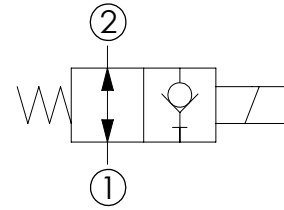
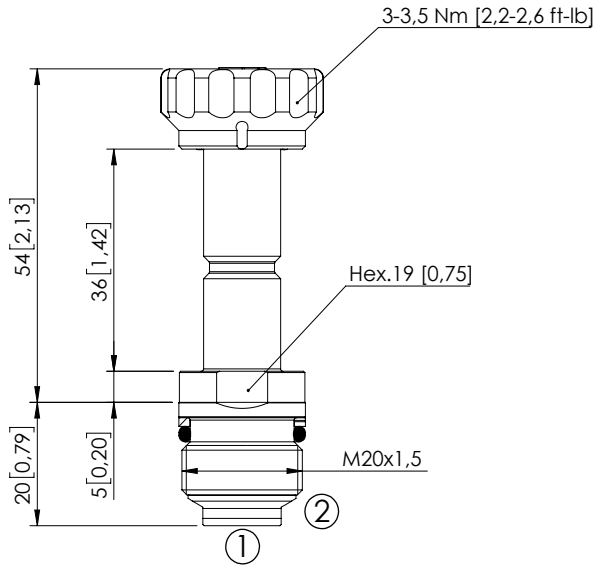
ORDERING CODES

Quick code	Description	Options	Max operating pressure
CE000204	CEBD-001-NAFN-13-S08-N350	Standard	350 bar (5000 psi)
CE000205	CEBD-001-NAFP-13-S08-N350	Push style override	350 bar (5000 psi)
CE000206	CEBD-001-NAFK-13-S08-N350	Knob style override	350 bar (5000 psi)
CE000504	CEBD-001-NAFN-13-S08-N500	Standard	500 bar (7200 psi)
CE000505	CEBD-001-NAFP-13-S08-N500	Push style override	500 bar (7200 psi)
CE000506	CEBD-001-NAFK-13-S08-N500	Knob style override	500 bar (7200 psi)

SOLENOID OPERATED CARTRIDGE

CEBD-001-NAFN-13

DIRECT OPERATED
POPPET TYPE



SPECIFICATIONS

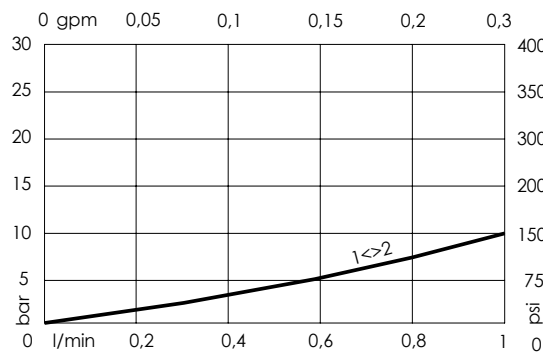
Max. operating pressure:	350 bar (5000 psi)
Rated flow:	1 l/min (0,3 gpm)
Cavity:	VP000445
Weight:	0,1 kg (0,3 lbs)
Min. voltage required:	90% of nominal
Coil type:	M7 or M3 type
Ambient temperature:	-20/+50 °C (-4/+122 °F)
Contamination class to ISO 4406:	See technical spec.
Seal kit:	RC700445
Installation torque:	40 - 45 Nm (30 - 33 ft-lb)
MTF _d :	150 - 1200 years: See technical spec.

Dimensions: mm [inches]

NOTES

For other configurations/quick codes not available in this catalogue page please consult factory

CURVES



ORDERING CODES

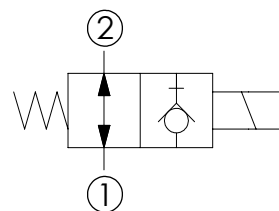
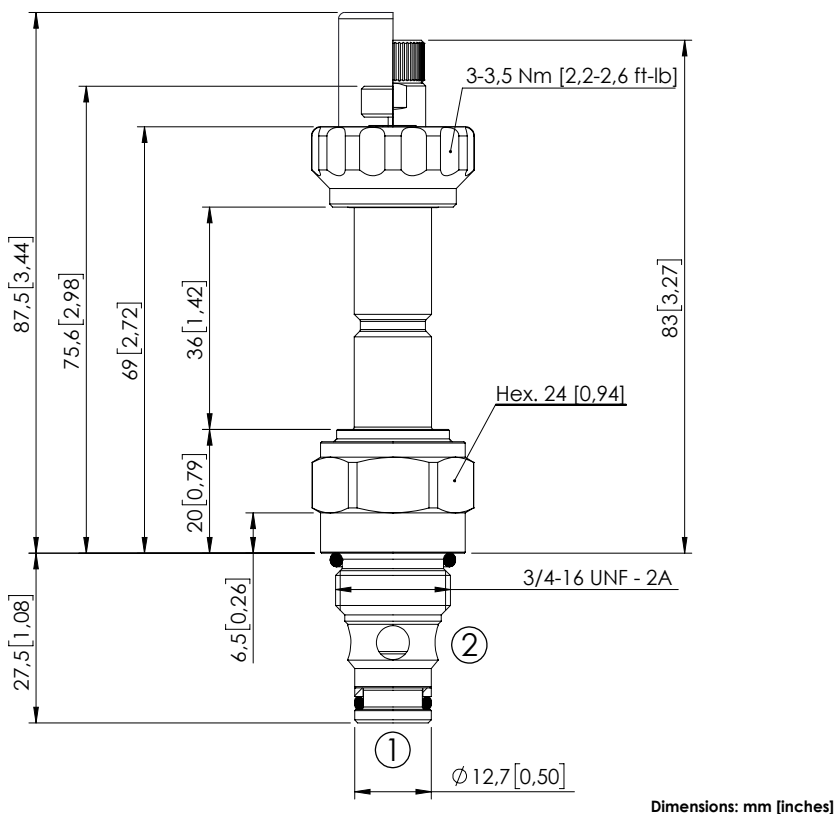
Quick code	Description	Options	Max operating pressure
CE000872	CEBD-001-NAFN-13-445-N350	Standard	350 bar (5000 psi)

Revision C1

SOLENOID OPERATED CARTRIDGE

CEBD-001-NAFN-14

DIRECT OPERATED
POPPEI TYPE



SPECIFICATIONS

Max. operating pressure:	350/500 bar (5000/7200 psi)
Rated flow:	1,5 l/min (0,4 gpm)
Cavity:	SAE-08-2N
Weight:	0,15 kg (0,33 lbs)
Min. voltage required:	90% of nominal
Coil type:	M7 or M3 type
Ambient temperature:	-20/+50 °C (-4/+122 °F)
Contamination class to ISO 4406:	See technical spec.
Seal kit:	RA900081
Installation torque:	45 - 50 Nm (33 - 37 ft.-lb)
MTTF:	150 - 1200 years: See technical spec.




NOTES

For other configurations/quick codes not available in this catalogue page please consult factory

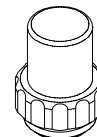
PATENT PENDING

CURVES

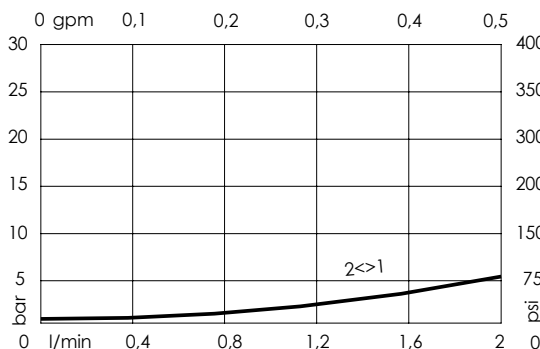
OPTIONS

- Standard 
- Push style override 
- Knob style override 

SEALING CAP



Ordering code:
AT000113



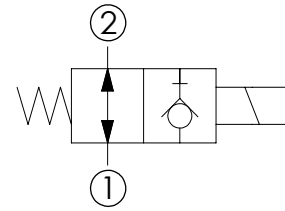
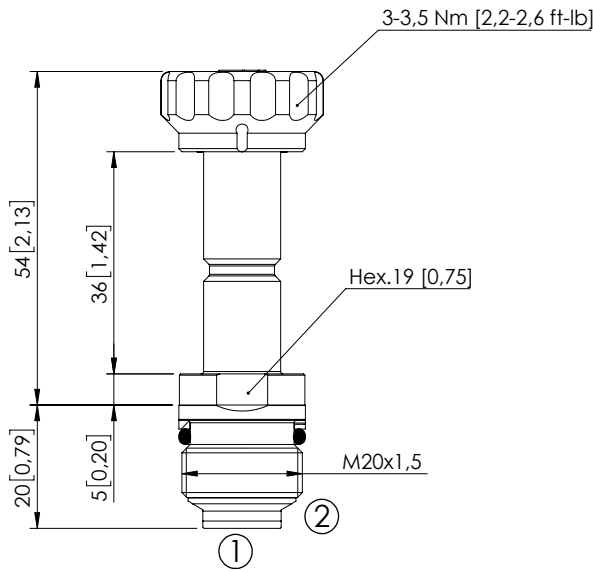
ORDERING CODES

Quick code	Description	Options	Max operating pressure
CE000207	CEBD-001-NAFN-14-S08-N350	Standard	350 bar (5000 psi)
CE000208	CEBD-001-NAFP-14-S08-N350	Push style override	350 bar (5000 psi)
CE000209	CEBD-001-NAFK-14-S08-N350	Knob style override	350 bar (5000 psi)
CE000507	CEBD-001-NAFN-14-S08-N500	Standard	500 bar (7200 psi)
CE000508	CEBD-001-NAFP-14-S08-N500	Push style override	500 bar (7200 psi)
CE000509	CEBD-001-NAFK-14-S08-N500	Knob style override	500 bar (7200 psi)

SOLENOID OPERATED CARTRIDGE

CEBD-001-NAFN-14

DIRECT OPERATED
POPPET TYPE



SPECIFICATIONS

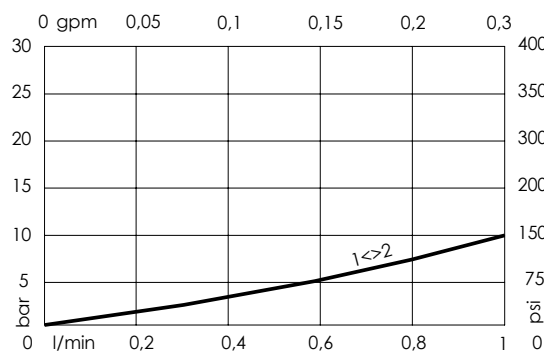
Max. operating pressure:	350 bar (5000 psi)
Rated flow:	1 l/min (0,3 gpm)
Cavity:	VP000445
Weight:	0,1 kg (0,3 lbs)
Min. voltage required:	90% of nominal
Coil type:	M7 or M3 type
Ambient temperature:	-20/+50 °C (-4/+122 °F)
Contamination class to ISO 4406:	See technical spec.
Seal kit:	RC700445
Installation torque:	40 - 45 Nm (30 - 33 ft-lb)
MTTF _d :	150 - 1200 years: See technical spec.

Dimensions: mm [inches]

NOTES

For other configurations/quick codes not available in this catalogue page please consult factory

CURVES



ORDERING CODES

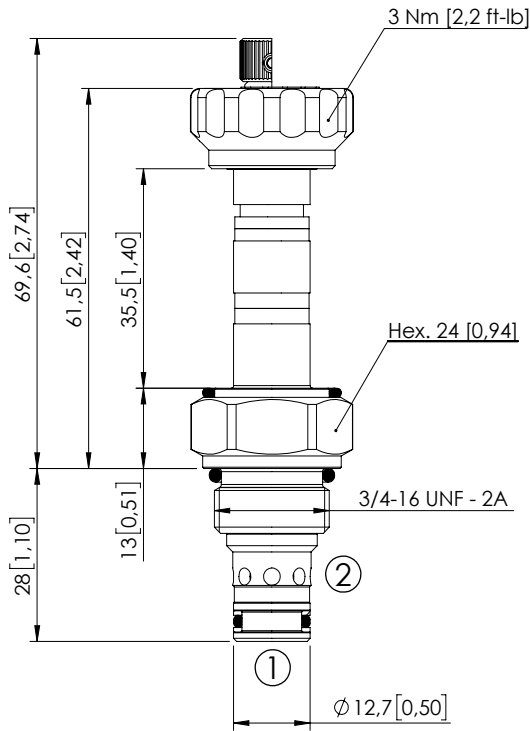
Quick code	Description	Options	Max operating pressure
CE000873	CEBD-001-NAFN-14-445-N350	Standard	350 bar (5000 psi)

Revision C1

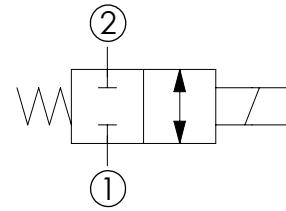
SOLENOID OPERATED CARTRIDGE

CEBS-010-NCFN-22

DIRECT OPERATED
SPOOL TYPE



Dimensions: mm [inches]



SPECIFICATIONS

Max. operating pressure:	210 bar (3000 psi)
Rated flow:	10 l/min (3 gpm)
Cavity:	SAE-08-2N
Weight:	0,12 kg (0,26 lbs)
Min. voltage required:	90% of nominal
Coil type:	M7 or M3 type
Ambient temperature:	-20/+50 °C (-4/+122 °F)
Contamination class to ISO 4406:	See technical spec.
Seal kit:	RB700081
Installation torque:	45 - 50 Nm (33 - 37 ft-lb)
MTF _d :	150 - 1200 years: See technical spec.

NOTES

For other configurations/quick codes not available in this catalogue page please consult factory

OPTIONS

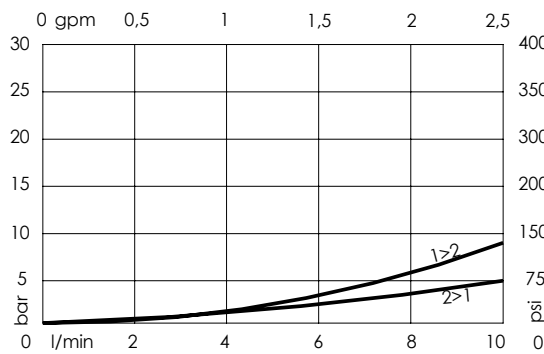
Standard



Knob style override



CURVES



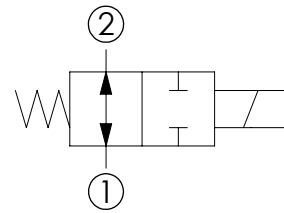
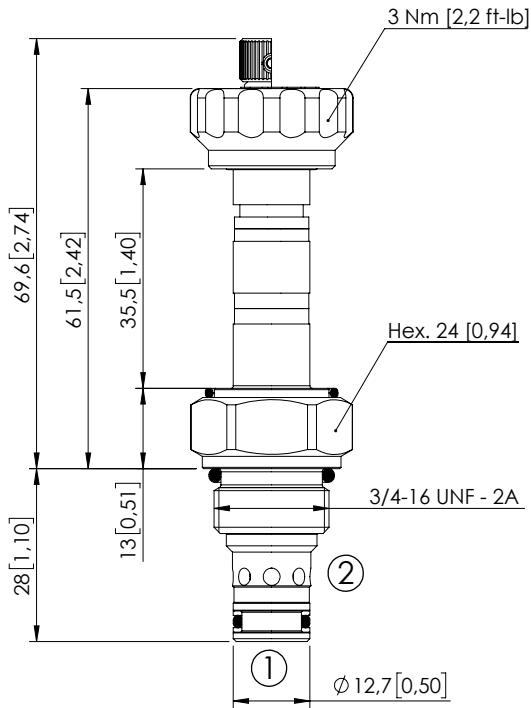
ORDERING CODES

Quick code	Description	Options	Max operating pressure
CE000092	CEBS-010-NCFN-22-S08-N210	Standard	210 bar (3000 psi)
CE000093	CEBS-010-NCFE-22-S08-N210	Knob style override	210 bar (3000 psi)

SOLENOID OPERATED CARTRIDGE

CEBS-010-NAFN-23

DIRECT OPERATED
SPOOL TYPE



SPECIFICATIONS

Max. operating pressure:	210 bar (3000 psi)
Rated flow:	10 l/min (3 gpm)
Cavity:	SAE-08-2N
Weight:	0,12 kg (0,26 lbs)
Min. voltage required:	90% of nominal
Coil type:	M7 or M3 type
Ambient temperature:	-20/+50 °C (-4/+122 °F)
Contamination class to ISO 4406:	See technical spec.
Seal kit:	RB700081
Installation torque:	45 - 50 Nm (33 - 37 ft-lb)
MTF _d :	150 - 1200 years: See technical spec.

Dimensions: mm [inches]

NOTES

For other configurations/quick codes not available in this catalogue page please consult factory

OPTIONS

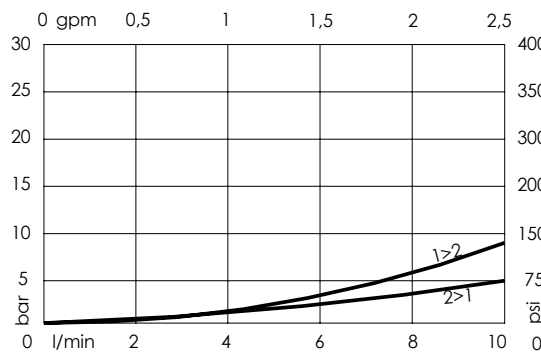
Standard



Knob style override



CURVES



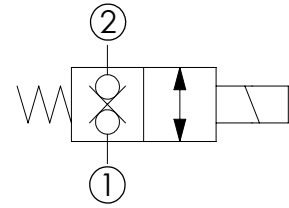
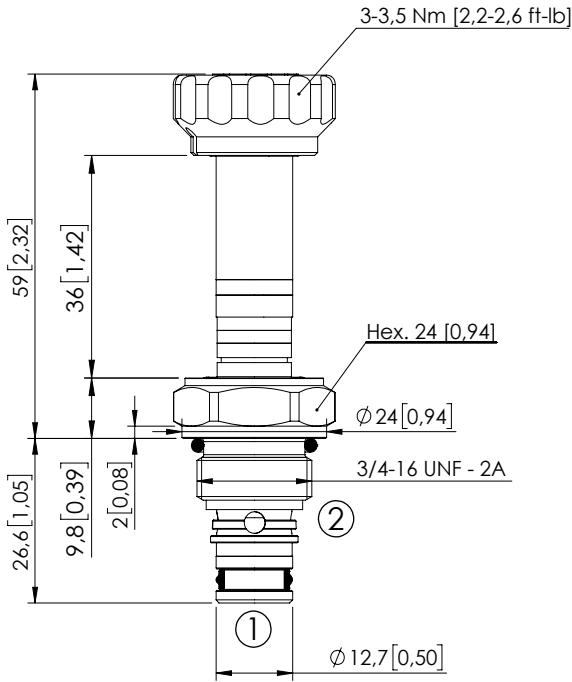
ORDERING CODES

Quick code	Description	Options	Max operating pressure
CE000090	CEBS-010-NAFN-23-S08-N210	Standard	210 bar (3000 psi)
CE000091	CEBS-010-NAFE-23-S08-N210	Knob style override	210 bar (3000 psi)

SOLENOID OPERATED CARTRIDGE

CEBD-015-NCFN-21

DIRECT OPERATED
POPPEY TYPE



SPECIFICATIONS

Max. operating pressure:	350 bar (5000 psi)
Max. operating pressure on port 1:	280 bar (4000 psi)
Rated flow:	15 l/min (4 gpm)
Cavity:	SAE-08-2N
Weight:	0,1 kg (0,22 lbs)
Min. voltage required:	90% of nominal
Coil type:	M7 or M3 type
Ambient temperature:	-20/+50 °C (-4/+122 °F)
Contamination class to ISO 4406:	See technical spec.
Seal kit:	RA700081
Installation torque:	45 - 50 Nm (33 - 37 ft-lb)
MTF _d :	150 - 1200 years: See technical spec.

Dimensions: mm [inches]

NOTES

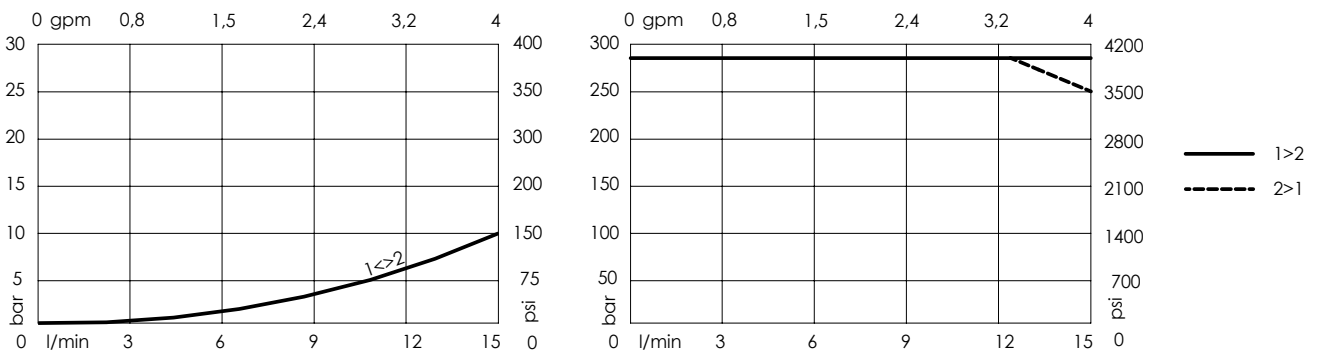
For other configurations/quick codes not available in this catalogue page please consult factory

OPTIONS

Standard



CURVES



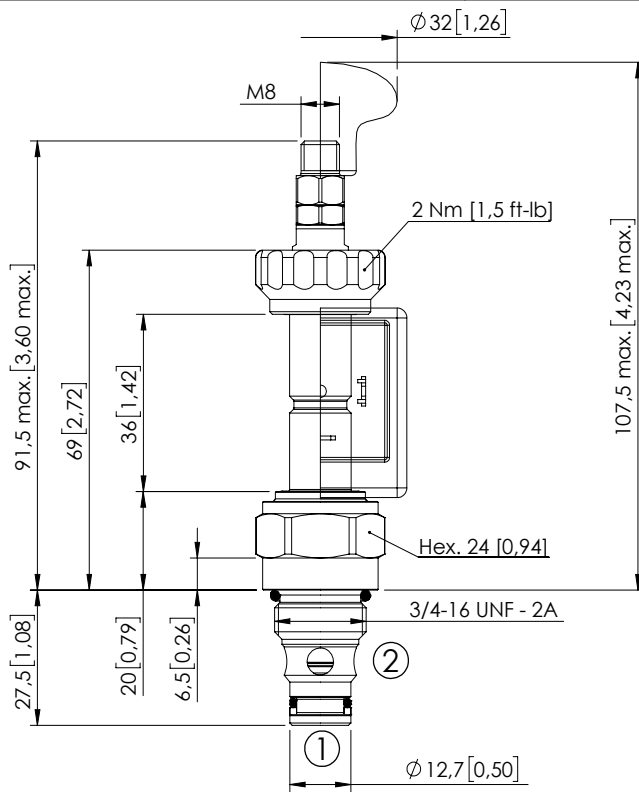
ORDERING CODES

Quick code	Description	Options
CE000966	CEBD-015-NCFN-21-S08-N350	Standard

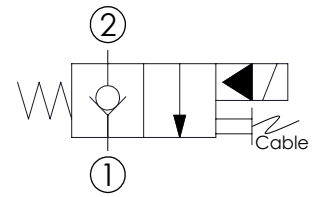
SOLENOID OPERATED CARTRIDGE

CEBN-060-NCFF-01

PILOT OPERATED
POPPET TYPE



Dimensions: mm [inches]



SPECIFICATIONS

Max. operating pressure:	350 bar (5000 psi)
Rated flow:	60 l/min (16 gpm)
Cavity:	SAE-08-2N
Weight:	0,16 kg (0,35 lbs)
Min. voltage required:	90% of nominal
Coil type:	M7 or M3 type
Ambient temperature:	-30/+50 °C (-22/+122 °F)
Contamination class to ISO 4406:	See technical spec.
Seal kit:	RA900081
Installation torque:	45 - 50 Nm (33 - 37 ft-lb)
MTF _a :	150 - 1200 years: See technical spec.

NOTES

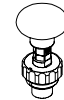
For other configurations/quick codes not available in this catalogue page please consult factory

OPTIONS

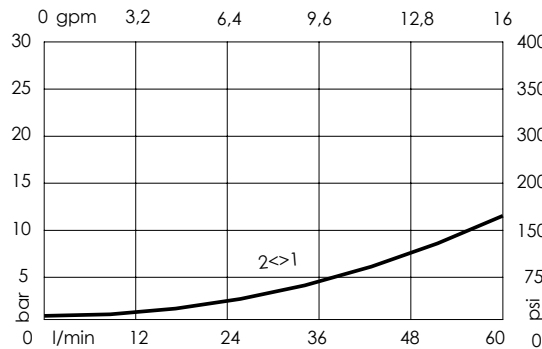
Cable override



Hand Operated



CURVES



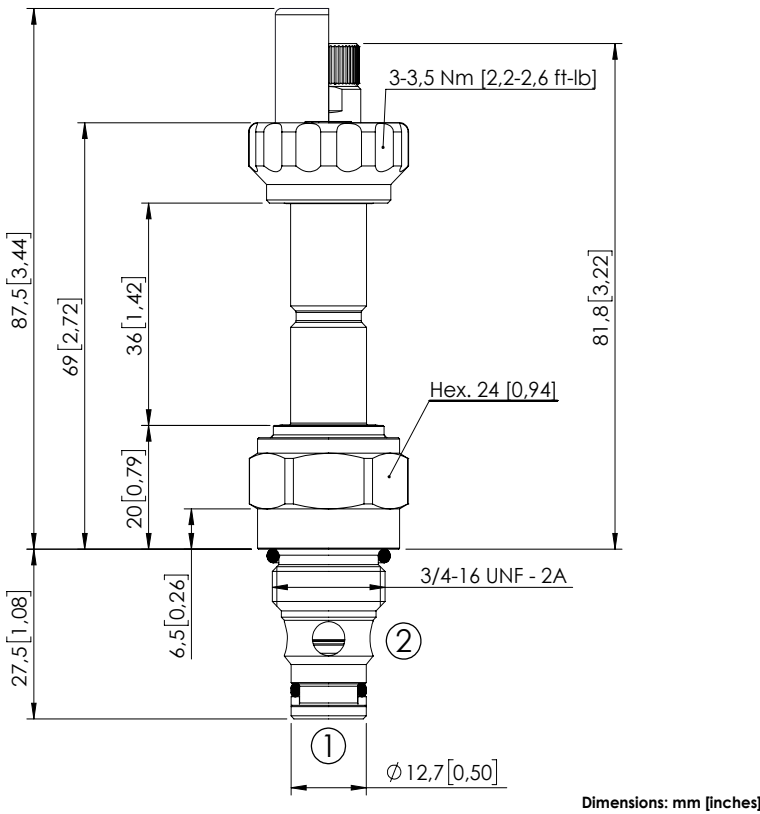
ORDERING CODES

Quick code	Description	Options	Max operating pressure	Connector	Voltage
CE000470	CEBN-060-NCFF-01-S08-N350	Cable override	350 bar (5000 psi)	No	No
CE001172	CEBN-060-NCFM-01-S08-N350-12HR	Hand Operated	350 bar (5000 psi)	DIN 43650	12V
CE001173	CEBN-060-NCFM-01-S08-N350-24HR	Hand Operated	350 bar (5000 psi)	DIN 43650	24V

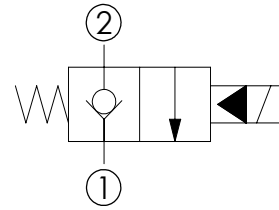
SOLENOID OPERATED CARTRIDGE

CEBN-060-NCFN-01

PILOT OPERATED
POPJET TYPE



Dimensions: mm [inches]



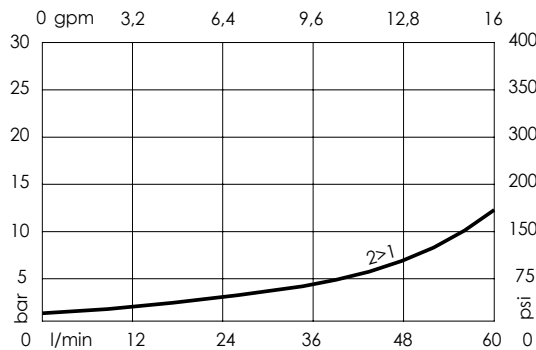
SPECIFICATIONS

Max. operating pressure:	350/500 bar (5000/7200 psi)
Rated flow:	60 l/min (16 gpm)
Cavity:	SAE-08-2N
Weight:	0,15 kg (0,33 lbs)
Min. voltage required:	90% of nominal
Coil type:	M7 or M3 type
Ambient temperature:	-20/+50 °C (-4/+122 °F)
Contamination class to ISO 4406:	See technical spec.
Seal kit:	RA900081
Installation torque:	45 - 50 Nm (33 - 37 ft-lb)
MTTF:	150 - 1200 years: See technical spec.

NOTES

For other configurations/quick codes not available in this catalogue page please consult factory
PATENT PENDING

CURVES



OPTIONS

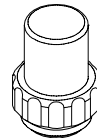
Standard



Knob style override



SEALING CAP



Ordering code:
AT000113

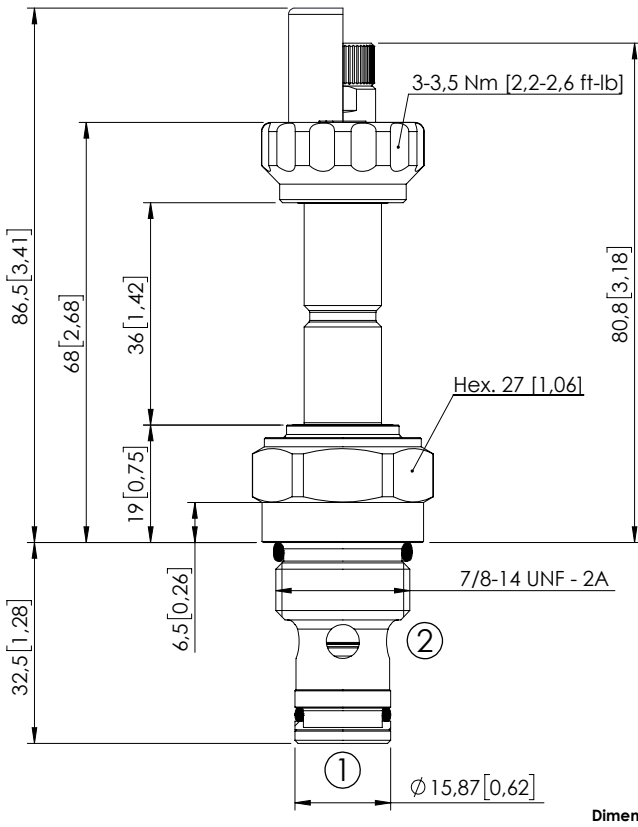
ORDERING CODES

Quick code	Description	Options	Max operating pressure
CE000210	CEBN-060-NCFN-01-S08-N350	Standard	350 bar (5000 psi)
CE000212	CEBN-060-NCFK-01-S08-N350	Knob style override	350 bar (5000 psi)
CE000510	CEBN-060-NCFN-01-S08-N500	Standard	500 bar (7200 psi)
CE000512	CEBN-060-NCFK-01-S08-N500	Knob style override	500 bar (7200 psi)

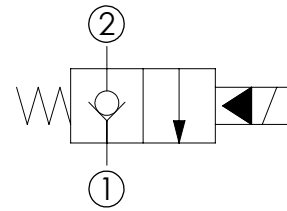
SOLENOID OPERATED CARTRIDGE

CEBN-080-NCFN-01

PILOT OPERATED
POPPET TYPE



Dimensions: mm [inches]



SPECIFICATIONS

Max. operating pressure:	350/500 bar (5000/7200 psi)
Rated flow:	80 l/min (21 gpm)
Cavity:	SAE-10-2N
Weight:	0,18 kg (0,40 lbs)
Min. voltage required:	90% of nominal
Coil type:	M7 or M3 type
Ambient temperature:	-20/+50 °C (-4/+122 °F)
Contamination class to ISO 4406:	See technical spec.
Seal kit:	RA900082
Installation torque:	55 - 62 Nm (401 - 46 ft-lb)
MTTF:	150 - 1200 years: See technical spec.

NOTES

For other configurations/quick codes not available in this catalogue page please consult factory
PATENT PENDING

OPTIONS

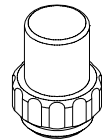
Standard



Knob style override

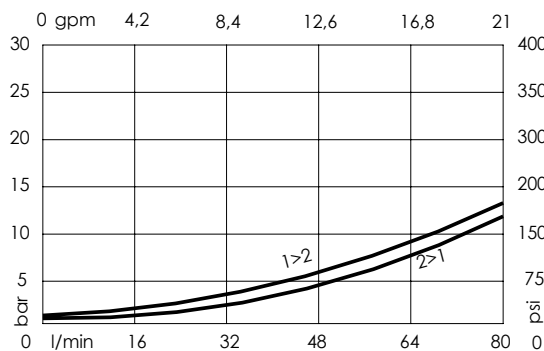


SEALING CAP



Ordering code:
AT000113

CURVES



ORDERING CODES

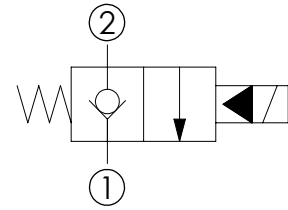
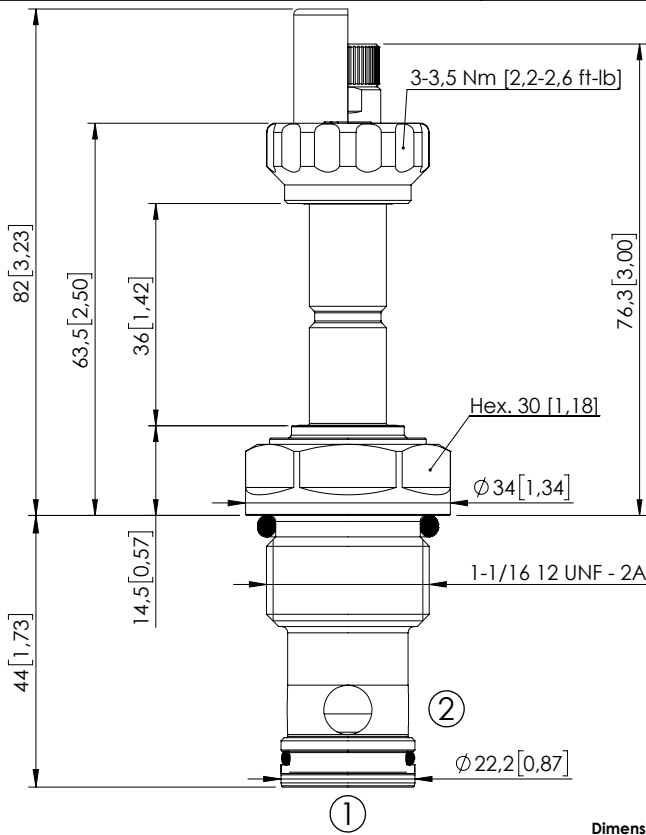
Quick code	Description	Options	Max operating pressure
CE000245	CEBN-080-NCFN-01-S10-N350	Standard	350 bar (5000 psi)
CE000247	CEBN-080-NCFK-01-S10-N350	Knob style override	350 bar (5000 psi)
CE000545	CEBN-080-NCFN-01-S10-N500	Standard	500 bar (7200 psi)
CE000547	CEBN-080-NCFK-01-S10-N500	Knob style override	500 bar (7200 psi)

SOLENOID OPERATED CARTRIDGE



CEBN-190-NCFN-01

PILOT OPERATED
POPPET TYPE



SPECIFICATIONS

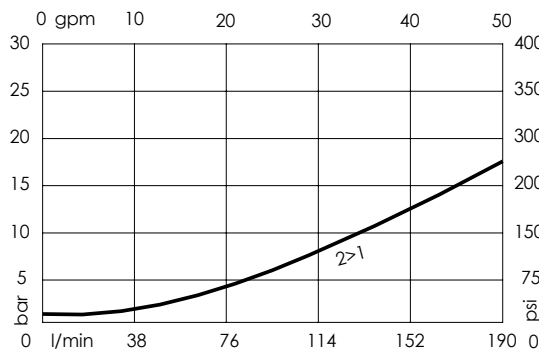
Max. operating pressure:	350/500 bar (5000/7200 psi)
Rated flow:	190 l/min (50 gpm)
Cavity:	SAE-12-2N
Weight:	0,25 kg (0,55 lbs)
Min. voltage required:	90% of nominal
Coil type:	M7 or M3 type
Ambient temperature:	-20/+50 °C (-4/+122 °F)
Contamination class to ISO 4406:	See technical spec.
Seal kit:	RA900083
Installation torque:	135 - 150 Nm (100 - 111 ft-lb)
MTTF:	150 - 1200 years: See technical spec.

NOTES

For other configurations/quick codes not available in this catalogue page please consult factory

PATENT PENDING

CURVES



OPTIONS

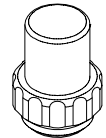
Standard



Knob style
override



SEALING CAP



Ordering code:
AT000113

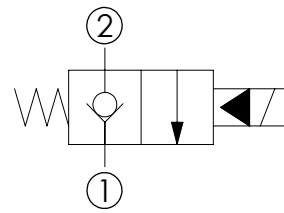
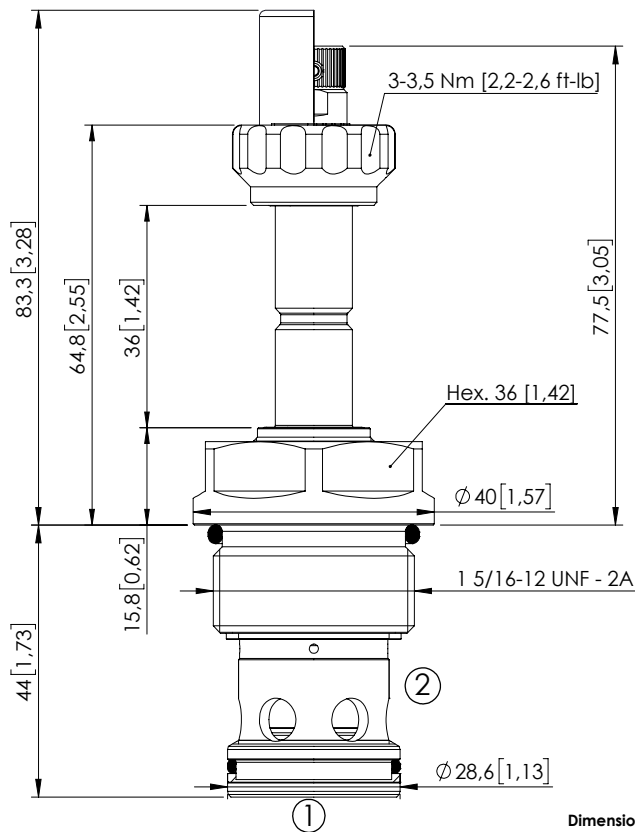
ORDERING CODES

Quick code	Description	Options	Max operating pressure
CE000315	CEBN-190-NCFN-01-S12-N350	Standard	350 bar (5000 psi)
CE000317	CEBN-190-NCFK-01-S12-N350	Knob style override	350 bar (5000 psi)
CE000615	CEBN-190-NCFN-01-S12-N500	Standard	500 bar (7200 psi)
CE000617	CEBN-190-NCFK-01-S12-N500	Knob style override	500 bar (7200 psi)

SOLENOID OPERATED CARTRIDGE

CEBN-310-NCFN-01

PILOT OPERATED
POPPET TYPE



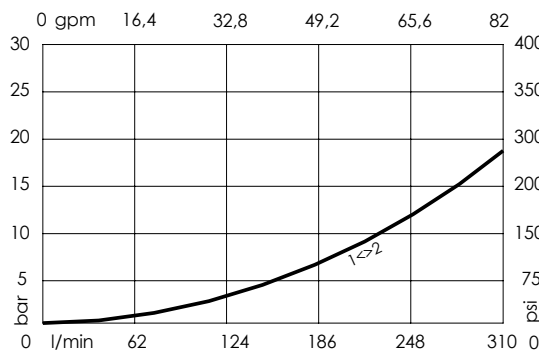
SPECIFICATIONS

Max. operating pressure:	350/500 bar (5000/7200 psi)
Rated flow:	310 l/min (82 gpm)
Cavity:	SAE-16-2N
Weight:	0,36 kg (0,79 lbs)
Min. voltage required:	90% of nominal
Coil type:	M7 or M3 type
Ambient temperature:	-20/+50 °C (-4/+122 °F)
Contamination class to ISO 4406:	See technical spec.
Seal kit:	RA900084
Installation torque:	200 - 210 Nm (148 - 155 ft-lb)
MTF _a :	150 - 1200 years: See technical spec.

NOTES

For other configurations/quick codes not available in this catalogue page please consult factory
PATENT PENDING

CURVES



OPTIONS

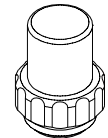
Standard



Knob style override



SEALING CAP



Ordering code:
AT000113

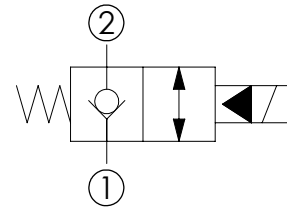
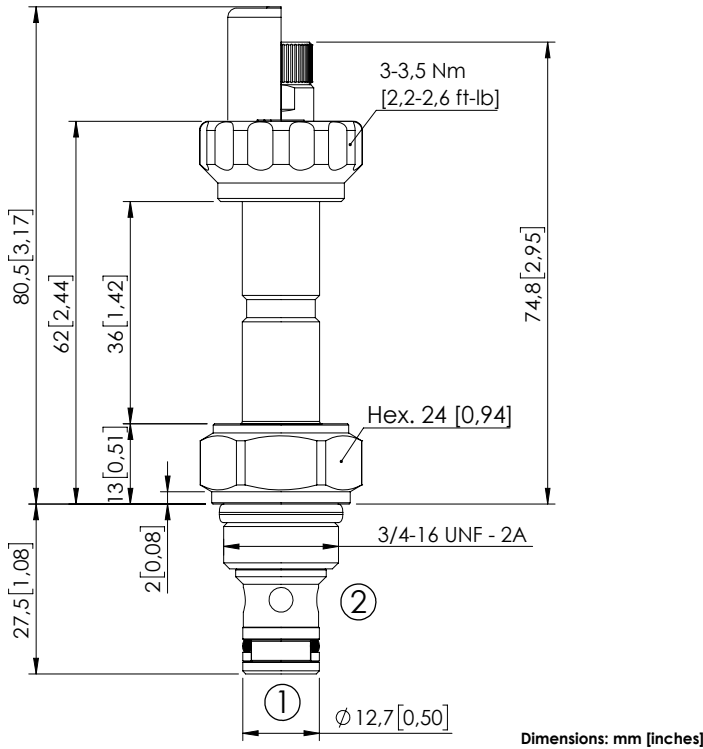
ORDERING CODES

Quick code	Description	Options	Max operating pressure
CE000385	CEBN-310-NCFN-01-S16-N350	Standard	350 bar (5000 psi)
CE000387	CEBN-310-NCFK-01-S16-N350	Knob style override	350 bar (5000 psi)
CE000685	CEBN-310-NCFN-01-S16-N500	Standard	500 bar (7200 psi)
CE000687	CEBN-310-NCFK-01-S16-N500	Knob style override	500 bar (7200 psi)

SOLENOID OPERATED CARTRIDGE

CEBE-040-NCFN-05

PILOT OPERATED
POPPET TYPE



SPECIFICATIONS

Max. operating pressure:	350 bar (5000 psi)
Rated flow:	40 l/min (11 gpm)
Cavity:	SAE-08-2N
Weight:	0,13 kg (0,29 lbs)
Min. voltage required:	90% of nominal
Coil type:	M7 or M3 type
Ambient temperature:	-20/+50 °C (-4/+122 °F)
Contamination class to ISO 4406:	See technical spec.
Seal kit:	RA900081
Installation torque:	45 - 50 Nm (33,2 - 36,9 ft-lb)
MTF _d :	150 - 1200 years: See technical spec.

NOTES

For other configurations/quick codes not available in this catalogue page please consult factory
PATENT PENDING

OPTIONS

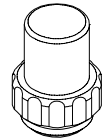
Standard



Knob style
override

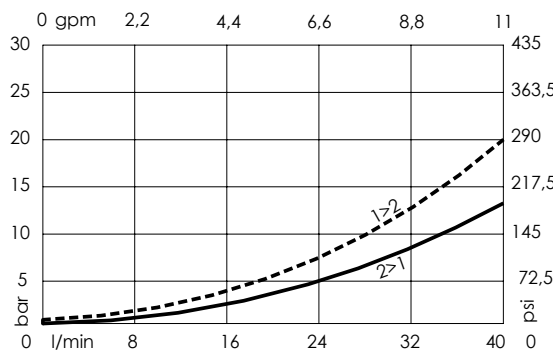


SEALING CAP



Ordering code:
AT000113

CURVES

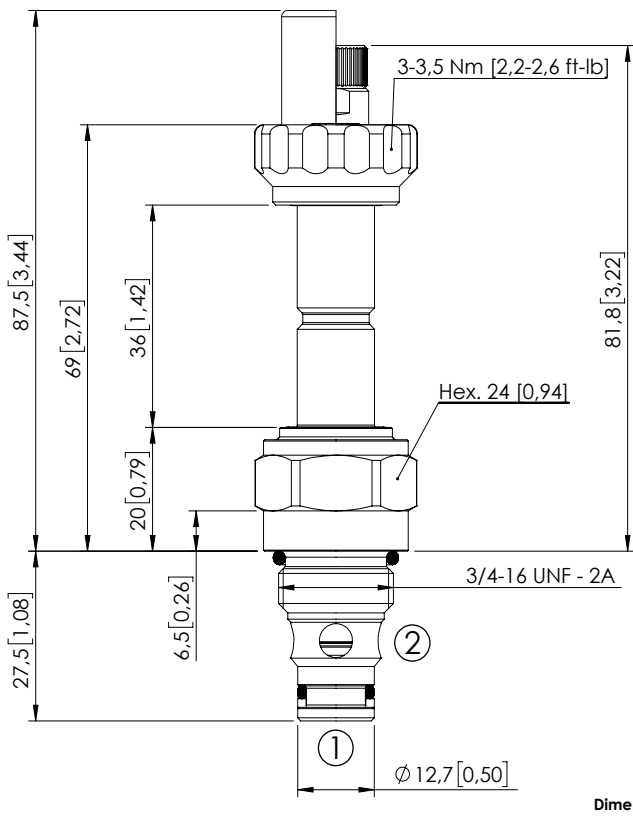


ORDERING CODES

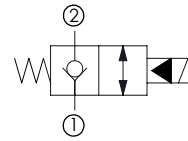
Quick code	Description	Options	Max operating pressure
CE001148	CEBE-040-NCFN-05-S08-N350	Standard	350 bar (5000 psi)
CE001149	CEBE-040-NCFK-05-S08-N350	Knob style override	350 bar (5000 psi)

SOLENOID OPERATED CARTRIDGE

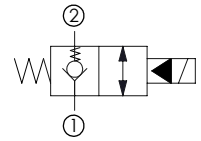
CEBN-060-NCFN-05 PILOT OPERATED POPPET TYPE



Dimensions: mm [inches]



With extra spring



SPECIFICATIONS

Max. operating pressure:	350/500 bar (5000/7200 psi)
Rated flow:	60 l/min (16 gpm)
Cavity:	SAE-08-2N
Weight:	0,15 kg (0,33 lbs)
Min. voltage required:	90% of nominal
Coil type:	M7 or M3 type
Ambient temperature:	-20/+50 °C (-4/+122 °F)
Contamination class to ISO 4406:	See technical spec.
Seal kit:	RA900081
Installation torque:	45 - 50 Nm (33 - 37 ft-lb)
MTF _d :	150 - 1200 years: See technical spec.

NOTES

For other configurations/quick codes not available in this catalogue page please consult factory

PATENT PENDING

OPTIONS

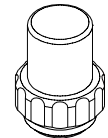
Standard



Knob style override

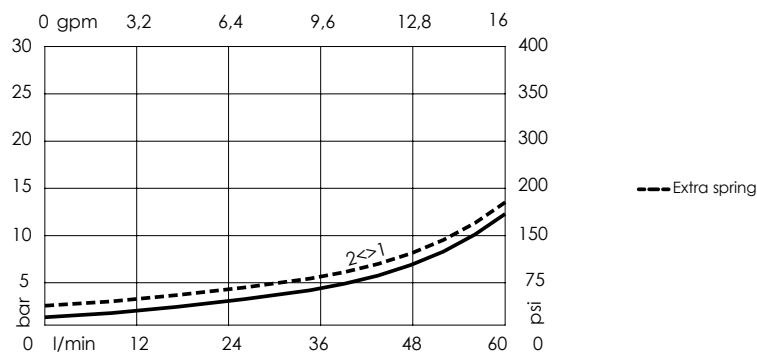


SEALING CAP



Ordering code:
AT000113

CURVES

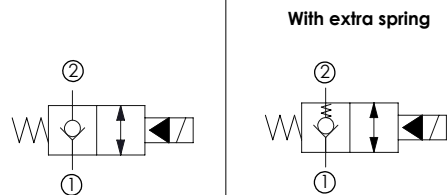
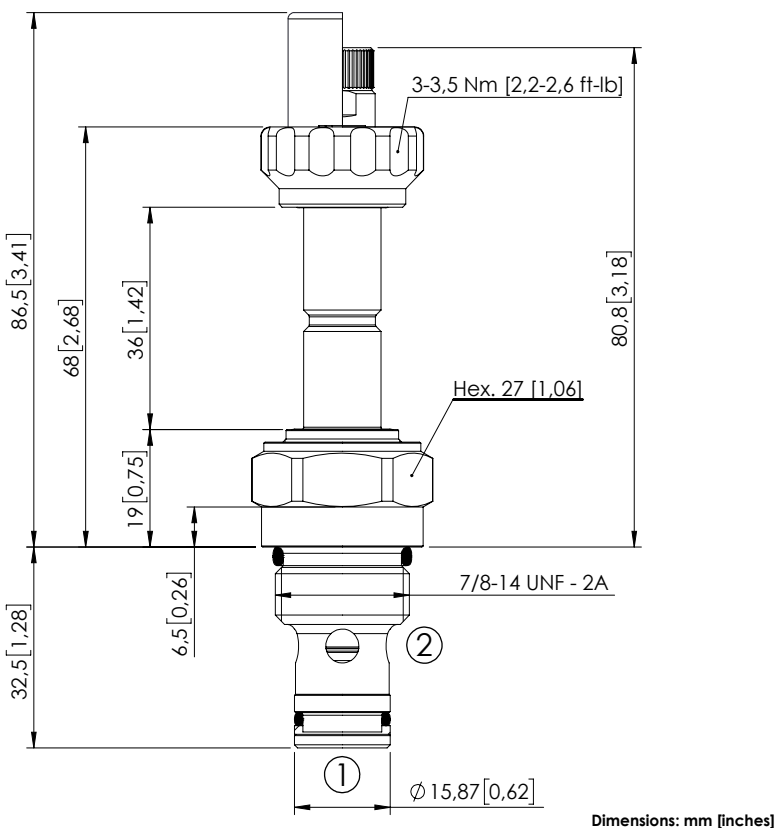


ORDERING CODES

Quick code	Description	Options	Max operating pressure	Extra Spring
CE000218	CEBN-060-NCFN-05-S08-N350	Standard	350 bar (5000 psi)	No
CE000220	CEBN-060-NCFK-05-S08-N350	Knob style override	350 bar (5000 psi)	No
CE000219	CEBN-060-XCFN-05-S08-N350	Standard	350 bar (5000 psi)	Yes
CE000221	CEBN-060-XCFK-05-S08-N350	Knob style override	350 bar (5000 psi)	Yes
CE000518	CEBN-060-NCFN-05-S08-N500	Standard	500 bar (7200 psi)	No
CE000520	CEBN-060-NCFK-05-S08-N500	Knob style override	500 bar (7200 psi)	No

SOLENOID OPERATED CARTRIDGE

CEBN-080-NCFN-05 PILOT OPERATED POPPET TYPE



SPECIFICATIONS

Max. operating pressure:	350/500 bar (5000/7200 psi)
Rated flow:	80 l/min (21 gpm)
Cavity:	SAE-10-2N
Weight:	0,18 kg (0,40 lbs)
Min. voltage required:	90% of nominal
Coil type:	M7 or M3 type
Ambient temperature:	-20/+50 °C (-4/+122 °F)
Contamination class to ISO 4406:	See technical spec.
Seal kit:	RA900082
Installation torque:	55 - 62 Nm (41 - 46 ft-lb)
MTF _d :	150 - 1200 years: See technical spec.

NOTES

For other configurations/quick codes not available in this catalogue page please consult factory

PATENT PENDING

OPTIONS

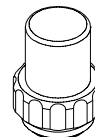
Standard



Knob style override

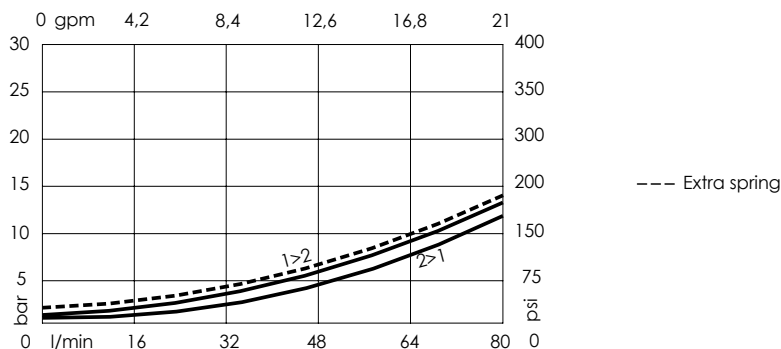


SEALING CAP



Ordering code:
AT000113

CURVES

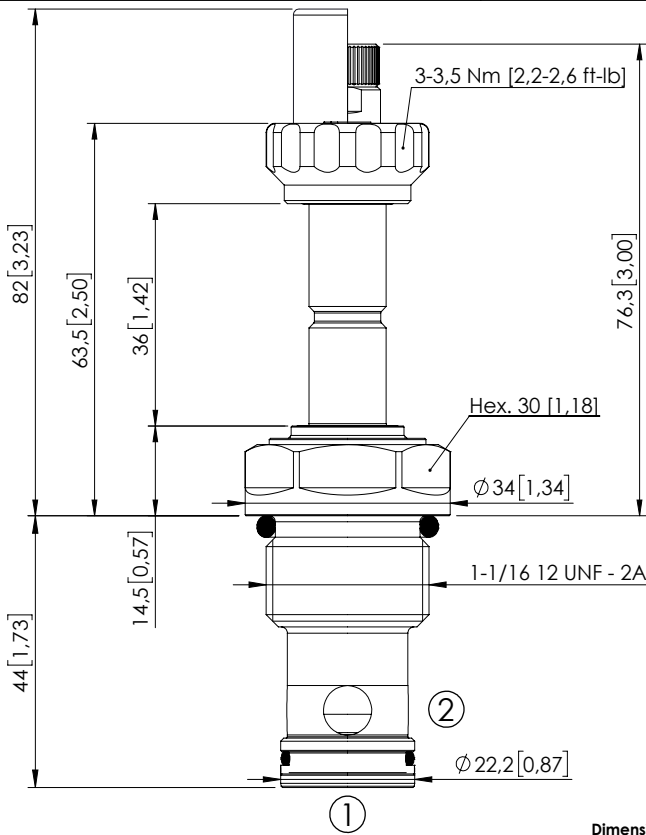


ORDERING CODES

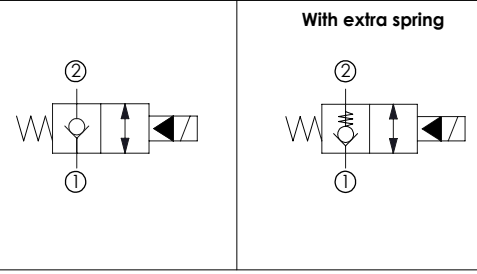
Quick code	Description	Options	Max operating pressure	Extra Spring
CE000253	CEBN-080-NCFN-05-S10-N350	Standard	350 bar (5000 psi)	No
CE000255	CEBN-080-NCFK-05-S10-N350	Knob style override	350 bar (5000 psi)	No
CE000254	CEBN-080-XCFN-05-S10-N350	Standard	350 bar (5000 psi)	Yes
CE000256	CEBN-080-XCFK-05-S10-N350	Knob style override	350 bar (5000 psi)	Yes
CE000553	CEBN-080-NCFN-05-S10-N500	Standard	500 bar (7200 psi)	No
CE000555	CEBN-080-NCFK-05-S10-N500	Knob style override	500 bar (7200 psi)	No

SOLENOID OPERATED CARTRIDGE

CEBN-190-NCFN-05 PILOT OPERATED POPPET TYPE



Dimensions: mm [inches]



SPECIFICATIONS

Max. operating pressure:	350/500 bar (5000/7200 psi)
Rated flow:	190 l/min (50 gpm)
Cavity:	SAE-12-2N
Weight:	0,25 kg (0,55 lbs)
Min. voltage required:	90% of nominal
Coil type:	M7 or M3 type
Ambient temperature:	-20/+50 °C (-4/+122 °F)
Contamination class to ISO 4406:	See technical spec.
Seal kit:	RA900083
Installation torque:	135 - 150 Nm (100 - 111 ft-lb)
MTTF:	150 - 1200 years: See technical spec.

NOTES

For other configurations/quick codes not available in this catalogue page please consult factory

PATENT PENDING

OPTIONS

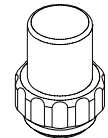
Standard



Knob style override

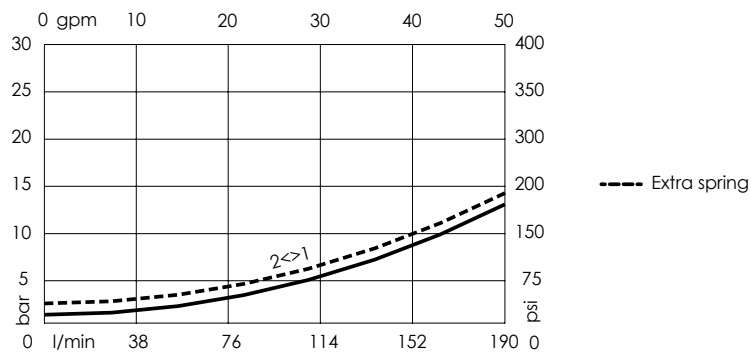


SEALING CAP



Ordering code:
AT000113

CURVES



ORDERING CODES

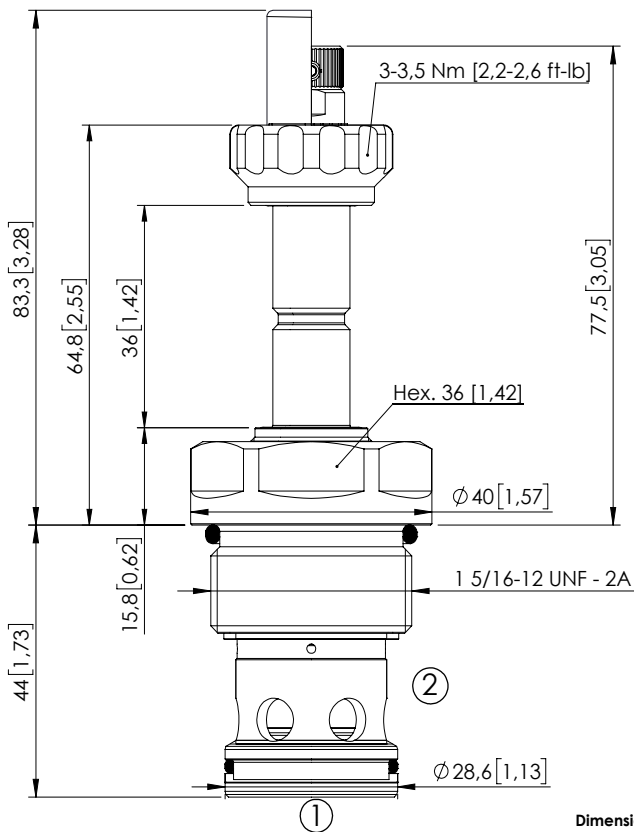
Quick code	Description	Options	Max operating pressure	Extra Spring
CE000323	CEBN-190-NCFN-05-S12-N350	Standard	350 bar (5000 psi)	No
CE000325	CEBN-190-NCFK-05-S12-N350	Knob style override	350 bar (5000 psi)	No
CE000324	CEBN-190-XCFN-05-S12-N350	Standard	350 bar (5000 psi)	Yes
CE000326	CEBN-190-XCFK-05-S12-N350	Knob style override	350 bar (5000 psi)	Yes
CE000623	CEBN-190-NCFN-05-S12-N500	Standard	500 bar (7200 psi)	No
CE000625	CEBN-190-NCFK-05-S12-N500	Knob style override	500 bar (7200 psi)	No

SOLENOID OPERATED CARTRIDGE

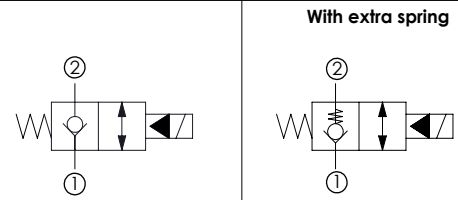


CEBN-310-NCFN-05

PILOT OPERATED
POPPET TYPE



Dimensions: mm [inches]



SPECIFICATIONS

Max. operating pressure:	350/500 bar (5000/7200 psi)
Rated flow:	310 l/min (82 gpm)
Cavity:	SAE-16-2N
Weight:	0,36 kg (0,79 lbs)
Min. voltage required:	90% of nominal
Coil type:	M7 or M3 type
Ambient temperature:	-20/+50 °C (-4/+122 °F)
Contamination class to ISO 4406:	See technical spec.
Seal kit:	RA900084
Installation torque:	200 - 210 Nm (148- 155 ft-lb)
MTF _d :	150 - 1200 years: See technical spec.

NOTES

For other configurations/quick codes not available in this catalogue page please consult factory

PATENT PENDING

OPTIONS

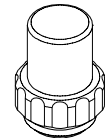
Standard



Knob style override

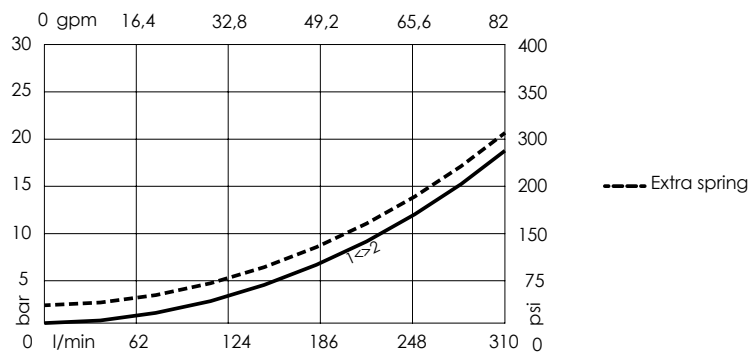


SEALING CAP



Ordering code:
AT000113

CURVES

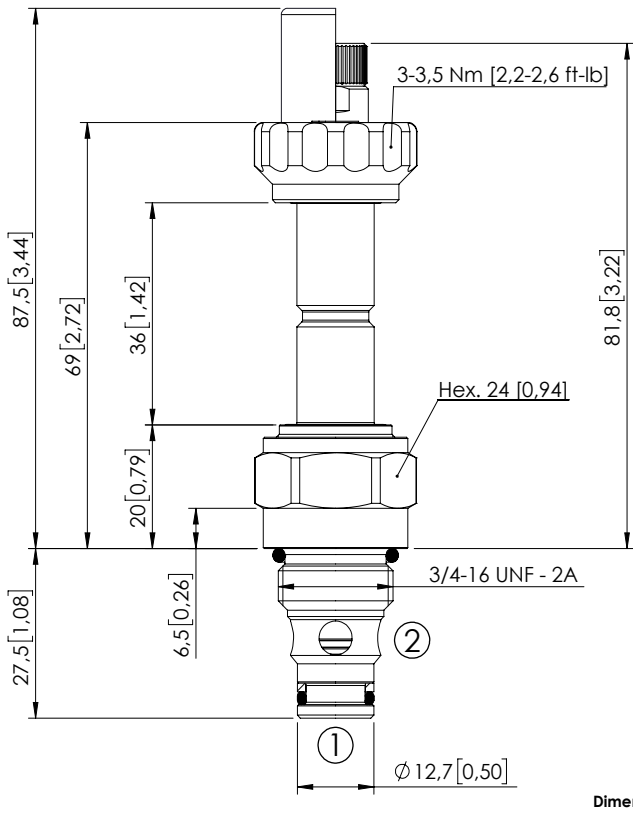


ORDERING CODES

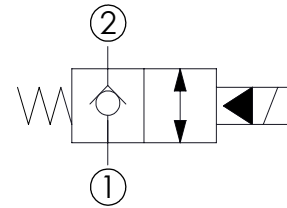
Quick code	Description	Options	Max operating pressure	Extra Spring
CE000393	CEBN-310-NCFN-05-S16-N350	Standard	350 bar (5000 psi)	No
CE000395	CEBN-310-NCFK-05-S16-N350	Knob style override	350 bar (5000 psi)	No
CE000394	CEBN-310-XCFN-05-S16-N350	Standard	350 bar (5000 psi)	Yes
CE000396	CEBN-310-XCFK-05-S16-N350	Knob style override	350 bar (5000 psi)	Yes
CE000693	CEBN-310-NCFN-05-S16-N500	Standard	500 bar (7200 psi)	No
CE000695	CEBN-310-NCFK-05-S16-N500	Knob style override	500 bar (7200 psi)	No
CE000694	CEBN-310-XCFN-05-S16-N500	Standard	500 bar (7200 psi)	Yes

SOLENOID OPERATED CARTRIDGE

CEBN-060-NCFN-03 PILOT OPERATED POPPET TYPE



Dimensions: mm [inches]



SPECIFICATIONS

Max. operating pressure:	350/500 bar (5000/7200 psi)
Rated flow:	60 l/min (16 gpm)
Cavity:	SAE-08-2N
Weight:	0,15 kg (0,33 lbs)
Min. voltage required:	90% of nominal
Coil type:	M7 or M3 type
Ambient temperature:	-20/+50 °C (-4/+122 °F)
Contamination class to ISO 4406:	See technical spec.
Seal kit:	RA900081
Installation torque:	45 - 50 Nm (33 - 37 ft-lb)
MTTF:	150 - 1200 years: See technical spec.

NOTES

For other configurations/quick codes not available in this catalogue page please consult factory

PATENT PENDING

OPTIONS

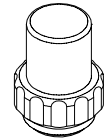
Standard



Knob style override

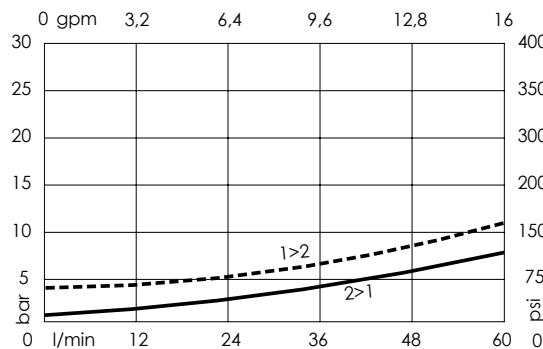


SEALING CAP



Ordering code:
AT000113

CURVES

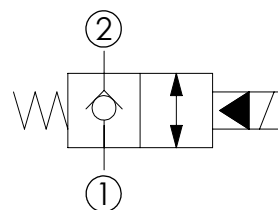
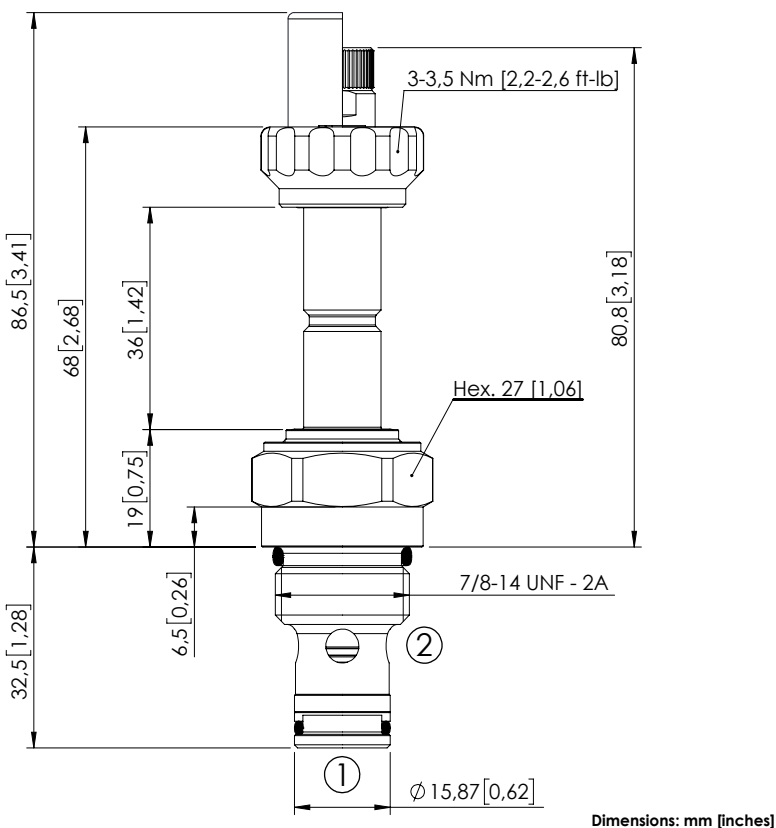


ORDERING CODES

Quick code	Description	Options	Max operating pressure
CE000214	CEBN-060-NCFN-03-S08-N350	Standard	350 bar (5000 psi)
CE000216	CEBN-060-NCFK-03-S08-N350	Knob style override	350 bar (5000 psi)
CE000514	CEBN-060-NCFN-03-S08-N500	Standard	500 bar (7200 psi)
CE000516	CEBN-060-NCFK-03-S08-N500	Knob style override	500 bar (7200 psi)

SOLENOID OPERATED CARTRIDGE

CEBN-080-NCFN-03 PILOT OPERATED POPPET TYPE



SPECIFICATIONS

Max. operating pressure:	350/500 bar (5000/7200 psi)
Rated flow:	80 l/min (21 gpm)
Cavity:	SAE-10-2N
Weight:	0,18 kg (0,40 lbs)
Min. voltage required:	90% of nominal
Coil type:	M7 or M3 type
Ambient temperature:	-20/+50 °C (-4/+122 °F)
Contamination class to ISO 4406:	See technical spec.
Seal kit:	RA900082
Installation torque:	55 - 62 Nm (41 - 46 ft-lb)
MTF _d :	150 - 1200 years: See technical spec.

NOTES

For other configurations/quick codes not available in this catalogue page please consult factory

PATENT PENDING

OPTIONS

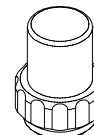
Standard



Knob style override

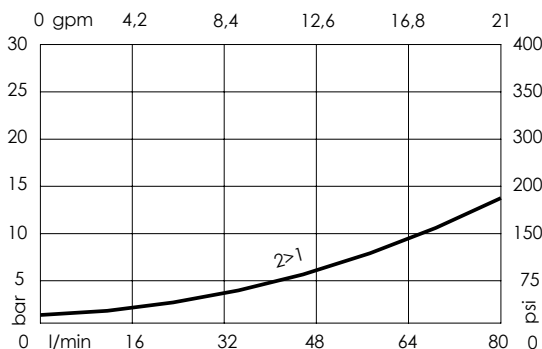


SEALING CAP



Ordering code:
AT000113

CURVES

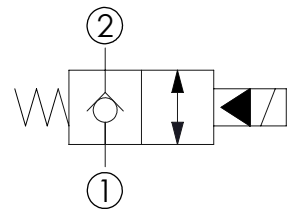
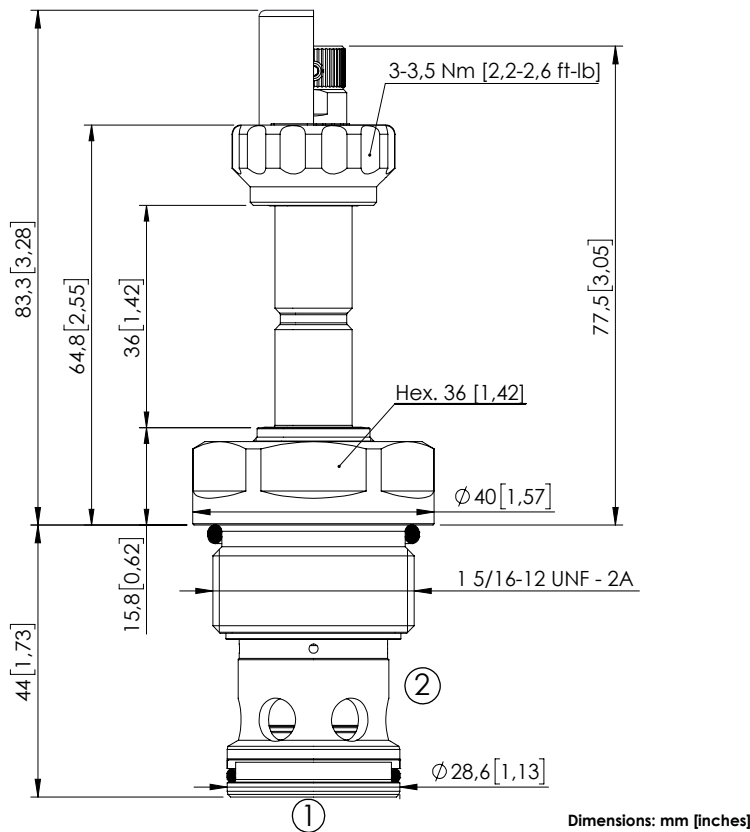


ORDERING CODES

Quick code	Description	Options	Max operating pressure
CE000249	CEBN-080-NCFN-03-S10-N350	Standard	350 bar (5000 psi)
CE000251	CEBN-080-NCFK-03-S10-N350	Knob style override	350 bar (5000 psi)
CE000549	CEBN-080-NCFN-03-S10-N500	Standard	500 bar (7200 psi)
CE000551	CEBN-080-NCFK-03-S10-N500	Knob style override	500 bar (7200 psi)

SOLENOID OPERATED CARTRIDGE

CEBN-310-NCFN-03 PILOT OPERATED POPPET TYPE



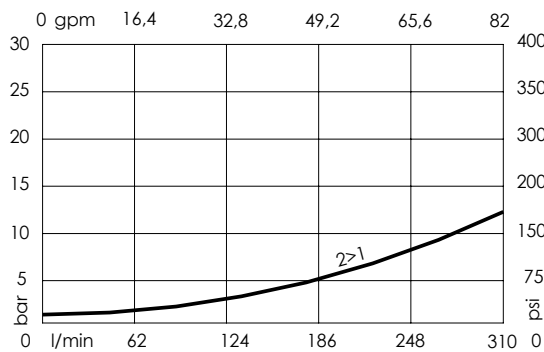
SPECIFICATIONS

Max. operating pressure:	350/500 bar (5000/7200 psi)
Rated flow:	310 l/min (82 gpm)
Cavity:	SAE-16-2N
Weight:	0,36 kg (0,79 lbs)
Min. voltage required:	90% of nominal
Coil type:	M7 or M3 type
Ambient temperature:	-20/+50 °C (-4/+122 °F)
Contamination class to ISO 4406:	See technical spec.
Seal kit:	RA900084
Installation torque:	200 - 210 Nm (148 - 155 ft-lb)
MTF _a :	150 - 1200 years: See technical spec.

NOTES

For other configurations/quick codes not available in this catalogue page please consult factory
PATENT PENDING

CURVES



OPTIONS

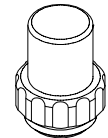
Standard



Knob style override



SEALING CAP



Ordering code:
AT000113

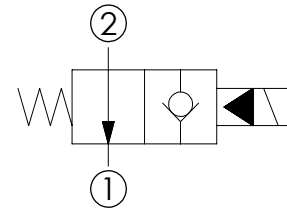
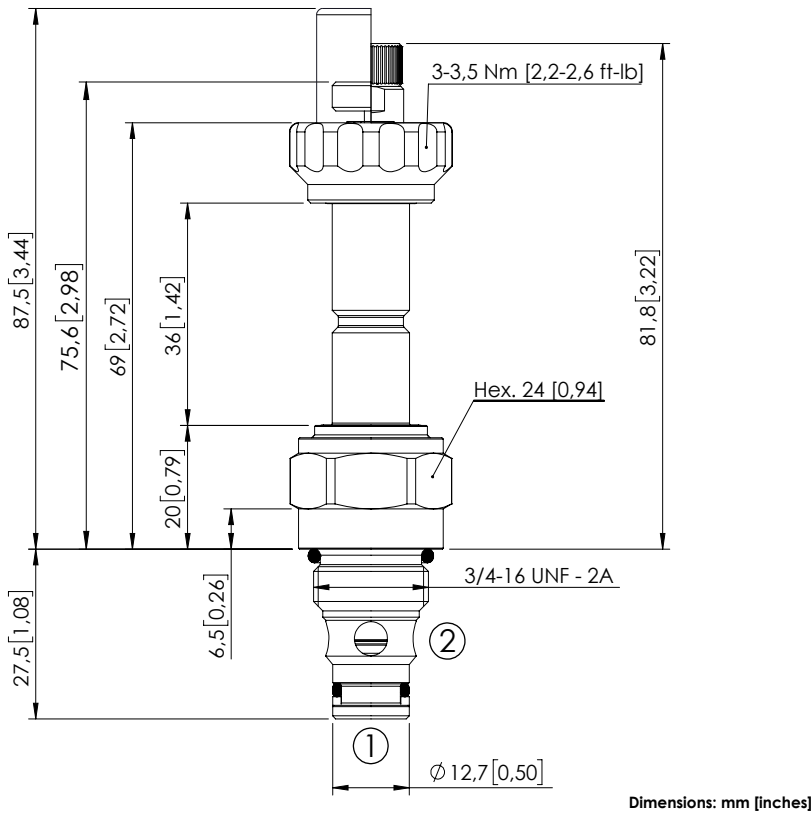
ORDERING CODES

Quick code	Description	Options	Max operating pressure
CE000389	CEBN-310-NCFN-03-S16-N350	Standard	350 bar (5000 psi)
CE000391	CEBN-310-NCFK-03-S16-N350	Knob style override	350 bar (5000 psi)
CE000689	CEBN-310-NCFN-03-S16-N500	Standard	500 bar (7200 psi)
CE000691	CEBN-310-NCFK-03-S16-N500	Knob style override	500 bar (7200 psi)

SOLENOID OPERATED CARTRIDGE



CEBN-060-NAFN-02 PILOT OPERATED POPPET TYPE



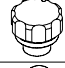
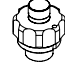
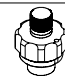
SPECIFICATIONS

Max. operating pressure:	350/500 bar (5000/7200 psi)
Rated flow:	60 l/min (16 gpm)
Cavity:	SAE-08-2N
Weight:	0,15 kg (0,33 lbs)
Min. voltage required:	90% of nominal
Coil type:	M7 or M3 type
Ambient temperature:	-20/+50 °C (-4/+122 °F)
Contamination class to ISO 4406:	See technical spec.
Seal kit:	RA900081
Installation torque:	45 - 50 Nm (33 - 37 ft-lb)
MTF _a :	150 - 1200 years: See technical spec.

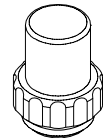
NOTES

For other configurations/quick codes not available in this catalogue page please consult factory
PATENT PENDING

OPTIONS

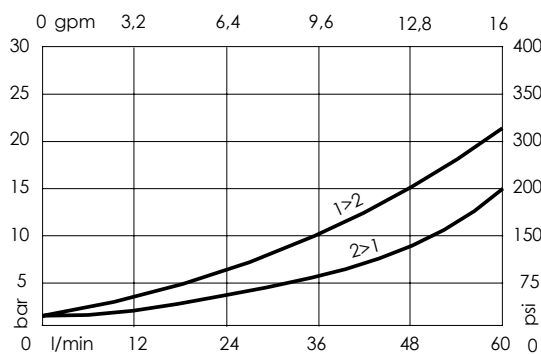
- Standard 
- Push style override 
- Knob style override 

SEALING CAP



Ordering code:
AT000113

CURVES

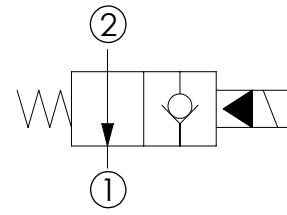
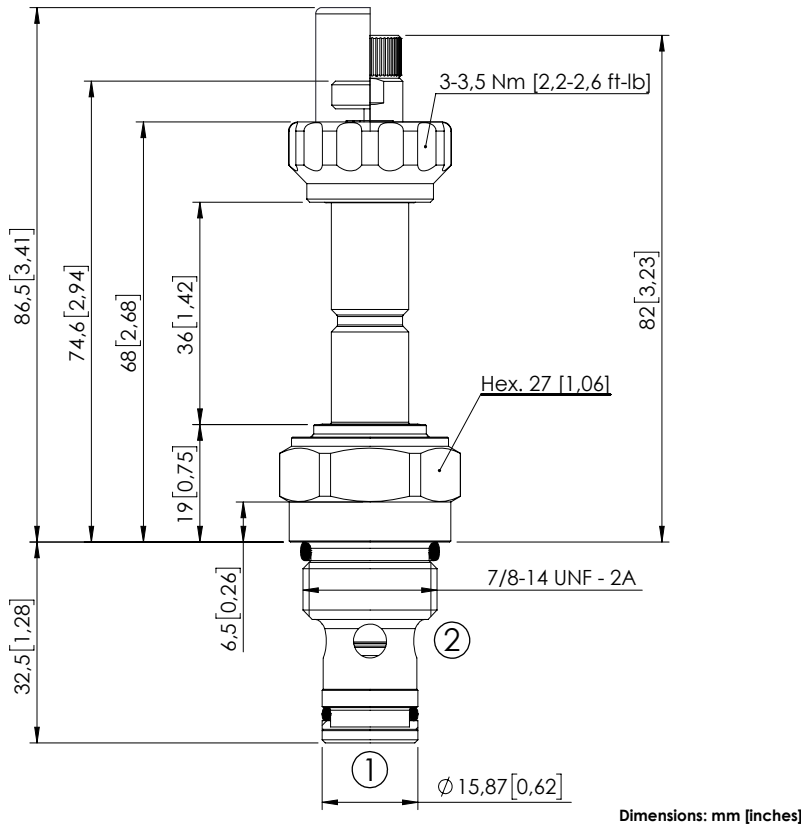


ORDERING CODES

Quick code	Description	Options	Max operating pressure
CE000230	CEBN-060-NAFN-02-S08-N350	Standard	350 bar (5000 psi)
CE000231	CEBN-060-NAFP-02-S08-N350	Push style override	350 bar (5000 psi)
CE000232	CEBN-060-NAFK-02-S08-N350	Knob style override	350 bar (5000 psi)
CE000530	CEBN-060-NAFN-02-S08-N500	Standard	500 bar (7200 psi)
CE000531	CEBN-060-NAFP-02-S08-N500	Push style override	500 bar (7200 psi)
CE000532	CEBN-060-NAFK-02-S08-N500	Knob style override	500 bar (7200 psi)

SOLENOID OPERATED CARTRIDGE

CEBN-080-NAFN-02 PILOT OPERATED POPPET TYPE



SPECIFICATIONS

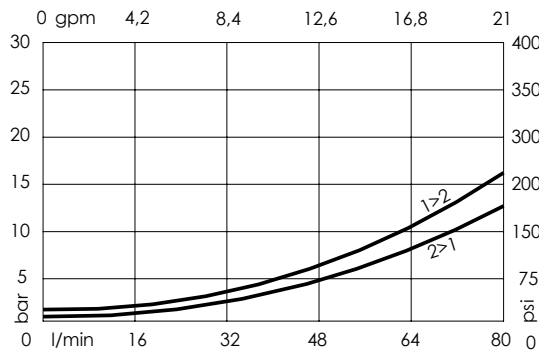
Max. operating pressure:	350/500 bar (5000/7200 psi)
Rated flow:	80 l/min (21 gpm)
Cavity:	SAE-10-2N
Weight:	0,18 kg (0,40 lbs)
Min. voltage required:	90% of nominal
Coil type:	M7 or M3 type
Ambient temperature:	-20/+50 °C (-4/+122 °F)
Contamination class to ISO 4406:	See technical spec.
Seal kit:	RA900082
Installation torque:	55 - 62 Nm (41 - 46 ft-lb)
MTF _a :	150 - 1200 years: See technical spec.

NOTES

For other configurations/quick codes not available in this catalogue page please consult factory

PATENT PENDING

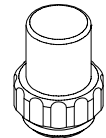
CURVES



OPTIONS

- Standard
- Push style override
- Knob style override

SEALING CAP



Ordering code:
AT000113

ORDERING CODES

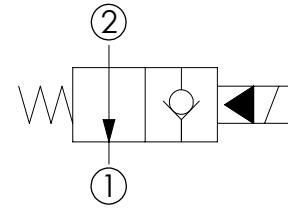
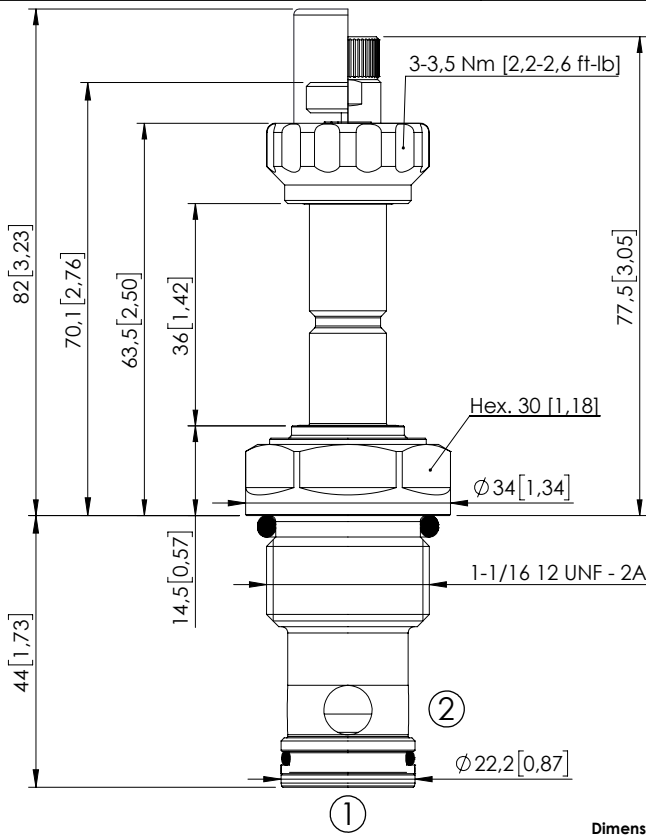
Quick code	Description	Options	Max operating pressure
CE000265	CEBN-080-NAFN-02-S10-N350	Standard	350 bar (5000 psi)
CE000266	CEBN-080-NAFP-02-S10-N350	Push style override	350 bar (5000 psi)
CE000267	CEBN-080-NAFK-02-S10-N350	Knob style override	350 bar (5000 psi)
CE000565	CEBN-080-NAFN-02-S10-N500	Standard	500 bar (7200 psi)
CE000566	CEBN-080-NAFP-02-S10-N500	Push style override	500 bar (7200 psi)
CE000567	CEBN-080-NAFK-02-S10-N500	Knob style override	500 bar (7200 psi)

SOLENOID OPERATED CARTRIDGE



CEBN-190-NAFN-02

PILOT OPERATED POPPET TYPE




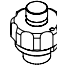
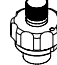
SPECIFICATIONS

Max. operating pressure:	350/500 bar (5000/7200 psi)
Rated flow:	190 l/min (50 gpm)
Cavity:	SAE-12-2N
Weight:	0,25 kg (0,55 lbs)
Min. voltage required:	90% of nominal
Coil type:	M7 or M3 type
Ambient temperature:	-20/+50 °C (-4/+122 °F)
Contamination class to ISO 4406:	See technical spec.
Seal kit:	RA900083
Installation torque:	135 - 150 Nm (100 - 111 ft-lb)
MTTF:	150 - 1200 years: See technical spec.

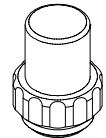
NOTES

For other configurations/quick codes not available in this catalogue page please consult factory
PATENT PENDING

OPTIONS

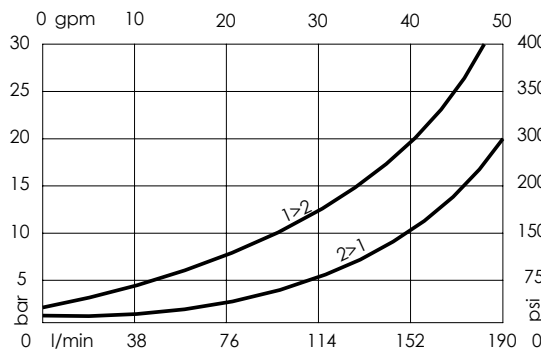
- Standard 
- Push style override 
- Knob style override 

SEALING CAP



Ordering code:
AT000113

CURVES

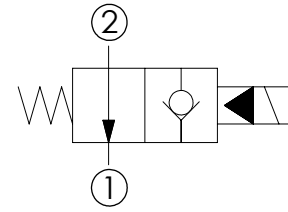
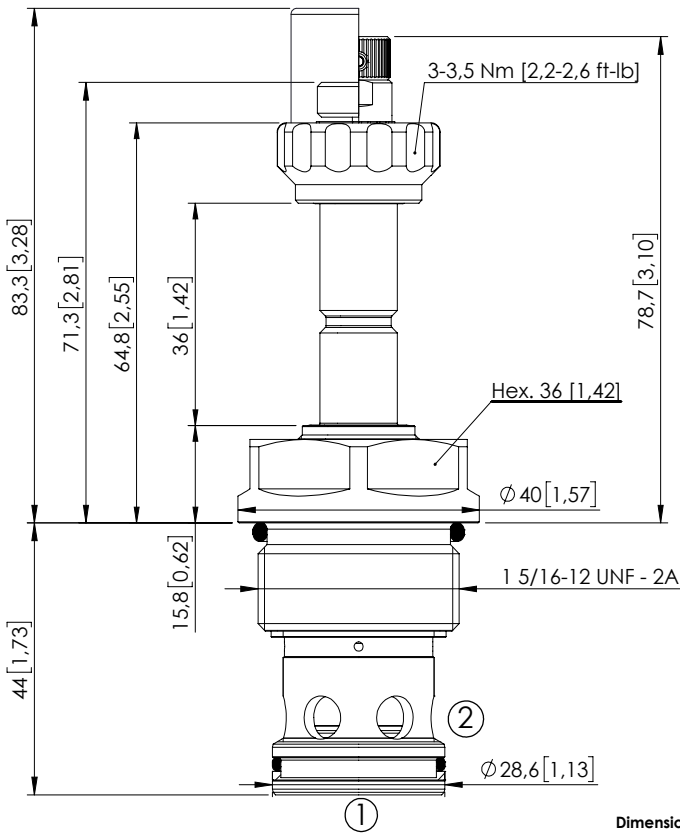


ORDERING CODES

Quick code	Description	Options	Max operating pressure
CE000335	CEBN-190-NAFN-02-S12-N350	Standard	350 bar (5000 psi)
CE000336	CEBN-190-NAFP-02-S12-N350	Push style override	350 bar (5000 psi)
CE000337	CEBN-190-NAFK-02-S12-N350	Knob style override	350 bar (5000 psi)
CE000635	CEBN-190-NAFN-02-S12-N500	Standard	500 bar (7200 psi)
CE000636	CEBN-190-NAFP-02-S12-N500	Push style override	500 bar (7200 psi)
CE000637	CEBN-190-NAFK-02-S12-N500	Knob style override	500 bar (7200 psi)

SOLENOID OPERATED CARTRIDGE

CEBN-310-NAFN-02 PILOT OPERATED POPPET TYPE



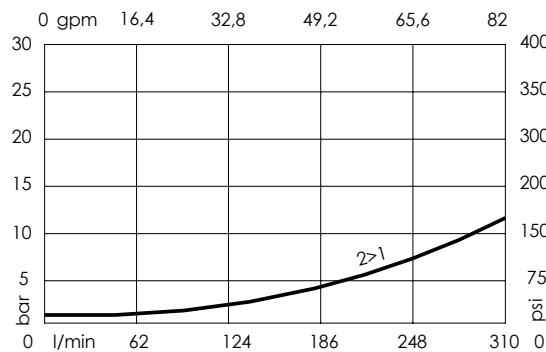
SPECIFICATIONS

Max. operating pressure:	350/500 bar (5000/7200 psi)
Rated flow:	310 l/min (82 gpm)
Cavity:	SAE-16-2N
Weight:	0,36 kg (0,79 lbs)
Min. voltage required:	90% of nominal
Coil type:	M7 or M3 type
Ambient temperature:	-20/+50 °C (-4/+122 °F)
Contamination class to ISO 4406:	See technical spec.
Seal kit:	RA900084
Installation torque:	200 - 210 Nm (148 - 155 ft-lb)
MTF _a :	150 - 1200 years: See technical spec.

NOTES

For other configurations/quick codes not available in this catalogue page please consult factory
PATENT PENDING

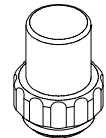
CURVES



OPTIONS

- Standard
- Push style override
- Knob style override

SEALING CAP



Ordering code:
AT000113

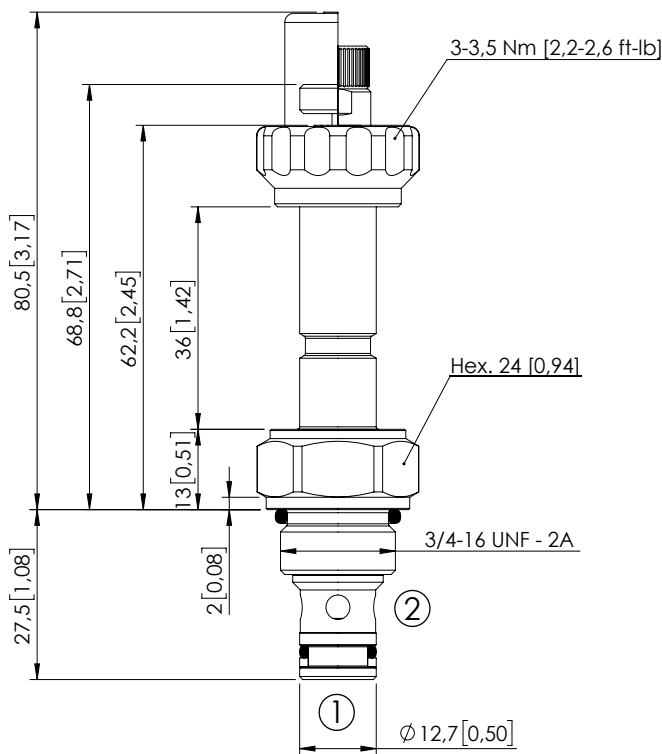
ORDERING CODES

Quick code	Description	Options	Max operating pressure
CE000405	CEBN-310-NAFN-02-S16-N350	Standard	350 bar (5000 psi)
CE000406	CEBN-310-NAFP-02-S16-N350	Push style override	350 bar (5000 psi)
CE000407	CEBN-310-NAFK-02-S16-N350	Knob style override	350 bar (5000 psi)
CE000705	CEBN-310-NAFN-02-S16-N500	Standard	500 bar (7200 psi)
CE000706	CEBN-310-NAFP-02-S16-N500	Push style override	500 bar (7200 psi)
CE000707	CEBN-310-NAFK-02-S16-N500	Knob style override	500 bar (7200 psi)

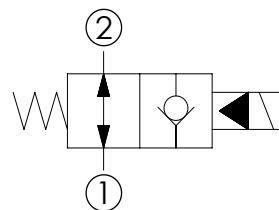
SOLENOID OPERATED CARTRIDGE

CEBE-040-NAFN-06

PILOT OPERATED
POPPET TYPE



Dimensions: mm [inches]



SPECIFICATIONS

Max. operating pressure:	350 bar (5000 psi)
Rated flow:	40 l/min (11 gpm)
Cavity:	SAE-08-2N
Weight:	0,13 kg (0,29 lbs)
Min. voltage required:	90% of nominal
Coil type:	M7 or M3 type
Ambient temperature:	-20/+50 °C (-4/+122 °F)
Contamination class to ISO 4406:	See technical spec.
Seal kit:	RA900081
Installation torque:	45 - 50 Nm (33,2 - 36,9 ft-lb)
MTF _a :	150 - 1200 years: See technical spec.

NOTES

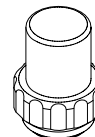
For other configurations/quick codes not available in this catalogue page please consult factory

PATENT PENDING

OPTIONS

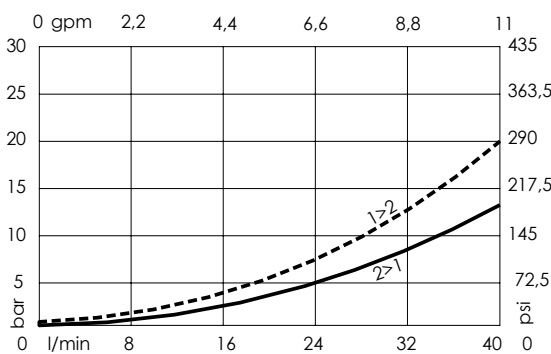
- Standard
- Push style override
- Knob style override

SEALING CAP



Ordering code:
AT000113

CURVES



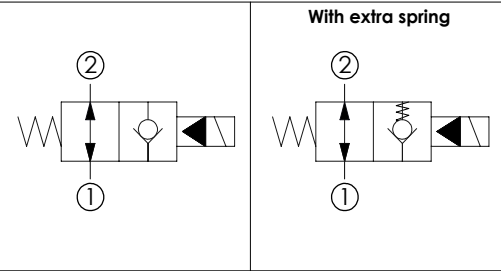
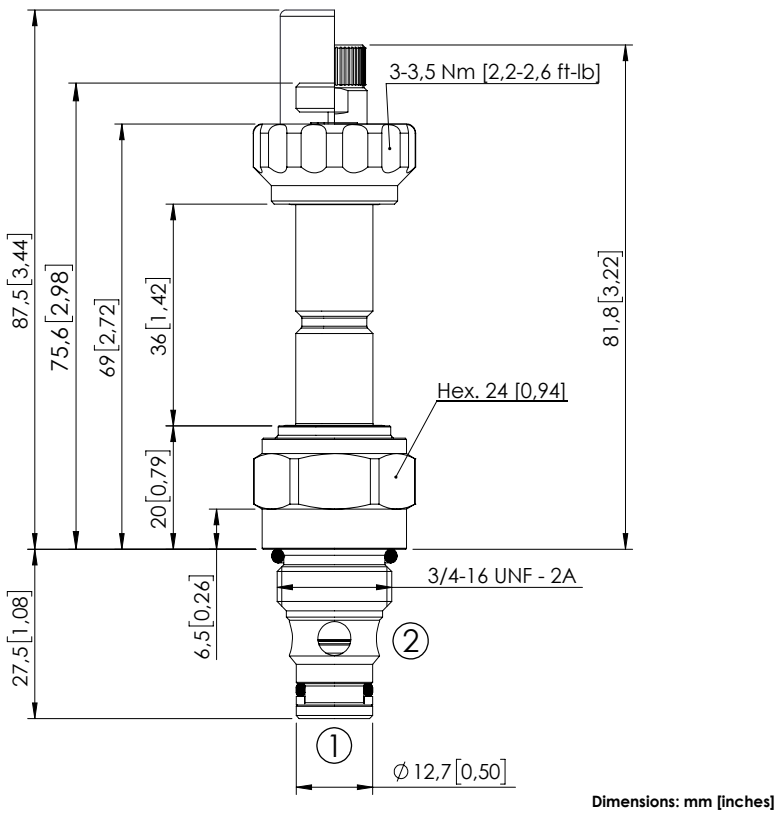
ORDERING CODES

Quick code	Description	Options	Max operating pressure
CE001155	CEBE-040-NAFN-06-S08-N350	Standard	350 bar (5000 psi)
CE001156	CEBE-040-NAFP-06-S08-N350	Push style override	350 bar (5000 psi)
CE001157	CEBE-040-NAFK-06-S08-N350	Knob style override	350 bar (5000 psi)

SOLENOID OPERATED CARTRIDGE

CEBN-060-NAFN-06

PILOT OPERATED
POPPET TYPE

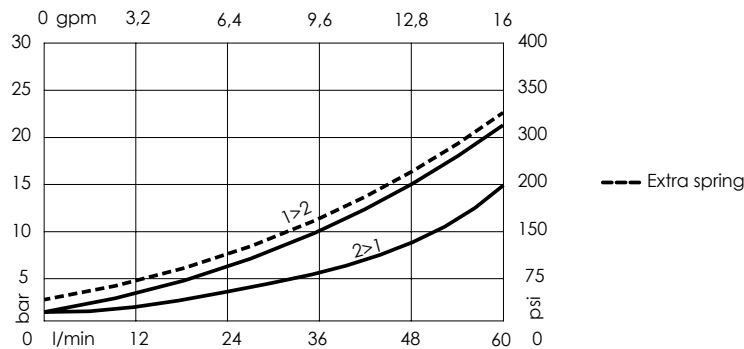


SPECIFICATIONS	
Max. operating pressure:	350/500 bar (5000/7200 psi)
Rated flow:	60 l/min (16 gpm)
Cavity:	SAE-08-2N
Weight:	0,15 kg (0,33 lbs)
Min. voltage required:	90% of nominal
Coil type:	M7 or M3 type
Ambient temperature:	-20/+50 °C (-4/+122 °F)
Contamination class to ISO 4406:	See technical spec.
Seal kit:	RA900081
Installation torque:	45 - 50 Nm (33 - 37 ft-lb)
MTF _a :	150 - 1200 years: See technical spec.

NOTES

For other configurations/quick codes not available in this catalogue page please consult factory
PATENT PENDING

CURVES



OPTIONS	SEALING CAP
Standard	 Ordering code: AT000113
Push style override	
Knob style override	

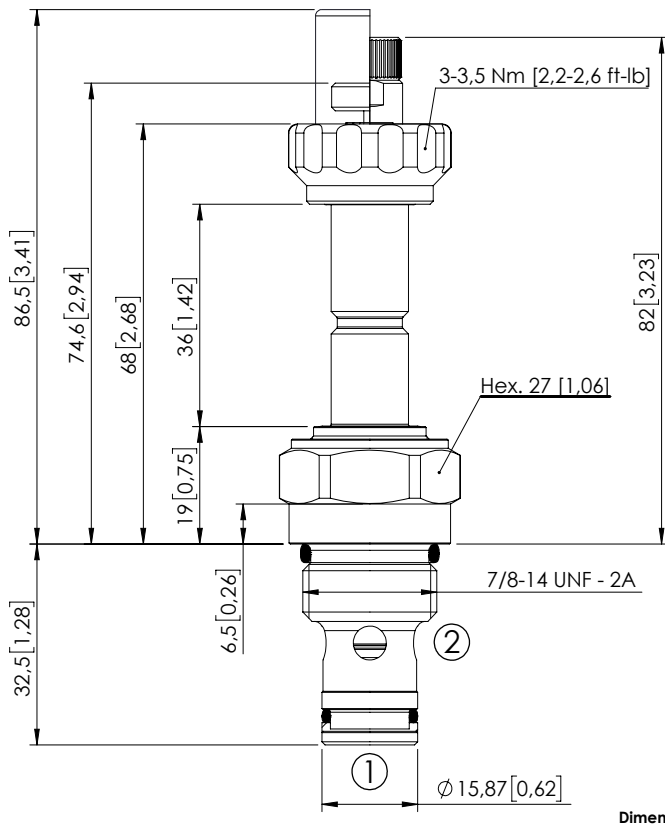
ORDERING CODES

Quick code	Description	Options	Max operating pressure	Extra Spring
CE000236	CEBN-060-NAFN-06-S08-N350	Standard	350 bar (5000 psi)	No
CE000237	CEBN-060-NAFP-06-S08-N350	Push style override	350 bar (5000 psi)	No
CE000238	CEBN-060-NAFK-06-S08-N350	Knob style override	350 bar (5000 psi)	No
CE000483	CEBN-060-XAFN-06-S08-N350	Standard	350 bar (5000 psi)	Yes
CE000536	CEBN-060-NAFN-06-S08-N500	Standard	500 bar (7200 psi)	No
CE000537	CEBN-060-NAFP-06-S08-N500	Push style override	500 bar (7200 psi)	No
CE000538	CEBN-060-NAFK-06-S08-N500	Knob style override	500 bar (7200 psi)	No

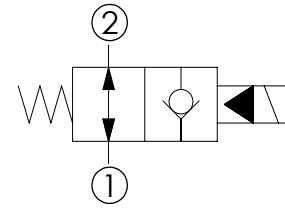
SOLENOID OPERATED CARTRIDGE

CEBN-080-NAFN-06

PILOT OPERATED
POPPET TYPE



Dimensions: mm [inches]



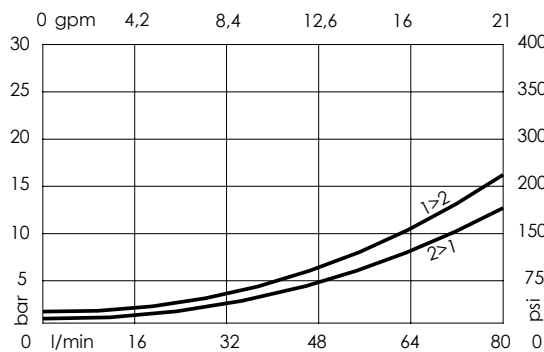
SPECIFICATIONS

Max. operating pressure:	350/500 bar (5000/7200 psi)
Rated flow:	80 l/min (21 gpm)
Cavity:	SAE-10-2N
Weight:	0,18 kg (0,40 lbs)
Min. voltage required:	90% of nominal
Coil type:	M7 or M3 type
Ambient temperature:	-20/+50 °C (-4/+122 °F)
Contamination class to ISO 4406:	See technical spec.
Seal kit:	RA900082
Installation torque:	55 - 62 Nm (41 - 46 ft-lb)
MTF _d :	150 - 1200 years: See technical spec.


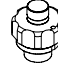
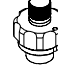
NOTES

For other configurations/quick codes not available in this catalogue page please consult factory
PATENT PENDING

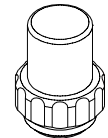
CURVES



OPTIONS

- Standard 
- Push style override 
- Knob style override 

SEALING CAP



Ordering code:
AT000113

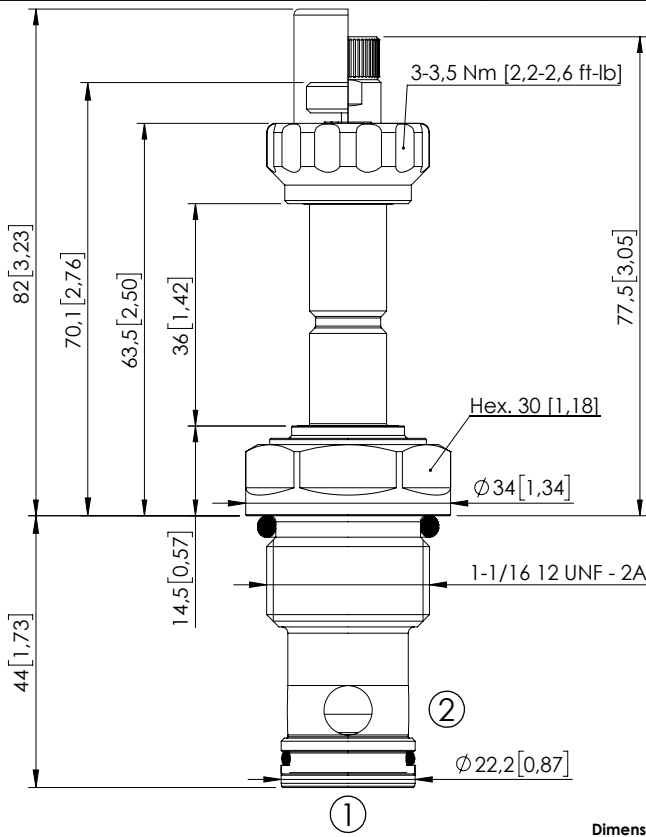
ORDERING CODES

Quick code	Description	Options	Max operating pressure
CE000271	CEBN-080-NAFN-06-S10-N350	Standard	350 bar (5000 psi)
CE000272	CEBN-080-NAFP-06-S10-N350	Push style override	350 bar (5000 psi)
CE000273	CEBN-080-NAFK-06-S10-N350	Knob style override	350 bar (5000 psi)
CE000571	CEBN-080-NAFN-06-S10-N500	Standard	500 bar (7200 psi)
CE000572	CEBN-080-NAFP-06-S10-N500	Push style override	500 bar (7200 psi)
CE000573	CEBN-080-NAFK-06-S10-N500	Knob style override	500 bar (7200 psi)

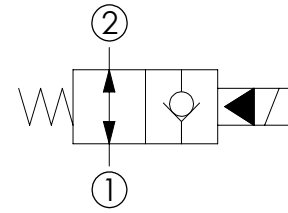
SOLENOID OPERATED CARTRIDGE

CEBN-190-NAFN-06

PILOT OPERATED
POPPET TYPE



Dimensions: mm [inches]



SPECIFICATIONS

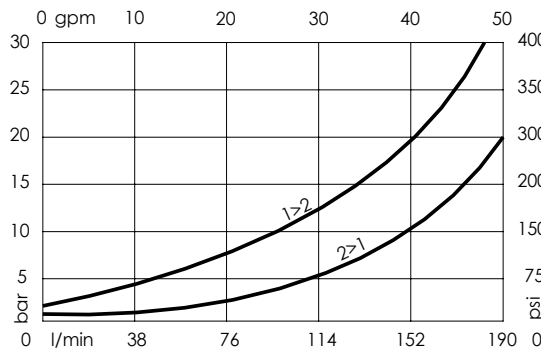
Max. operating pressure:	350/500 bar (5000/7200 psi)
Rated flow:	190 l/min (50 gpm)
Cavity:	SAE-12-2N
Weight:	0,25 kg (0,55 lbs)
Min. voltage required:	90% of nominal
Coil type:	M7 or M3 type
Ambient temperature:	-20/+50 °C (-4/+122 °F)
Contamination class to ISO 4406:	See technical spec.
Seal kit:	RA900083
Installation torque:	135 - 150 Nm (100 - 111 ft-lb)
MTTFa:	150 - 1200 years: See technical spec.

NOTES

For other configurations/quick codes not available in this catalogue page please consult factory

PATENT PENDING

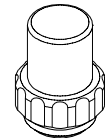
CURVES



OPTIONS

- Standard
- Push style override
- Knob style override

SEALING CAP



Ordering code:
AT000113

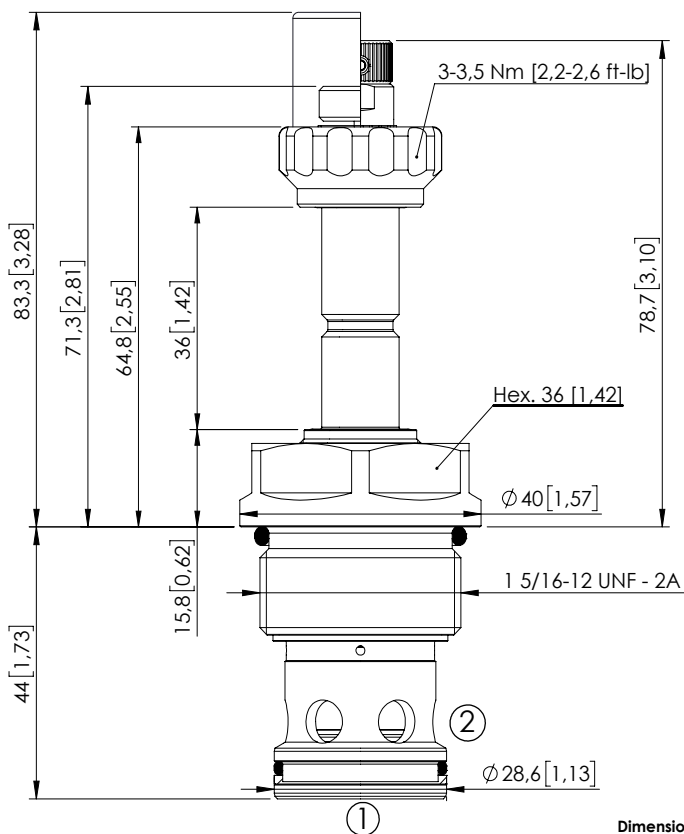
ORDERING CODES

Quick code	Description	Options	Max operating pressure
CE000341	CEBN-190-NAFN-06-S12-N350	Standard	350 bar (5000 psi)
CE000342	CEBN-190-NAFP-06-S12-N350	Push style override	350 bar (5000 psi)
CE000343	CEBN-190-NAFK-06-S12-N350	Knob style override	350 bar (5000 psi)
CE000641	CEBN-190-NAFN-06-S12-N500	Standard	500 bar (7200 psi)
CE000642	CEBN-190-NAFP-06-S12-N500	Push style override	500 bar (7200 psi)
CE000643	CEBN-190-NAFK-06-S12-N500	Knob style override	500 bar (7200 psi)

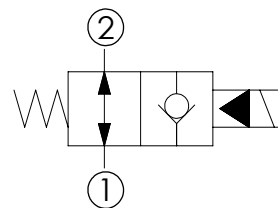
SOLENOID OPERATED CARTRIDGE

CEBN-310-NAFN-06

PILOT OPERATED
POPPET TYPE



Dimensions: mm [inches]



SPECIFICATIONS

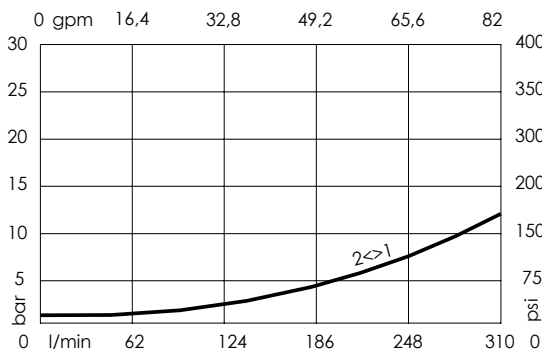
Max. operating pressure:	350/500 bar (5000/7200 psi)
Rated flow:	310 l/min (82 gpm)
Cavity:	SAE-16-2N
Weight:	0,36 kg (0,79 lbs)
Min. voltage required:	90% of nominal
Coil type:	M7 or M3 type
Ambient temperature:	-20/+50 °C (-4/+122 °F)
Contamination class to ISO 4406:	See technical spec.
Seal kit:	RA900084
Installation torque:	200 - 210 Nm (148 - 155 ft-lb)
MTF _a :	150 - 1200 years: See technical spec.

NOTES

For other configurations/quick codes not available in this catalogue page please consult factory

PATENT PENDING

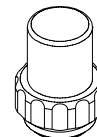
CURVES



OPTIONS

- Standard
- Push style override
- Knob style override

SEALING CAP



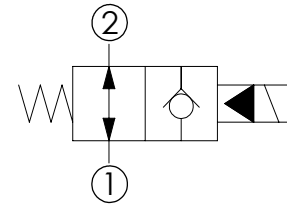
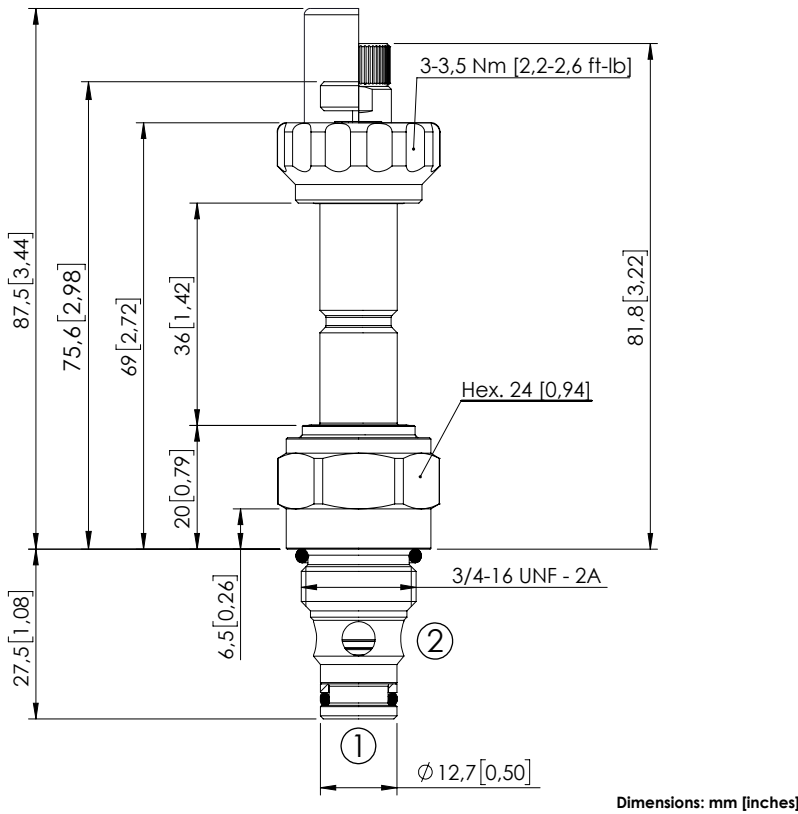
Ordering code:
AT000113

ORDERING CODES

Quick code	Description	Options	Max operating pressure
CE000411	CEBN-310-NAFN-06-S16-N350	Standard	350 bar (5000 psi)
CE000412	CEBN-310-NAFP-06-S16-N350	Push style override	350 bar (5000 psi)
CE000413	CEBN-310-NAFK-06-S16-N350	Knob style override	350 bar (5000 psi)
CE000711	CEBN-310-NAFN-06-S16-N500	Standard	500 bar (7200 psi)
CE000712	CEBN-310-NAFP-06-S16-N500	Push style override	500 bar (7200 psi)
CE000713	CEBN-310-NAFK-06-S16-N500	Knob style override	500 bar (7200 psi)

SOLENOID OPERATED CARTRIDGE

CEBN-060-NAFN-04 PILOT OPERATED POPPET TYPE



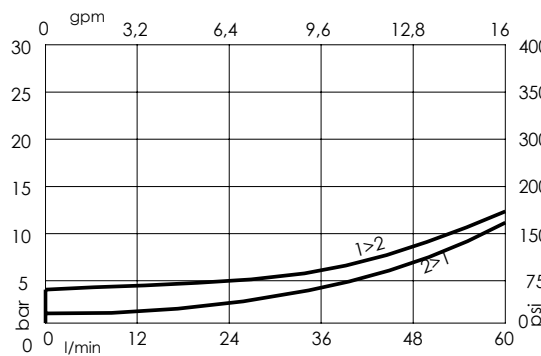
SPECIFICATIONS

Max. operating pressure:	350/500 bar (5000/7200 psi)
Rated flow:	60 l/min (16 gpm)
Cavity:	SAE-08-2N
Weight:	0,15 kg (0,33 lbs)
Min. voltage required:	90% of nominal
Coil type:	M7 or M3 type
Ambient temperature:	-20/+50 °C (-4/+122 °F)
Contamination class to ISO 4406:	See technical spec.
Seal kit:	RA900081
Installation torque:	45 - 50 Nm (33 - 37 ft-lb)
MTTF:	150 - 1200 years: See technical spec.

NOTES

For other configurations/quick codes not available in this catalogue page please consult factory
PATENT PENDING

CURVES



OPTIONS	SEALING CAP
Standard	 Ordering code: AT000113
Push style override	
Knob style override	

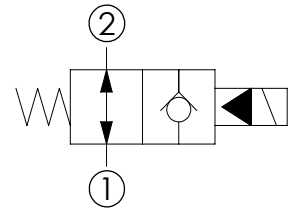
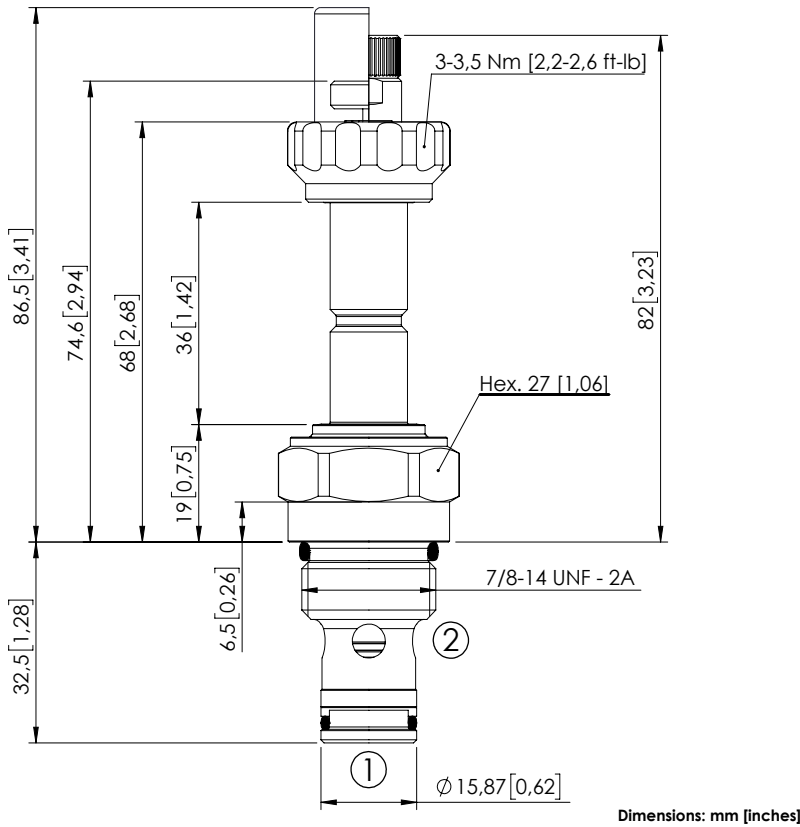
ORDERING CODES

Quick code	Description	Options	Max operating pressure
CE000233	CEBN-060-NAFN-04-S08-N350	Standard	350 bar (5000 psi)
CE000234	CEBN-060-NAFP-04-S08-N350	Push style override	350 bar (5000 psi)
CE000235	CEBN-060-NAFK-04-S08-N350	Knob style override	350 bar (5000 psi)
CE000533	CEBN-060-NAFN-04-S08-N500	Standard	500 bar (7200 psi)
CE000534	CEBN-060-NAFP-04-S08-N500	Push style override	500 bar (7200 psi)
CE000535	CEBN-060-NAFK-04-S08-N500	Knob style override	500 bar (7200 psi)

SOLENOID OPERATED CARTRIDGE



CEBN-080-NAFN-04 PILOT OPERATED POPPET TYPE




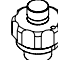
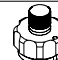
SPECIFICATIONS

Max. operating pressure:	350/500 bar (5000/7200 psi)
Rated flow:	80 l/min (21 gpm)
Cavity:	SAE-10-2N
Weight:	0,18 kg (0,40 lbs)
Min. voltage required:	90% of nominal
Coil type:	M7 or M3 type
Ambient temperature:	-20/+50 °C (-4/+122 °F)
Contamination class to ISO 4406:	See technical spec.
Seal kit:	RA900082
Installation torque:	55 - 62 Nm (41 - 46 ft-lb)
MTF _a :	150 - 1200 years: See technical spec.

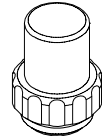
NOTES

For other configurations/quick codes not available in this catalogue page please consult factory
PATENT PENDING

OPTIONS

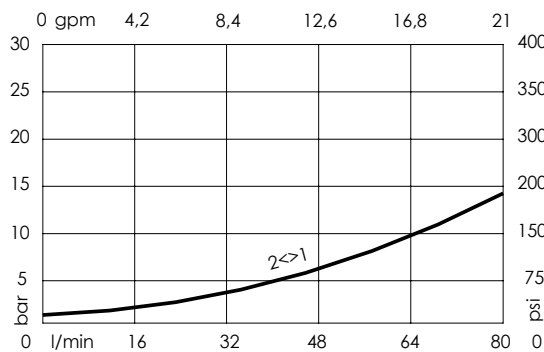
- Standard 
- Push style override 
- Knob style override 

SEALING CAP



Ordering code:
AT000113

CURVES

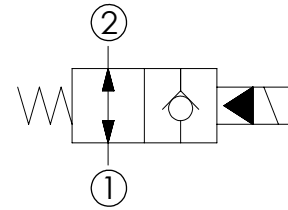
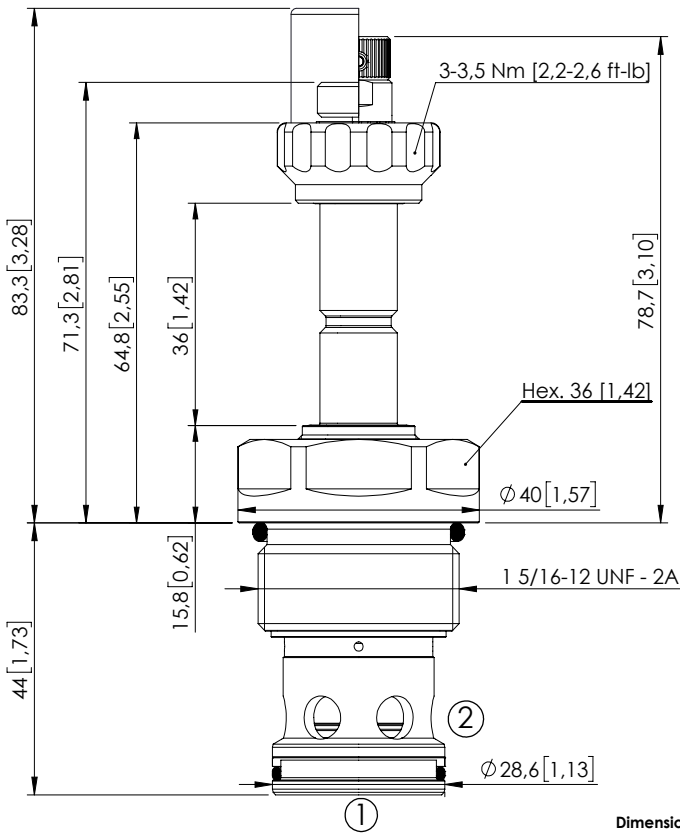


ORDERING CODES

Quick code	Description	Options	Max operating pressure
CE000268	CEBN-080-NAFN-04-S10-N350	Standard	350 bar (5000 psi)
CE000269	CEBN-080-NAFP-04-S10-N350	Push style override	350 bar (5000 psi)
CE000270	CEBN-080-NAFK-04-S10-N350	Knob style override	350 bar (5000 psi)
CE000568	CEBN-080-NAFN-04-S10-N500	Standard	500 bar (7200 psi)
CE000569	CEBN-080-NAFP-04-S10-N500	Push style override	500 bar (7200 psi)
CE000570	CEBN-080-NAFK-04-S10-N500	Knob style override	500 bar (7200 psi)

SOLENOID OPERATED CARTRIDGE

CEBN-310-NAFN-04 PILOT OPERATED POPPET TYPE



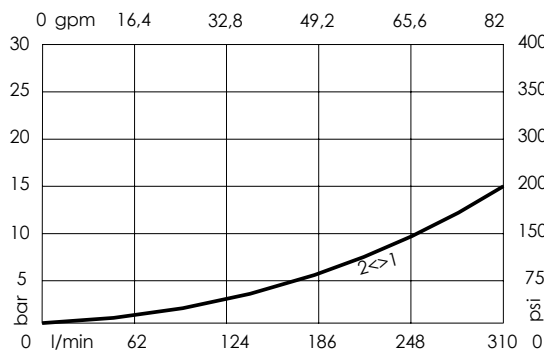
SPECIFICATIONS

Max. operating pressure:	350/500 bar (5000/7200 psi)
Rated flow:	310 l/min (82 gpm)
Cavity:	SAE-16-2N
Weight:	0,36 kg (0,79 lbs)
Min. voltage required:	90% of nominal
Coil type:	M7 or M3 type
Ambient temperature:	-20/+50 °C (-4/+122 °F)
Contamination class to ISO 4406:	See technical spec.
Seal kit:	RA900084
Installation torque:	200 - 210 Nm (148 - 155 ft-lb)
MTF _a :	150 - 1200 years: See technical spec.

NOTES

For other configurations/quick codes not available in this catalogue page please consult factory
PATENT PENDING

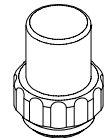
CURVES



OPTIONS

- Standard
- Push style override
- Knob style override

SEALING CAP



Ordering code:
AT000113

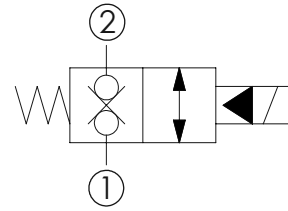
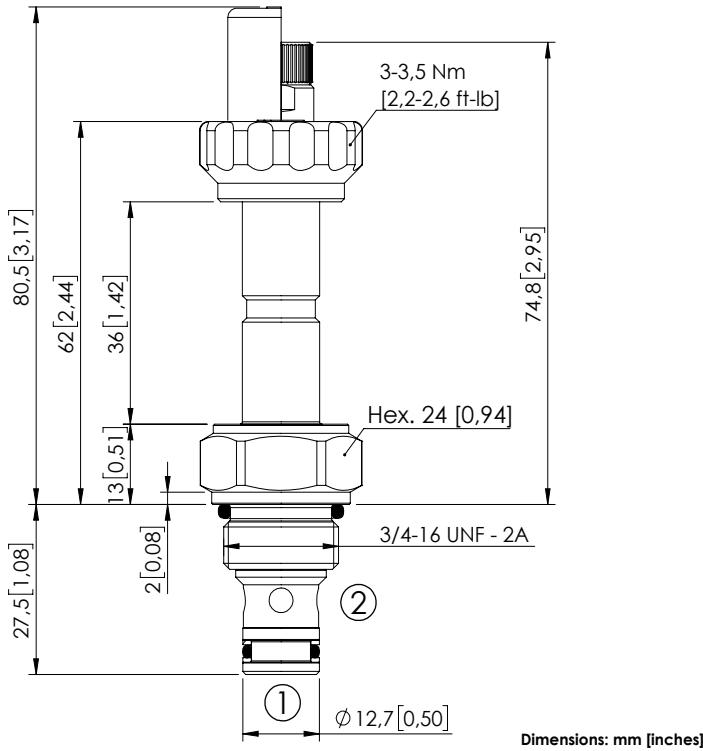
ORDERING CODES

Quick code	Description	Options	Max operating pressure
CE000408	CEBN-310-NAFN-04-S16-N350	Standard	350 bar (5000 psi)
CE000409	CEBN-310-NAFP-04-S16-N350	Push style override	350 bar (5000 psi)
CE000410	CEBN-310-NAFK-04-S16-N350	Knob style override	350 bar (5000 psi)
CE000708	CEBN-310-NAFN-04-S16-N500	Standard	500 bar (7200 psi)
CE000709	CEBN-310-NAFP-04-S16-N500	Push style override	500 bar (7200 psi)
CE000710	CEBN-310-NAFK-04-S16-N500	Knob style override	500 bar (7200 psi)

SOLENOID OPERATED CARTRIDGE

CEBE-040-NCFN-31

PILOT OPERATED
POPPET TYPE



SPECIFICATIONS

Max. operating pressure:	350 bar (5000 psi)
Rated flow:	40 l/min (11 gpm)
Cavity:	SAE-08-2N
Weight:	0,13 kg (0,29 lbs)
Min. voltage required:	90% of nominal
Coil type:	M7 or M3 type
Ambient temperature:	-20/+50 °C (-4/+122 °F)
Contamination class to ISO 4406:	See technical spec.
Seal kit:	RB900081
Installation torque:	45 - 50 Nm (33,2 - 36,9 ft-lb)
MTF _a :	150 - 1200 years: See technical spec.

NOTES

For other configurations/quick codes not available in this catalogue page please consult factory

PATENT PENDING

CURVES

OPTIONS

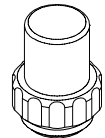
Standard



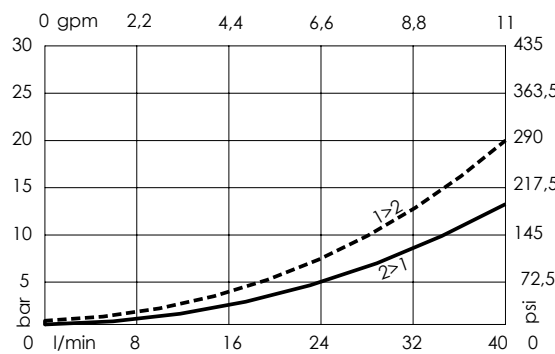
Knob style
override



SEALING CAP



Ordering code:
AT000113



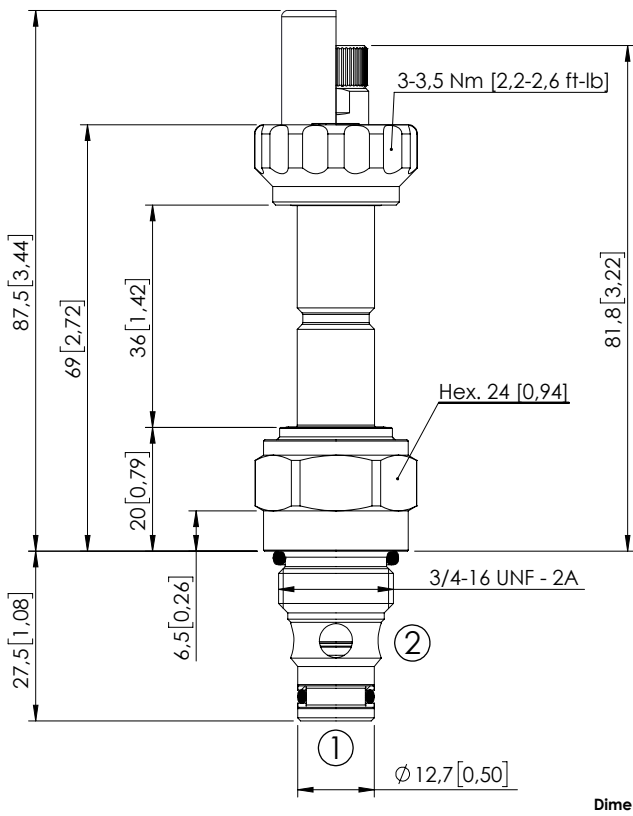
ORDERING CODES

Quick code	Description	Options	Max operating pressure
CE001875	CEBE-040-NCFN-31-S08-N350	Standard	350 bar (5000 psi)
CE001876	CEBE-040-NCFK-31-S08-N350	Knob style override	350 bar (5000 psi)

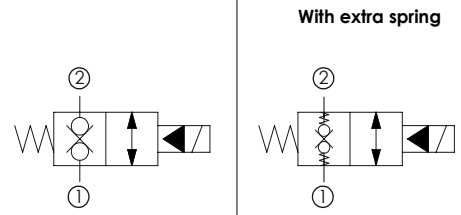
SOLENOID OPERATED CARTRIDGE

CEBN-060-NCFN-31

PILOT OPERATED
POPPET TYPE



Dimensions: mm [inches]



SPECIFICATIONS

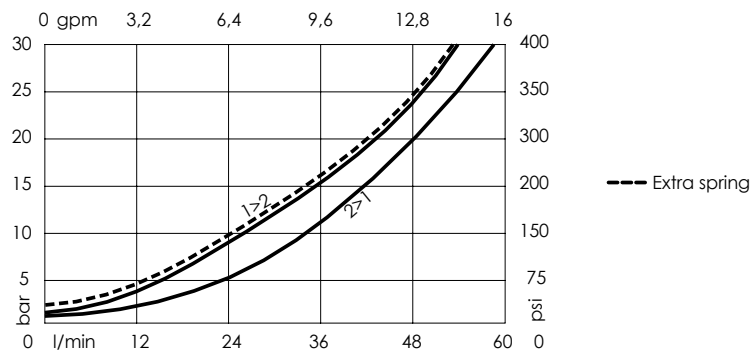
Max. operating pressure:	350/500 bar (5000/7200 psi)
Rated flow:	60 l/min (16 gpm)
Cavity:	SAE-08-2N
Weight:	0,15 kg (0,33 lbs)
Min. voltage required:	90% of nominal
Coil type:	M7 or M3 type
Ambient temperature:	-20/+50 °C (-4/+122 °F)
Contamination class to ISO 4406:	See technical spec.
Seal kit:	RB900081
Installation torque:	45 - 50 Nm (33 - 37 ft-lb)
MTF _a :	150 - 1200 years: See technical spec.

NOTES

For other configurations/quick codes not available in this catalogue page please consult factory

PATENT PENDING

CURVES



OPTIONS

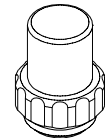
Standard



Knob style override



SEALING CAP



Ordering code:
AT000113

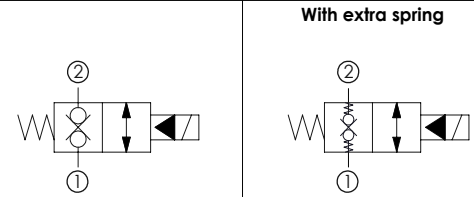
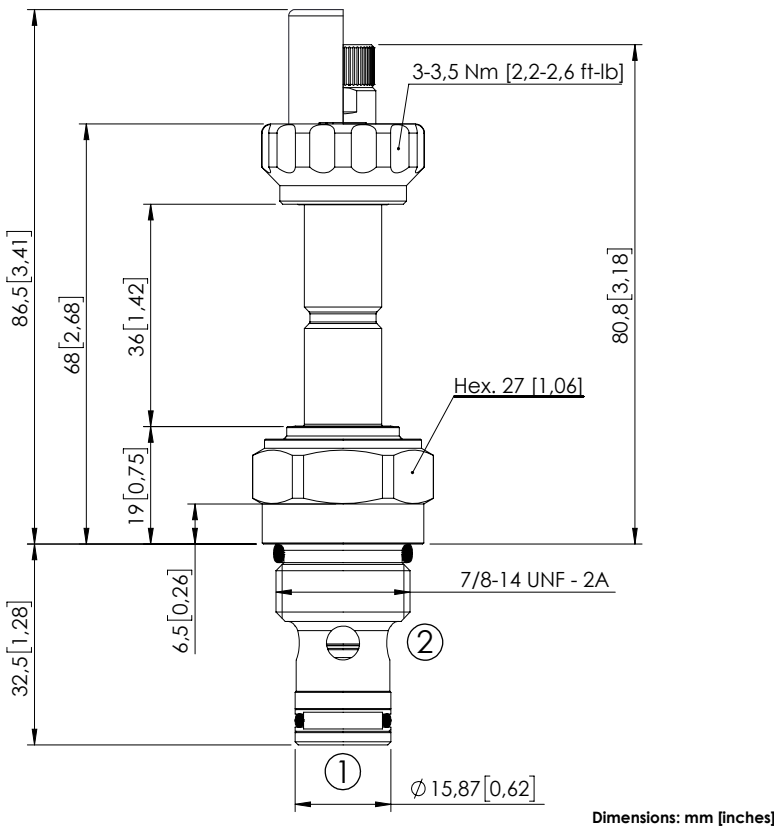
ORDERING CODES

Quick code	Description	Options	Max operating pressure	Extra Spring
CE000226	CEBN-060-NCFN-31-S08-N350	Standard	350 bar (5000 psi)	No
CE000228	CEBN-060-NCFK-31-S08-N350	Knob style override	350 bar (5000 psi)	No
CE000227	CEBN-060-XCFN-31-S08-N350	Standard	350 bar (5000 psi)	Yes
CE000229	CEBN-060-XCFK-31-S08-N350	Knob style override	350 bar (5000 psi)	Yes
CE000526	CEBN-060-NCFN-31-S08-N500	Standard	500 bar (7200 psi)	No
CE000528	CEBN-060-NCFK-31-S08-N500	Knob style override	500 bar (7200 psi)	No

SOLENOID OPERATED CARTRIDGE



CEBN-080-NCFN-31 PILOT OPERATED POPPET TYPE



SPECIFICATIONS

Max. operating pressure:	350/500 bar (5000/7200 psi)
Rated flow:	80 l/min (21 gpm)
Cavity:	SAE-10-2N
Weight:	0,18 kg (0,40 lbs)
Min. voltage required:	90% of nominal
Coil type:	M7 or M3 type
Ambient temperature:	-20/+50 °C (-4/+122 °F)
Contamination class to ISO 4406:	See technical spec.
Seal kit:	RB900082
Installation torque:	55 - 62 Nm (41 - 46 ft-lb)
MTF _a :	150 - 1200 years: See technical spec.

NOTES

For other configurations/quick codes not available in this catalogue page please consult factory
PATENT PENDING

OPTIONS

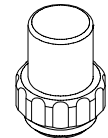
Standard



Knob style override

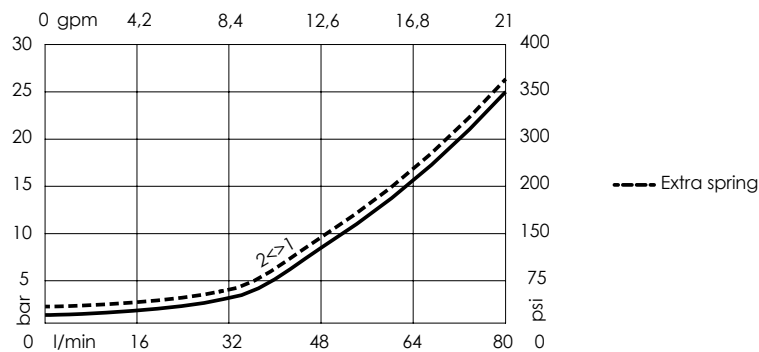


SEALING CAP



Ordering code:
AT000113

CURVES



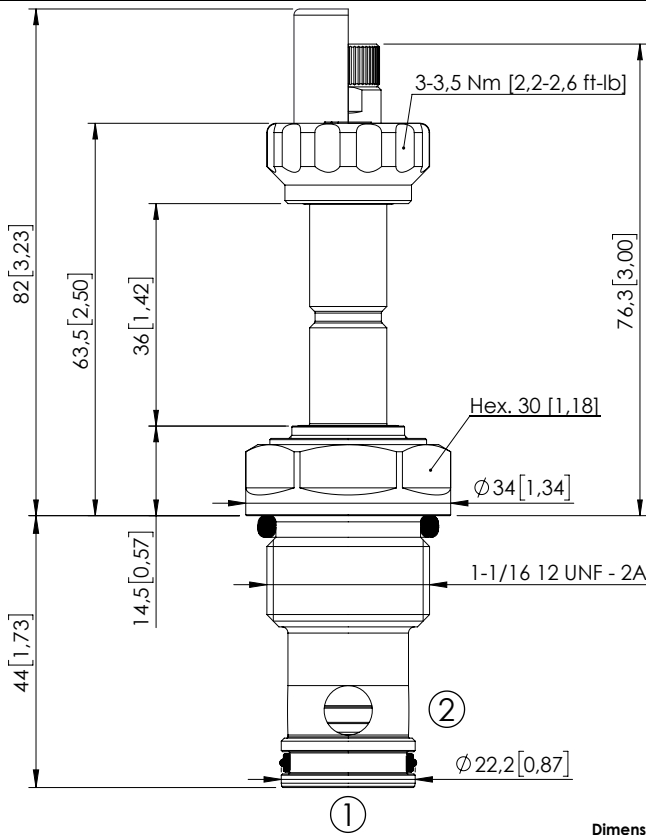
ORDERING CODES

Quick code	Description	Options	Max operating pressure	Extra Spring
CE000261	CEBN-080-NCFN-31-S10-N350	Standard	350 bar (5000 psi)	No
CE000263	CEBN-080-NCFK-31-S10-N350	Knob style override	350 bar (5000 psi)	No
CE000262	CEBN-080-XCFN-31-S10-N350	Standard	350 bar (5000 psi)	Yes
CE000264	CEBN-080-XCFK-31-S10-N350	Knob style override	350 bar (5000 psi)	Yes
CE000561	CEBN-080-NCFN-31-S10-N500	Standard	500 bar (7200 psi)	No
CE000563	CEBN-080-NCFK-31-S10-N500	Knob style override	500 bar (7200 psi)	No

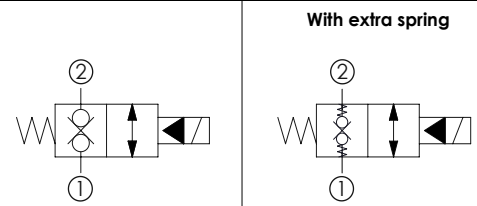
SOLENOID OPERATED CARTRIDGE

CEBN-190-NCFN-31

PILOT OPERATED
POPPET TYPE



Dimensions: mm [inches]



SPECIFICATIONS

Max. operating pressure:	350/500 bar (5000/7200 psi)
Rated flow:	190 l/min (50 gpm)
Cavity:	SAE-12-2N
Weight:	0.25 kg (0.55 lbs)
Min. voltage required:	90% of nominal
Coil type:	M7 or M3 type
Ambient temperature:	-20/+50 °C (-4/+122 °F)
Contamination class to ISO 4406:	See technical spec.
Seal kit:	RB600083
Installation torque:	135 - 150 Nm (100 - 111 ft-lb)
MTF _a :	150 - 1200 years: See technical spec.

NOTES

For other configurations/quick codes not available in this catalogue page please consult factory

PATENT PENDING

OPTIONS

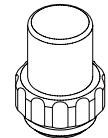
Standard



Knob style override

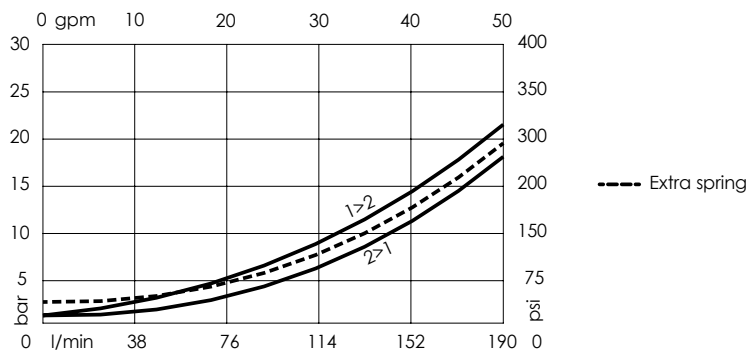


SEALING CAP



Ordering code:
AT000113

CURVES



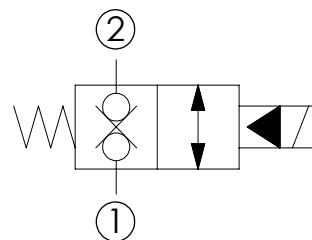
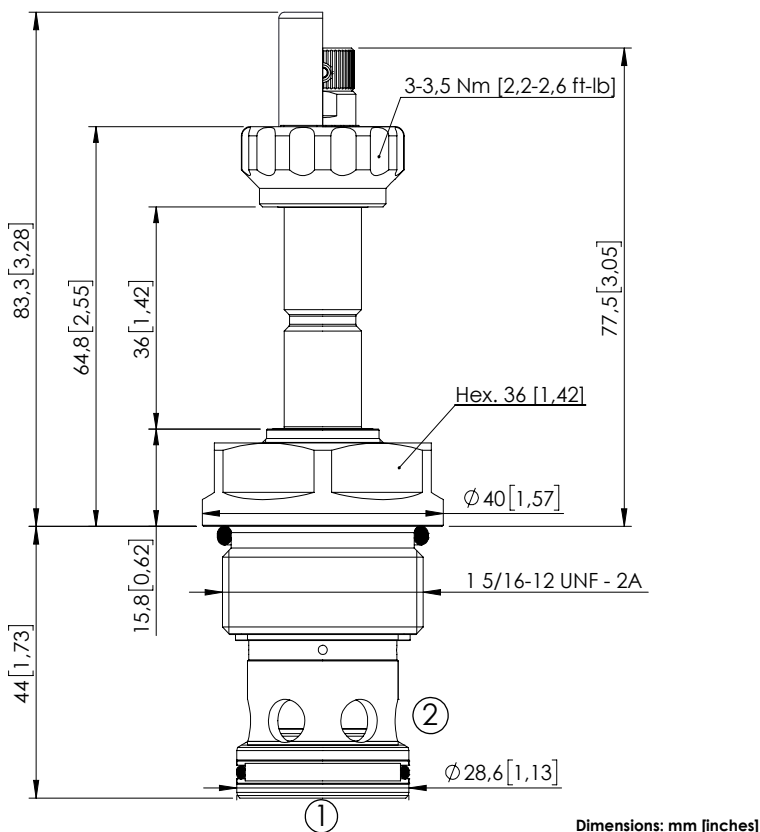
ORDERING CODES

Quick code	Description	Options	Max operating pressure	Extra Spring
CE000331	CEBN-190-NCFN-31-S12-N350	Standard	350 bar (5000 psi)	No
CE000333	CEBN-190-NCFK-31-S12-N350	Knob style override	350 bar (5000 psi)	No
CE000332	CEBN-190-XCFN-31-S12-N350	Standard	350 bar (5000 psi)	Yes
CE000334	CEBN-190-XCFK-31-S12-N350	Knob style override	350 bar (5000 psi)	Yes
CE000631	CEBN-190-NCFN-31-S12-N500	Standard	500 bar (7200 psi)	No
CE000633	CEBN-190-NCFK-31-S12-N500	Knob style override	500 bar (7200 psi)	No

SOLENOID OPERATED CARTRIDGE

CEBN-310-NCFN-31

PILOT OPERATED
POPPET TYPE



SPECIFICATIONS

Max. operating pressure:	350/500 bar (5000/7200 psi)
Rated flow:	310 l/min (82 gpm)
Cavity:	SAE-16-2N
Weight:	0,36 kg (0,79 lbs)
Min. voltage required:	90% of nominal
Coil type:	M7 or M3 type
Ambient temperature:	-20/+50 °C (-4/+122 °F)
Contamination class to ISO 4406:	See technical spec.
Seal kit:	RB900084
Installation torque:	200 - 210 Nm (148 - 155 ft-lb)
MTTF _a :	150 - 1200 years: See technical spec.

NOTES

For other configurations/quick codes not available in this catalogue page please consult factory

PATENT PENDING

OPTIONS

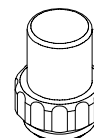
Standard



Knob style override

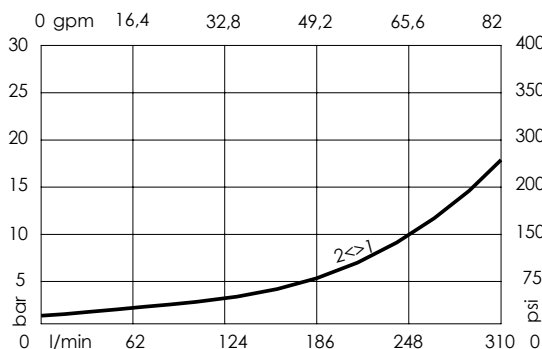


SEALING CAP



Ordering code:
AT000113

CURVES



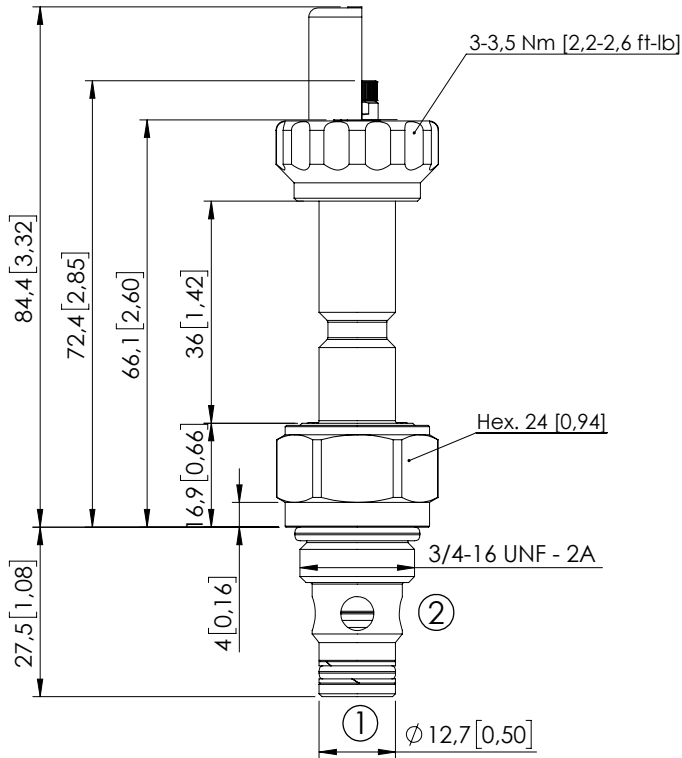
ORDERING CODES

Quick code	Description	Options	Max operating pressure
CE000401	CEBN-310-NCFN-31-S16-N350	Standard	350 bar (5000 psi)
CE000403	CEBN-310-NCFK-31-S16-N350	Knob style override	350 bar (5000 psi)
CE000701	CEBN-310-NCFN-31-S16-N500	Standard	500 bar (7200 psi)
CE000703	CEBN-310-NCFK-31-S16-N500	Knob style override	500 bar (7200 psi)

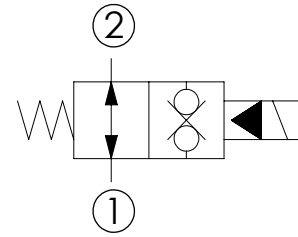
SOLENOID OPERATED CARTRIDGE

CEBE-040-NAFN-32

PILOT OPERATED POPPET TYPE



Dimensions: mm [inches]



SPECIFICATIONS

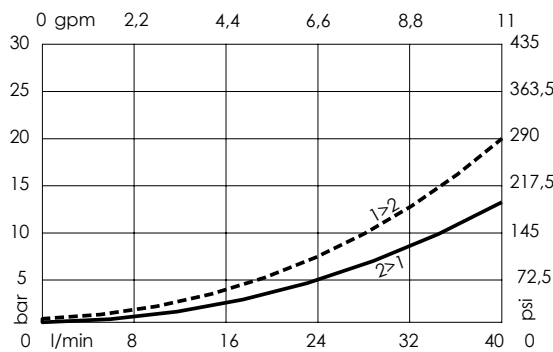
Max. operating pressure:	350 bar (5000 psi)
Rated flow:	40 l/min (11 gpm)
Cavity:	SAE-08-2N
Weight:	0,13 kg (0,29 lbs)
Min. voltage required:	90% of nominal
Coil type:	M7 or M3 type
Ambient temperature:	-20/+50 °C (-4/+122 °F)
Contamination class to ISO 4406:	See technical spec.
Seal kit:	RB900081
Installation torque:	45 - 50 Nm (33,2 - 36,9 ft-lb)
MTF _a :	150 - 1200 years: See technical spec.

NOTES

For other configurations/quick codes not available in this catalogue page please consult factory

PATENT PENDING

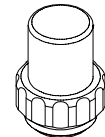
CURVES



OPTIONS

- Standard
- Push style override
- Knob style override

SEALING CAP



Ordering code:
AT000113

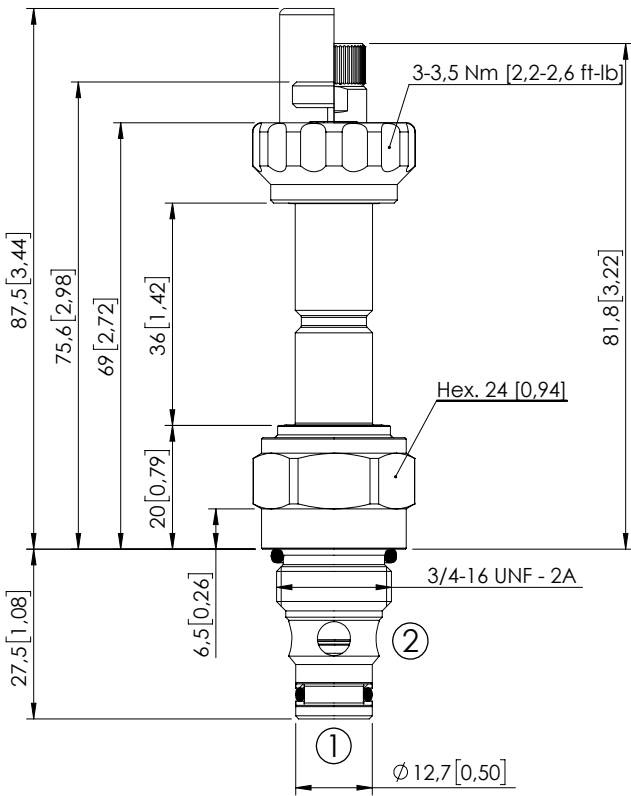
ORDERING CODES

Quick code	Description	Options	Max operating pressure
CE001877	CEBE-040-NAFN-32-S08-N350	Standard	350 bar (5000 psi)
CE001878	CEBE-040-NAFP-32-S08-N350	Push style override	350 bar (5000 psi)
CE001879	CEBE-040-NAFK-32-S08-N350	Knob style override	350 bar (5000 psi)

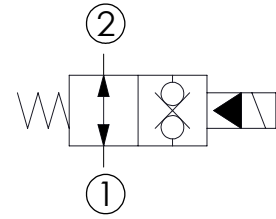
SOLENOID OPERATED CARTRIDGE



CEBN-060-NAFN-32 PILOT OPERATED POPPET TYPE



Dimensions: mm [inches]



SPECIFICATIONS

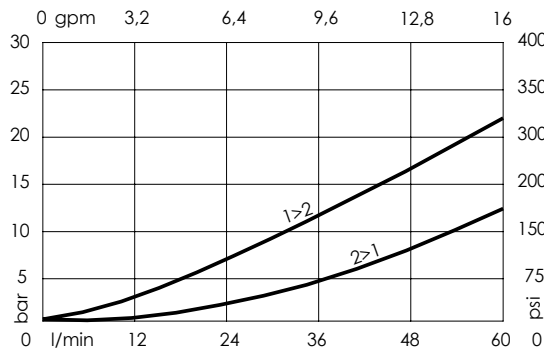
Max. operating pressure:	350/500 bar (5000/7200 psi)
Rated flow:	60 l/min (16 gpm)
Cavity:	SAE-08-2N
Weight:	0,15 kg (0,33 lbs)
Min. voltage required:	90% of nominal
Coil type:	M7 or M3 type
Ambient temperature:	-20/+50 °C (-4/+122 °F)
Contamination class to ISO 4406:	See technical spec.
Seal kit:	RB900081
Installation torque:	45 - 50 Nm (33 - 37 ft-lb)
MTF _a :	150 - 1200 years: See technical spec.

NOTES

For other configurations/quick codes not available in this catalogue page please consult factory

PATENT PENDING

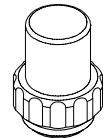
CURVES



OPTIONS

- Standard
- Push style override
- Knob style override

SEALING CAP



Ordering code:
AT000113

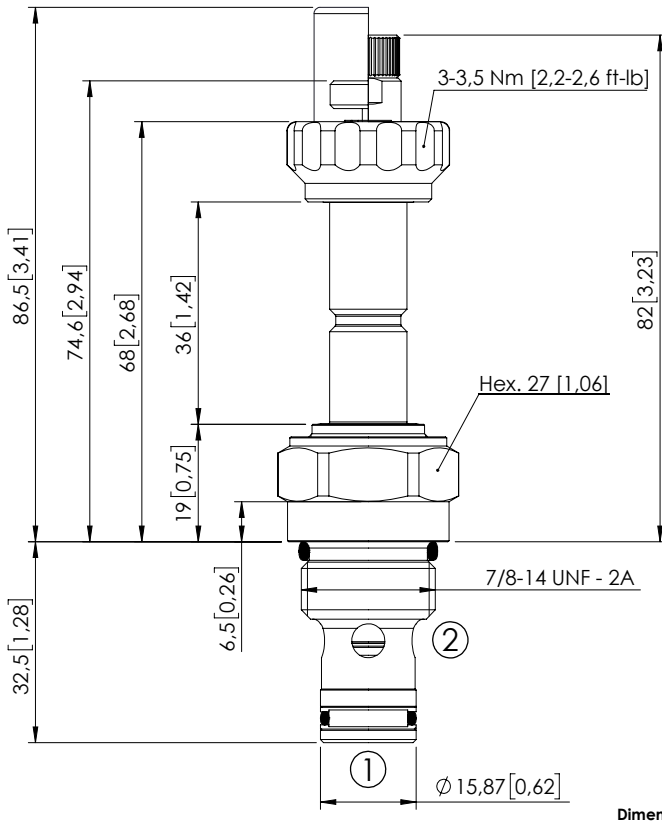
ORDERING CODES

Quick code	Description	Options	Max operating pressure
CE000242	CEBN-060-NAFN-32-S08-N350	Standard	350 bar (5000 psi)
CE000243	CEBN-060-NAFP-32-S08-N350	Push style override	350 bar (5000 psi)
CE000244	CEBN-060-NAFK-32-S08-N350	Knob style override	350 bar (5000 psi)
CE000542	CEBN-060-NAFN-32-S08-N500	Standard	500 bar (7200 psi)
CE000543	CEBN-060-NAFP-32-S08-N500	Push style override	500 bar (7200 psi)
CE000544	CEBN-060-NAFK-32-S08-N500	Knob style override	500 bar (7200 psi)

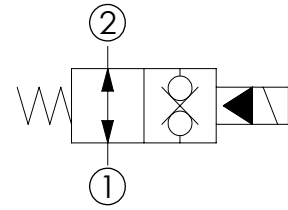
SOLENOID OPERATED CARTRIDGE

CEBN-080-NAFN-32

PILOT OPERATED POPPET TYPE



Dimensions: mm [inches]



SPECIFICATIONS

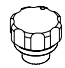
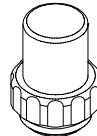
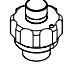
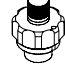
Max. operating pressure:	350/500 bar (5000/7200 psi)
Rated flow:	80 l/min (21 gpm)
Cavity:	SAE-10-2N
Weight:	0,18 kg (0,40 lbs)
Min. voltage required:	90% of nominal
Coil type:	M7 or M3 type
Ambient temperature:	-20/+50 °C (-4/+122 °F)
Contamination class to ISO 4406:	See technical spec.
Seal kit:	RB900082
Installation torque:	55 - 62 Nm (41 - 46 ft-lb)
MTF _a :	150 - 1200 years: See technical spec.

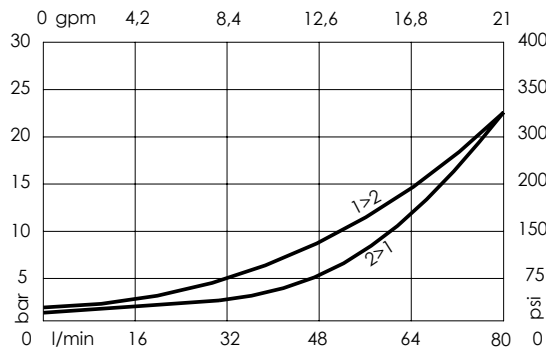
NOTES

For other configurations/quick codes not available in this catalogue page please consult factory

PATENT PENDING

CURVES

OPTIONS	SEALING CAP
Standard 	 Ordering code: AT000113
Push style override 	
Knob style override 	



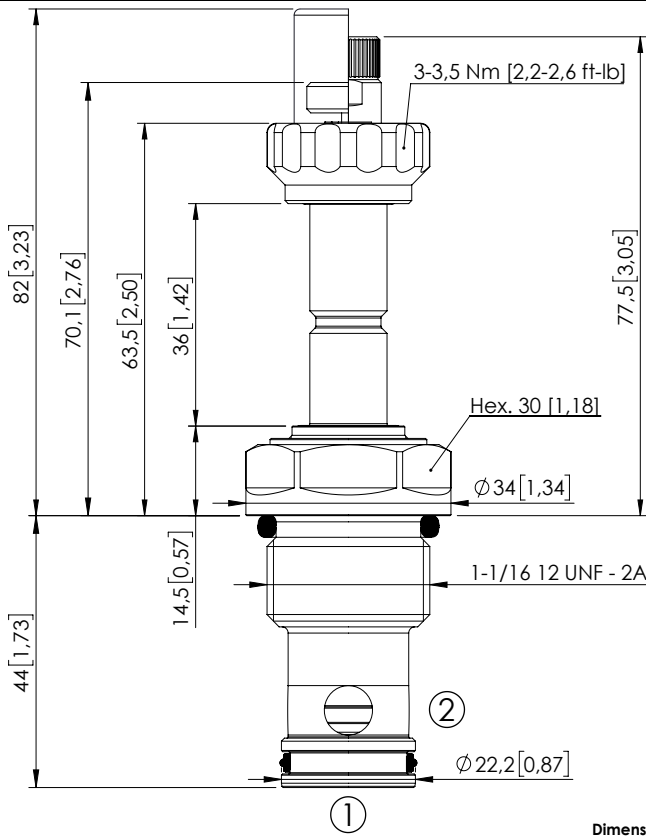
ORDERING CODES

Quick code	Description	Options	Max operating pressure
CE000277	CEBN-080-NAFN-32-S10-N350	Standard	350 bar (5000 psi)
CE000278	CEBN-080-NAFP-32-S10-N350	Push style override	350 bar (5000 psi)
CE000279	CEBN-080-NAFK-32-S10-N350	Knob style override	350 bar (5000 psi)
CE000577	CEBN-080-NAFN-32-S10-N500	Standard	500 bar (7200 psi)
CE000578	CEBN-080-NAFP-32-S10-N500	Push style override	500 bar (7200 psi)
CE000579	CEBN-080-NAFK-32-S10-N500	Knob style override	500 bar (7200 psi)

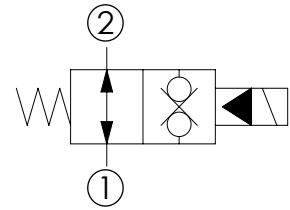
SOLENOID OPERATED CARTRIDGE



CEBN-190-NAFN-32 PILOT OPERATED POPPET TYPE



Dimensions: mm [inches]



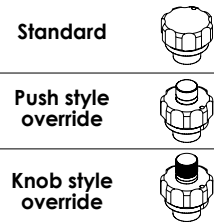
SPECIFICATIONS

Max. operating pressure:	350/500 bar (5000/7200 psi)
Rated flow:	190 l/min (50 gpm)
Cavity:	SAE-12-2N
Weight:	0.25 kg (0.55 lbs)
Min. voltage required:	90% of nominal
Coil type:	M7 or M3 type
Ambient temperature:	-20/+50 °C (-4/+122 °F)
Contamination class to ISO 4406:	See technical spec.
Seal kit:	RB900083
Installation torque:	135 - 150 Nm (100 - 111 ft-lb)
MTTF:	150 - 1200 years: See technical spec.

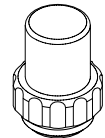
NOTES

For other configurations/quick codes not available in this catalogue page please consult factory
PATENT PENDING

OPTIONS

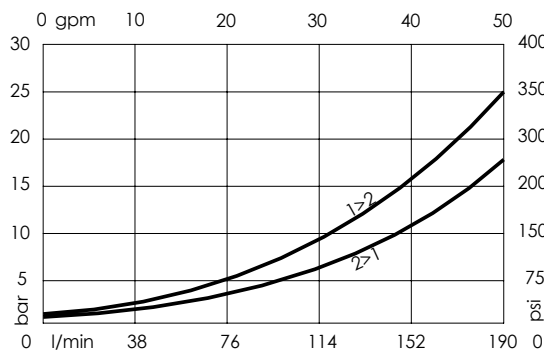


SEALING CAP



Ordering code:
AT000113

CURVES

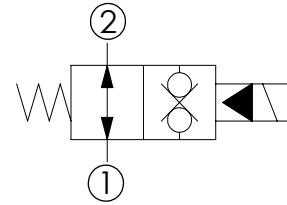
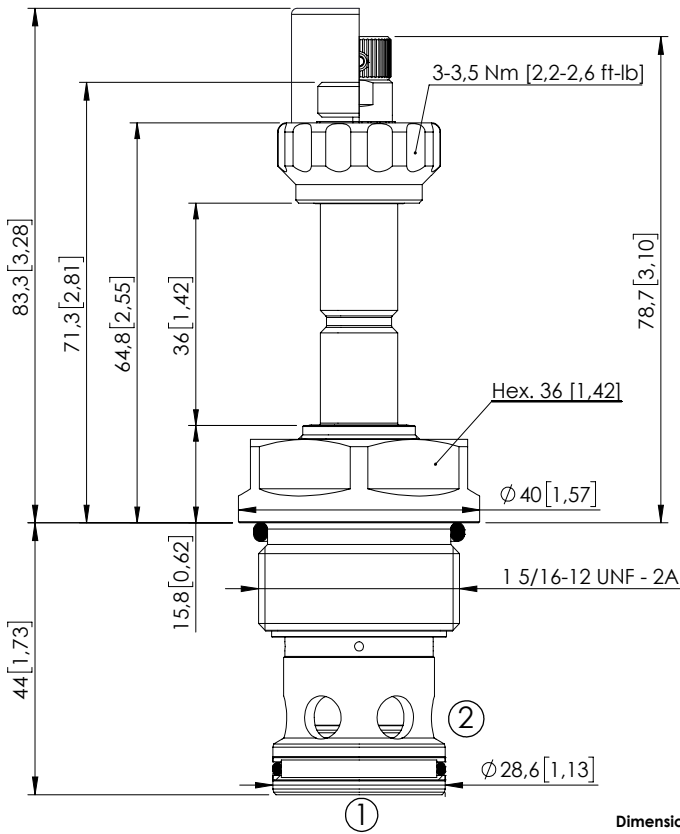


ORDERING CODES

Quick code	Description	Options	Max operating pressure
CE000347	CEBN-190-NAFN-32-S12-N350	Standard	350 bar (5000 psi)
CE000348	CEBN-190-NAFP-32-S12-N350	Push style override	350 bar (5000 psi)
CE000349	CEBN-190-NAFK-32-S12-N350	Knob style override	350 bar (5000 psi)
CE000647	CEBN-190-NAFN-32-S12-N500	Standard	500 bar (7200 psi)
CE000648	CEBN-190-NAFP-32-S12-N500	Push style override	500 bar (7200 psi)
CE000649	CEBN-190-NAFK-32-S12-N500	Knob style override	500 bar (7200 psi)

SOLENOID OPERATED CARTRIDGE

CEBN-310-NAFN-32 PILOT OPERATED POPPET TYPE



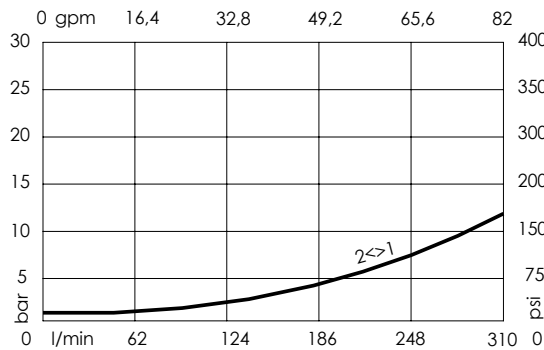
SPECIFICATIONS

Max. operating pressure:	350/500 bar (5000/7200 psi)
Rated flow:	310 l/min (82 gpm)
Cavity:	SAE-16-2N
Weight:	0,36 kg (0,79 lbs)
Min. voltage required:	90% of nominal
Coil type:	M7 or M3 type
Ambient temperature:	-20/+50 °C (-4/+122 °F)
Contamination class to ISO 4406:	See technical spec.
Seal kit:	RB900084
Installation torque:	200 - 210 Nm (148 - 155 ft-lb)
MTTF:	150 - 1200 years: See technical spec.

NOTES

For other configurations/quick codes not available in this catalogue page please consult factory
PATENT PENDING

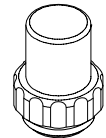
CURVES



OPTIONS

- Standard
- Push style override
- Knob style override

SEALING CAP



Ordering code:
AT000113

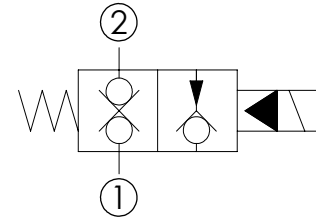
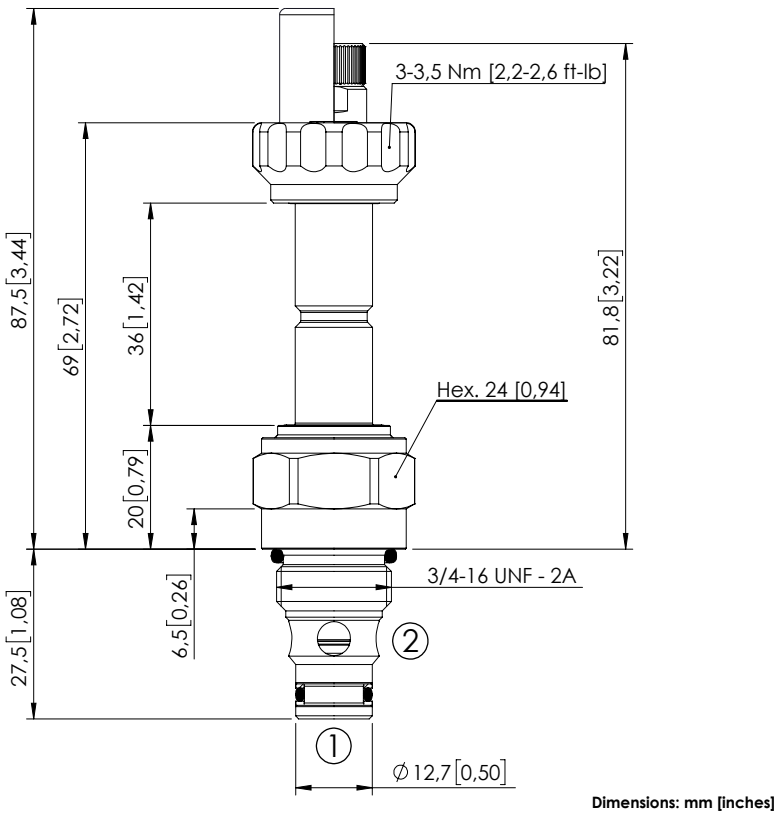
ORDERING CODES

Quick code	Description	Options	Max operating pressure
CE000417	CEBN-310-NAFN-32-S16-N350	Standard	350 bar (5000 psi)
CE000418	CEBN-310-NAFP-32-S16-N350	Push style override	350 bar (5000 psi)
CE000419	CEBN-310-NAFK-32-S16-N350	Knob style override	350 bar (5000 psi)
CE000717	CEBN-310-NAFN-32-S16-N500	Standard	500 bar (7200 psi)
CE000718	CEBN-310-NAFP-32-S16-N500	Push style override	500 bar (7200 psi)
CE000719	CEBN-310-NAFK-32-S16-N500	Knob style override	500 bar (7200 psi)

SOLENOID OPERATED CARTRIDGE



CEBN-060-NCFN-11 PILOT OPERATED POPPET TYPE



SPECIFICATIONS

Max. operating pressure:	350/500 bar (5000/7200 psi)
Rated flow:	60 l/min (16 gpm)
Cavity:	SAE-08-2N
Weight:	0,15 kg (0,30 lbs)
Min. voltage required:	90% of nominal
Coil type:	M7 or M3 type
Ambient temperature:	-20/+50 °C (-4/+122 °F)
Contamination class to ISO 4406:	See technical spec.
Seal kit:	RB900081
Installation torque:	45 - 50 Nm (33 - 37 ft-lb)
MTTF:	150 - 1200 years: See technical spec.

NOTES

For other configurations/quick codes not available in this catalogue page please consult factory
PATENT PENDING

OPTIONS

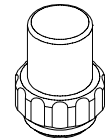
Standard



Knob style override

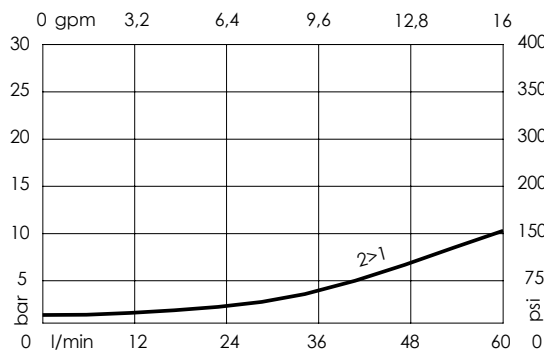


SEALING CAP



Ordering code:
AT000113

CURVES



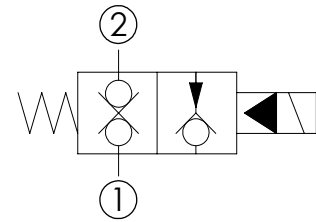
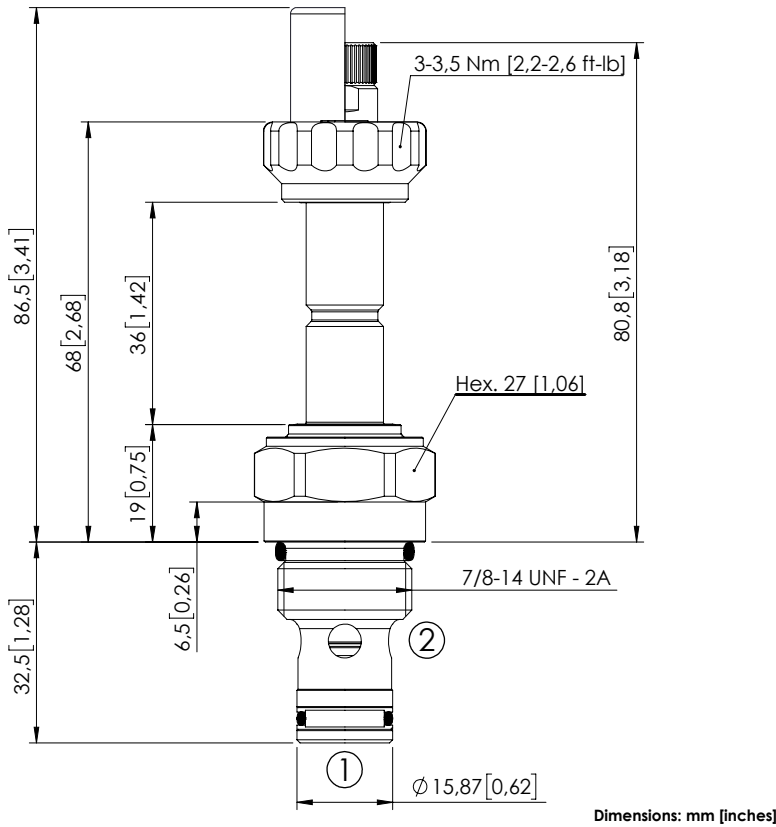
ORDERING CODES

Quick code	Description	Options	Max operating pressure
CE000222	CEBN-060-NCFN-11-S08-N350	Standard	350 bar (5000 psi)
CE000224	CEBN-060-NCFK-11-S08-N350	Knob style override	350 bar (5000 psi)
CE000522	CEBN-060-NCFN-11-S08-N500	Standard	500 bar (7200 psi)
CE000524	CEBN-060-NCFK-11-S08-N500	Knob style override	500 bar (7200 psi)

SOLENOID OPERATED CARTRIDGE

CEBN-080-NCFN-11

PILOT OPERATED
POPPET TYPE



SPECIFICATIONS

Max. operating pressure:	350/500 bar (5000/7200 psi)
Rated flow:	80 l/min (21 gpm)
Cavity:	SAE-10-2N
Weight:	0,18 kg (0,40 lbs)
Min. voltage required:	90% of nominal
Coil type:	M7 or M3 type
Ambient temperature:	-20/+50 °C (-4/+122 °F)
Contamination class to ISO 4406:	See technical spec.
Seal kit:	RB900082
Installation torque:	55 - 62 Nm (41 - 46 ft-lb)
MTF _a :	150 - 1200 years: See technical spec.

NOTES

For other configurations/quick codes not available in this catalogue page please consult factory

PATENT PENDING

OPTIONS

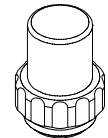
Standard



Knob style override

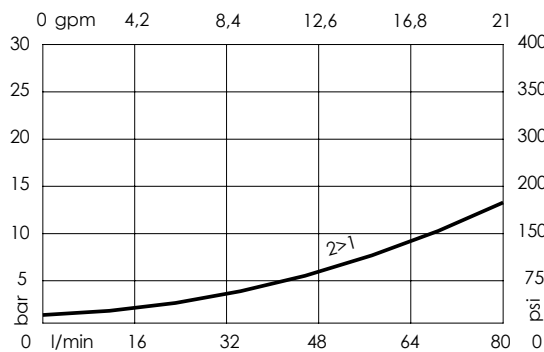


SEALING CAP



Ordering code:
AT000113

CURVES



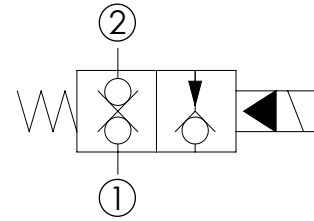
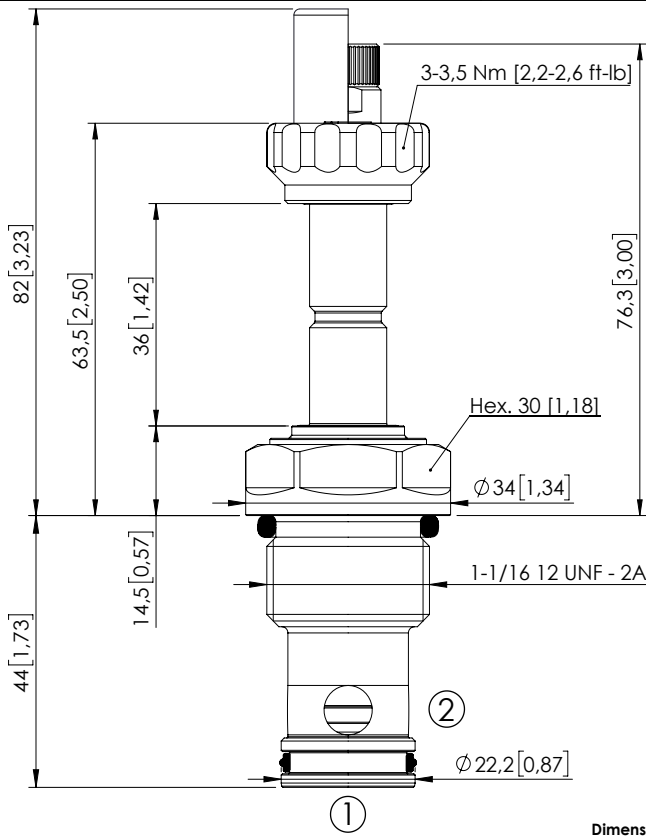
ORDERING CODES

Quick code	Description	Options	Max operating pressure
CE000257	CEBN-080-NCFN-11-S10-N350	Standard	350 bar (5000 psi)
CE000259	CEBN-080-NCFK-11-S10-N350	Knob style override	350 bar (5000 psi)
CE000557	CEBN-080-NCFN-11-S10-N500	Standard	500 bar (7200 psi)
CE000559	CEBN-080-NCFK-11-S10-N500	Knob style override	500 bar (7200 psi)

SOLENOID OPERATED CARTRIDGE



CEBN-190-NCFN-11 PILOT OPERATED POPPET TYPE



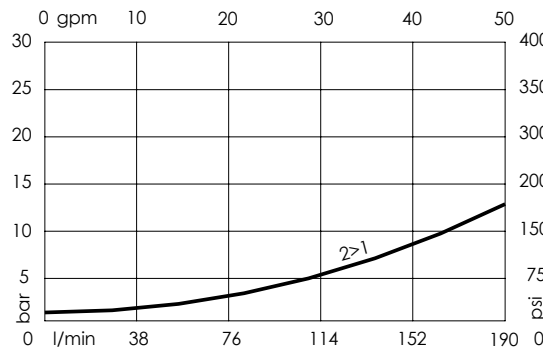
SPECIFICATIONS

Max. operating pressure:	350/500 bar (5000/7200 psi)
Rated flow:	190 l/min (50 gpm)
Cavity:	SAE-12-2N
Weight:	0.25 kg (0.55 lbs)
Min. voltage required:	90% of nominal
Coil type:	M7 or M3 type
Ambient temperature:	-20/+50 °C (-4/+122 °F)
Contamination class to ISO 4406:	See technical spec.
Seal kit:	RB600083
Installation torque:	135 - 150 Nm (100 - 111 ft.-lb)
MTTF:	150 - 1200 years: See technical spec.

NOTES

For other configurations/quick codes not available in this catalogue page please consult factory
PATENT PENDING

CURVES



OPTIONS

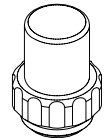
Standard



Knob style override



SEALING CAP



Ordering code:
AT000113

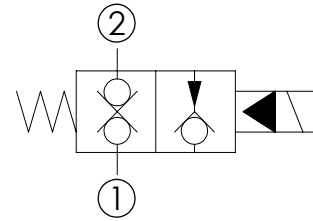
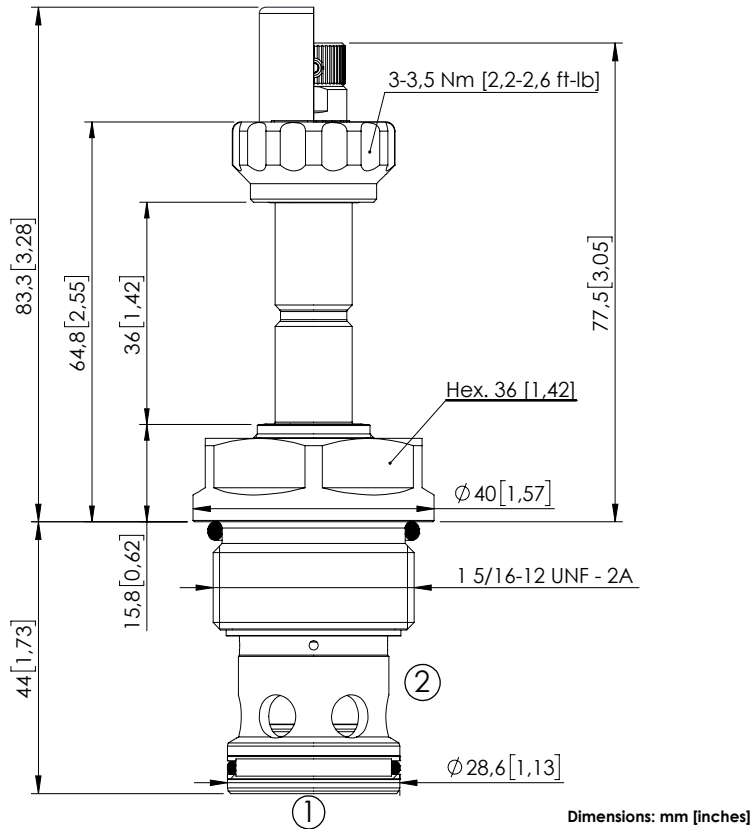
ORDERING CODES

Quick code	Description	Options	Max operating pressure
CE000327	CEBN-190-NCFN-11-S12-N350	Standard	350 bar (5000 psi)
CE000329	CEBN-190-NCFK-11-S12-N350	Knob style override	350 bar (5000 psi)
CE000627	CEBN-190-NCFN-11-S12-N500	Standard	500 bar (7200 psi)
CE000629	CEBN-190-NCFK-11-S12-N500	Knob style override	500 bar (7200 psi)

SOLENOID OPERATED CARTRIDGE

CEBN-310-NCFN-11

PILOT OPERATED
POPPET TYPE



SPECIFICATIONS

Max. operating pressure:	350/500 bar (5000/7200 psi)
Rated flow:	310 l/min (82 gpm)
Cavity:	SAE-16-2N
Weight:	0,36 kg (0,79 lbs)
Min. voltage required:	90% of nominal
Coil type:	M7 or M3 type
Ambient temperature:	-20/+50 °C (-4/+122 °F)
Contamination class to ISO 4406:	See technical spec.
Seal kit:	RB900084
Installation torque:	200 - 210 Nm (148 - 156 ft-lb)
MTTF:	150 - 1200 years: See technical spec.

NOTES

For other configurations/quick codes not available in this catalogue page please consult factory

PATENT PENDING

OPTIONS

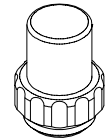
Standard



Knob style override

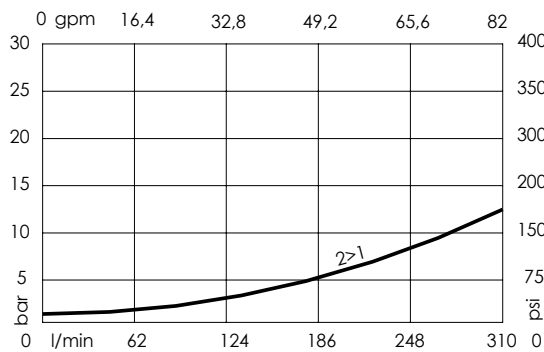


SEALING CAP



Ordering code:
AT000113

CURVES

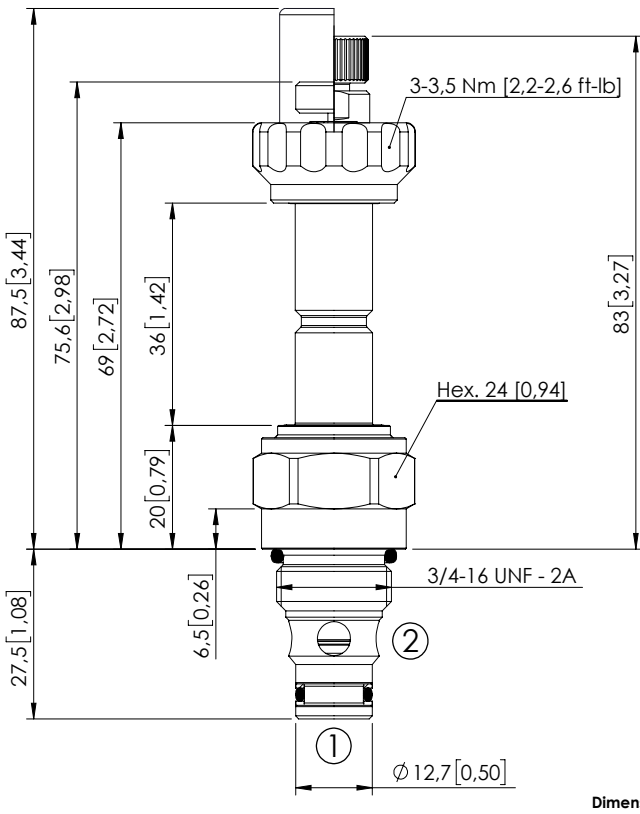


ORDERING CODES

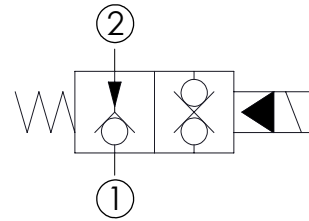
Quick code	Description	Options	Max operating pressure
CE000397	CEBN-310-NCFN-11-S16-N350	Standard	350 bar (5000 psi)
CE000399	CEBN-310-NCFK-11-S16-N350	Knob style override	350 bar (5000 psi)
CE000697	CEBN-310-NCFN-11-S16-N500	Standard	500 bar (7200 psi)
CE000699	CEBN-310-NCFK-11-S16-N500	Knob style override	500 bar (7200 psi)

SOLENOID OPERATED CARTRIDGE

CEBN-060-NAFN-12 PILOT OPERATED POPPET TYPE



Dimensions: mm [inches]



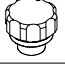
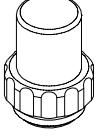
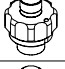
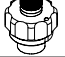
SPECIFICATIONS

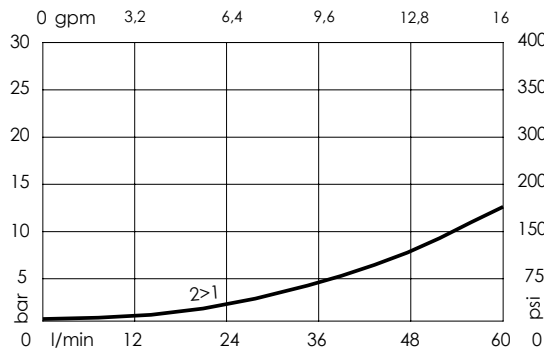
Max. operating pressure:	350/500 bar (5000/7200 psi)
Rated flow:	60 l/min (16 gpm)
Cavity:	SAE-08-2N
Weight:	0,15 kg (0,33 lbs)
Min. voltage required:	90% of nominal
Coil type:	M7 or M3 type
Ambient temperature:	-20/+50 °C (-4/+122 °F)
Contamination class to ISO 4406:	See technical spec.
Seal kit:	RB900081
Installation torque:	45 - 50 Nm (33 - 37 ft-lb)
MTTF:	150 - 1200 years: See technical spec.

NOTES

For other configurations/quick codes not available in this catalogue page please consult factory
PATENT PENDING

CURVES

OPTIONS	SEALING CAP
Standard 	 Ordering code: AT000113
Push style override 	
Knob style override 	



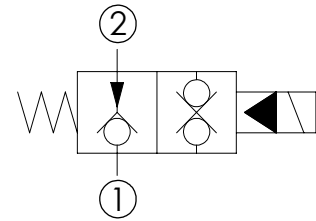
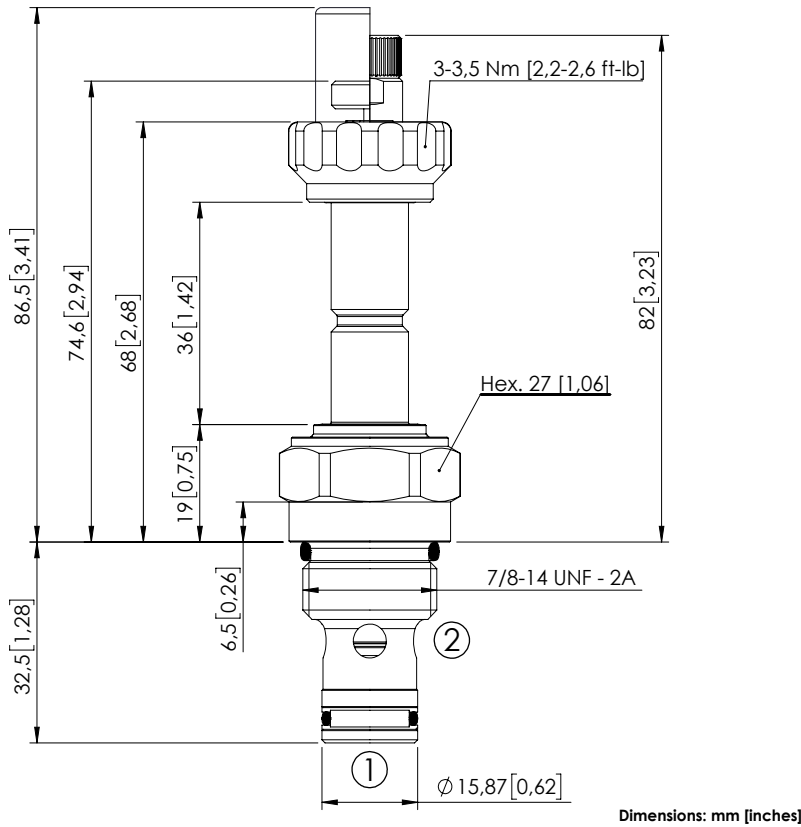
ORDERING CODES

Quick code	Description	Options	Max operating pressure
CE000239	CEBN-060-NAFN-12-S08-N350	Standard	350 bar (5000 psi)
CE000240	CEBN-060-NAFP-12-S08-N350	Push style override	350 bar (5000 psi)
CE000241	CEBN-060-NAFK-12-S08-N350	Knob style override	350 bar (5000 psi)
CE000539	CEBN-060-NAFN-12-S08-N500	Standard	500 bar (7200 psi)
CE000540	CEBN-060-NAFP-12-S08-N500	Push style override	500 bar (7200 psi)
CE000541	CEBN-060-NAFK-12-S08-N500	Knob style override	500 bar (7200 psi)

SOLENOID OPERATED CARTRIDGE

CEBN-080-NAFN-12

PILOT OPERATED POPPET TYPE



SPECIFICATIONS

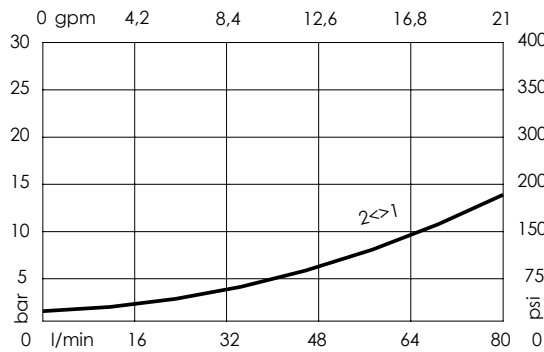
Max. operating pressure:	350/500 bar (5000/7200 psi)
Rated flow:	80 l/min (21 gpm)
Cavity:	SAE-10-2N
Weight:	0,18 kg (0,40 lbs)
Min. voltage required:	90% of nominal
Coil type:	M7 or M3 type
Ambient temperature:	-20/+50 °C (-4/+122 °F)
Contamination class to ISO 4406:	See technical spec.
Seal kit:	RB900082
Installation torque:	55 - 62 Nm (41 - 46 ft-lb)
MTTF:	150 - 1200 years: See technical spec.

NOTES

For other configurations/quick codes not available in this catalogue page please consult factory

PATENT PENDING

CURVES



OPTIONS	SEALING CAP
Standard	 Ordering code: AT000113
Push style override	
Knob style override	

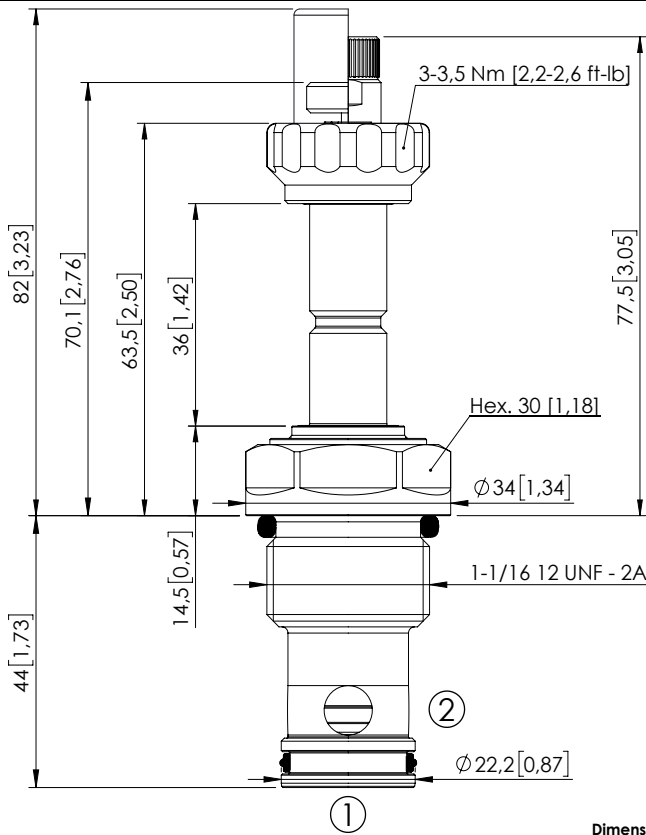
ORDERING CODES

Quick code	Description	Options	Max operating pressure
CE000274	CEBN-080-NAFN-12-S10-N350	Standard	350 bar (5000 psi)
CE000275	CEBN-080-NAFP-12-S10-N350	Push style override	350 bar (5000 psi)
CE000276	CEBN-080-NAFK-12-S10-N350	Knob style override	350 bar (5000 psi)
CE000574	CEBN-080-NAFN-12-S10-N500	Standard	500 bar (7200 psi)
CE000575	CEBN-080-NAFP-12-S10-N500	Push style override	500 bar (7200 psi)
CE000576	CEBN-080-NAFK-12-S10-N500	Knob style override	500 bar (7200 psi)

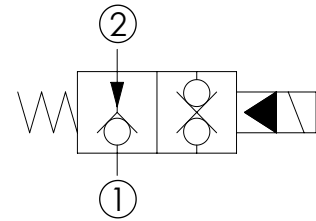
SOLENOID OPERATED CARTRIDGE



CEBN-190-NAFN-12 PILOT OPERATED POPPET TYPE



Dimensions: mm [inches]



SPECIFICATIONS


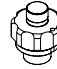
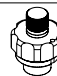
Max. operating pressure:	350/500 bar (5000/7200 psi)
Rated flow:	190 l/min (50 gpm)
Cavity:	SAE-12-2N
Weight:	0.25 kg (0,55 lbs)
Min. voltage required:	90% of nominal
Coil type:	M7 or M3 type
Ambient temperature:	-20/+50 °C (-4/+122 °F)
Contamination class to ISO 4406:	See technical spec.
Seal kit:	RB900083
Installation torque:	135 - 150 Nm (100 - 111 ft-lb)
MTTF:	150 - 1200 years: See technical spec.

NOTES

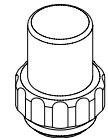
For other configurations/quick codes not available in this catalogue page please consult factory

PATENT PENDING

OPTIONS

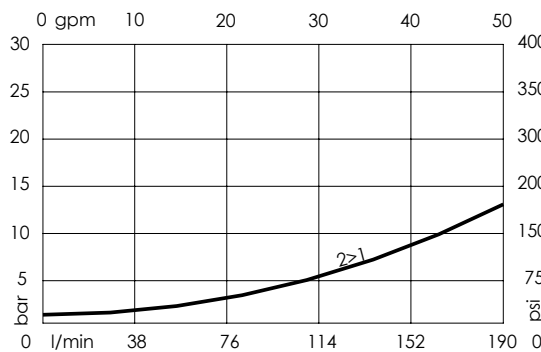
- Standard 
- Push style override 
- Knob style override 

SEALING CAP



Ordering code:
AT000113

CURVES

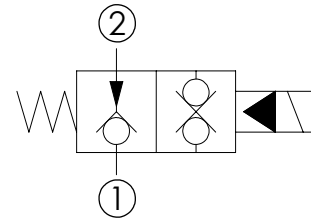
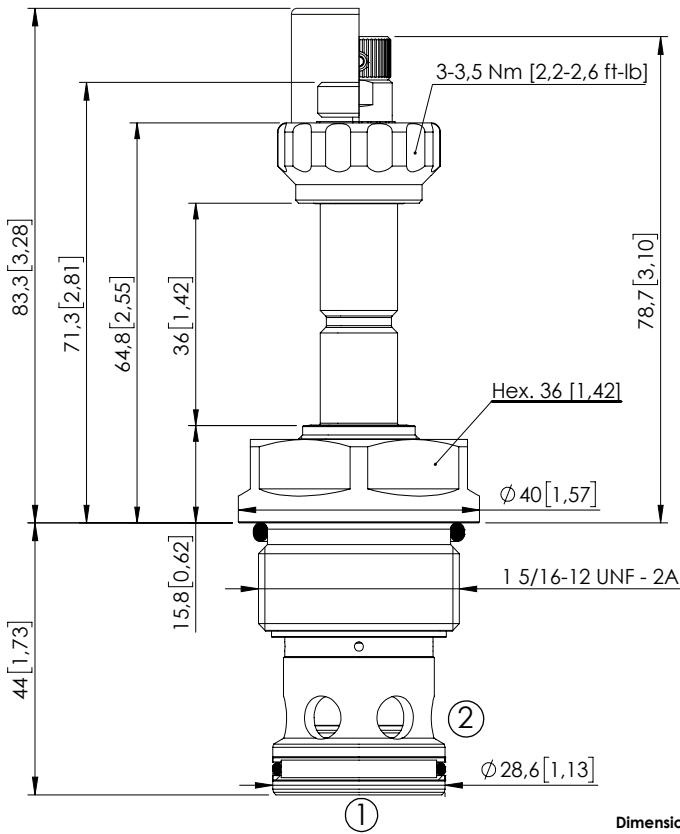


ORDERING CODES

Quick code	Description	Options	Max operating pressure
CE000344	CEBN-190-NAFN-12-S12-N350	Standard	350 bar (5000 psi)
CE000345	CEBN-190-NAFP-12-S12-N350	Push style override	350 bar (5000 psi)
CE000346	CEBN-190-NAFK-12-S12-N350	Knob style override	350 bar (5000 psi)
CE000644	CEBN-190-NAFN-12-S12-N500	Standard	500 bar (7200 psi)
CE000645	CEBN-190-NAFP-12-S12-N500	Push style override	500 bar (7200 psi)
CE000646	CEBN-190-NAFK-12-S12-N500	Knob style override	500 bar (7200 psi)

SOLENOID OPERATED CARTRIDGE

CEBN-310-NAFN-12 PILOT OPERATED POPPET TYPE



SPECIFICATIONS

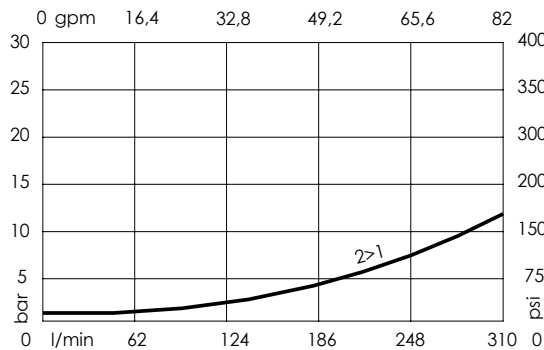
Max. operating pressure:	350/500 bar (5000/7200 psi)
Rated flow:	310 l/min (82 gpm)
Cavity:	SAE-16-2N
Weight:	0,36 kg (0,79 lbs)
Min. voltage required:	90% of nominal
Coil type:	M7 or M3 type
Ambient temperature:	-20/+50 °C (-4/+122 °F)
Contamination class to ISO 4406:	See technical spec.
Seal kit:	RB900084
Installation torque:	200 - 210 Nm (148 - 156 ft-lb)
MTF _d :	150 - 1200 years: See technical spec.

NOTES

For other configurations/quick codes not available in this catalogue page please consult factory

PATENT PENDING

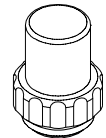
CURVES



OPTIONS

- Standard
- Push style override
- Knob style override

SEALING CAP



Ordering code: AT000113

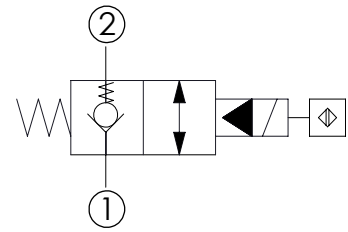
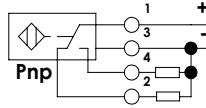
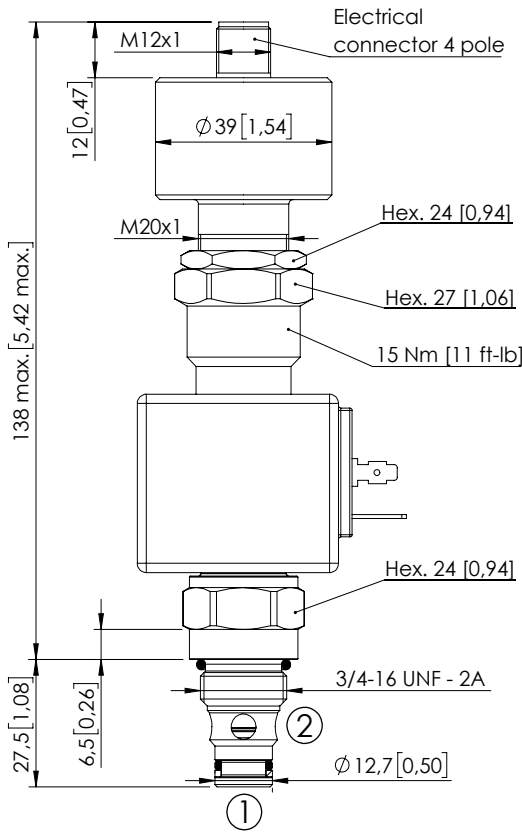
ORDERING CODES

Quick code	Description	Options	Max operating pressure
CE000414	CEBN-310-NAFN-12-S16-N350	Standard	350 bar (5000 psi)
CE000415	CEBN-310-NAFP-12-S16-N350	Push style override	350 bar (5000 psi)
CE000416	CEBN-310-NAFK-12-S16-N350	Knob style override	350 bar (5000 psi)
CE000714	CEBN-310-NAFN-12-S16-N500	Standard	500 bar (7200 psi)
CE000715	CEBN-310-NAFP-12-S16-N500	Push style override	500 bar (7200 psi)
CE000716	CEBN-310-NAFK-12-S16-N500	Knob style override	500 bar (7200 psi)

SOLENOID OPERATED CARTRIDGE

CEBN-060-XCDR-05

POPPET TYPE
PROXIMITY SENSOR



SPECIFICATIONS

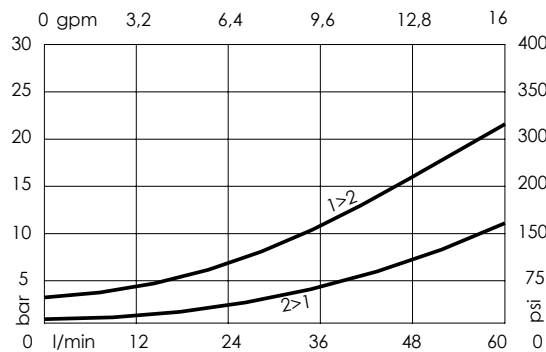
Max. operating pressure:	350 bar (5000 psi)
Rated flow:	60 l/min (16 gpm)
Cavity:	SAE-08-2N
Weight:	0,5 kg (0,33 lbs)
Min. voltage required:	90% of nominal
Coil type:	M7 type
Ambient temperature:	-20/+50 °C (-4/+122 °F)
Contamination class to ISO 4406:	See technical spec.
Seal kit:	RA100081
Installation torque:	45 - 50 Nm (33 - 37 ft-lb)
MTF _d :	150 - 1200 years: See technical spec.
Operating temperature:	-25/+80°C (-13/+176 °F)

Dimensions: mm [inches]

NOTES

For other configurations/quick codes not available in this catalogue page please consult factory

CURVES



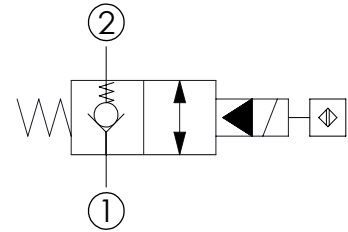
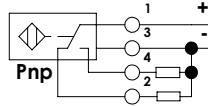
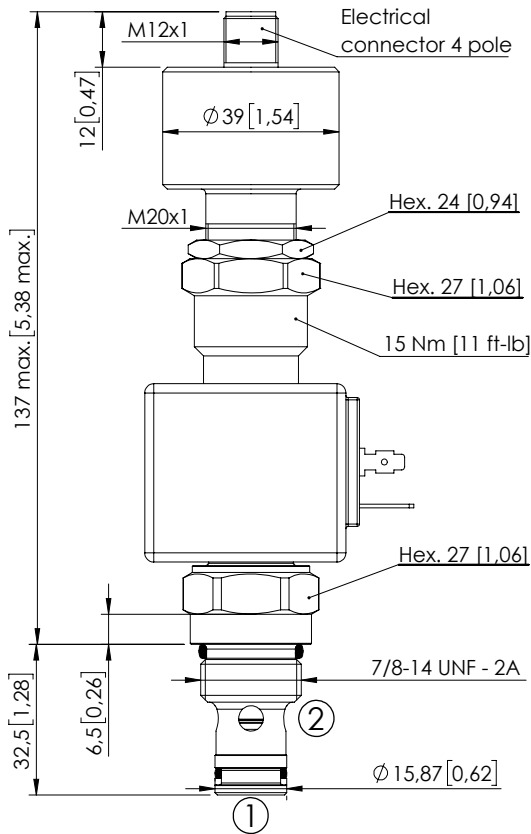
ORDERING CODES

Quick code	Description	Connector	Voltage	Options
CE000472	CEBN-060-XCDR-05-S08-V350-12HR	DIN 43650	12V DC	Proximity sensor
CE000940	CEBN-060-XCDR-05-S08-V350-24HR	DIN 43650	24V DC	Proximity sensor

Revision D

SOLENOID OPERATED CARTRIDGE

CEBN-080-XCDR-05 POPPET TYPE PROXIMITY SENSOR



SPECIFICATIONS

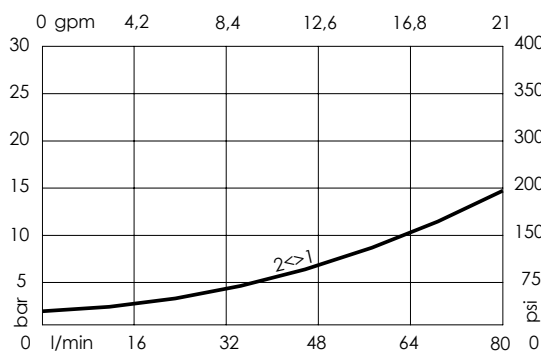
Max. operating pressure:	350 bar (5000 psi)
Rated flow:	80 l/min (21 gpm)
Cavity:	SAE-10-2N
Weight:	0,5 kg (0,33 lbs)
Min. voltage required:	90% of nominal
Coil type:	M7 type
Ambient temperature:	-20/+50 °C (-4/+122 °F)
Contamination class to ISO 4406:	See technical spec.
Seal kit:	RA100082
Installation torque:	55 - 62 Nm (41 - 46 ft-lb)
MTF _a :	150 - 1200 years: See technical spec.
Operating temperature:	-25/+80°C (-13/+176 °F)

Dimensions: mm [inches]

NOTES

For other configurations/quick codes not available in this catalogue page please consult factory

CURVES



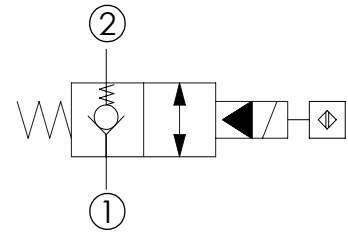
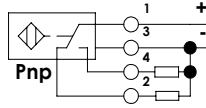
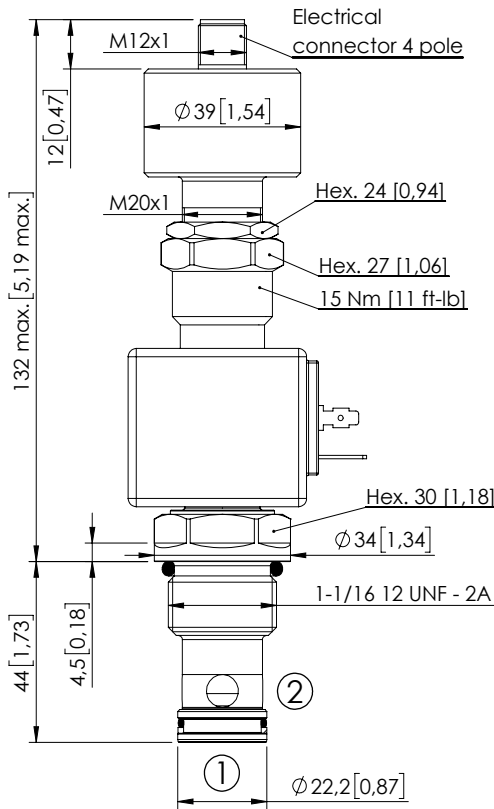
ORDERING CODES

Quick code	Description	Connector	Voltage	Options
CE000473	CEBN-080-XCDR-05-S10-V350-12HR	DIN 43650	12V DC	Proximity sensor
CE000938	CEBN-080-XCDR-05-S10-V350-24HR	DIN 43650	24V DC	Proximity sensor

SOLENOID OPERATED CARTRIDGE

CEBN-190-XCDR-05

POPPET TYPE
PROXIMITY SENSOR



SPECIFICATIONS

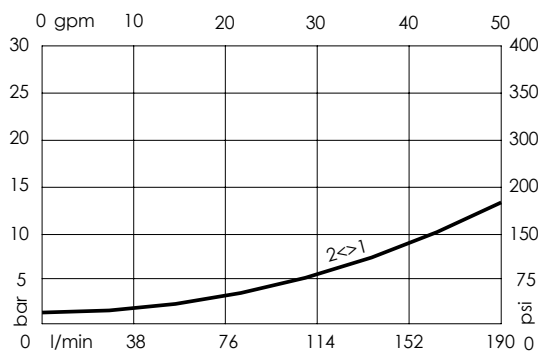
Max. operating pressure:	350 bar (5000 psi)
Rated flow:	190 l/min (50 gpm)
Cavity:	SAE-12-2N
Weight:	0,61 kg (1,32 lbs)
Min. voltage required:	90% of nominal
Coil type:	M7 type
Ambient temperature:	-20/+50 °C (-4/+122 °F)
Contamination class to ISO 4406:	See technical spec.
Seal kit:	RA100083
Installation torque:	135 - 150 Nm (100 - 111 ft-lb)
MTF _a :	150 - 1200 years: See technical spec.
Operating temperature:	-25/+80°C (-13/+176 °F)

Dimensions: mm [inches]

NOTES

For other configurations/quick codes not available in this catalogue page please consult factory

CURVES



ORDERING CODES

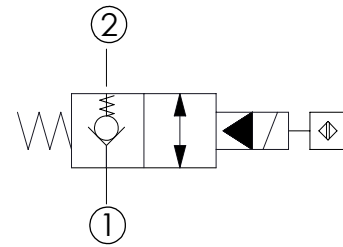
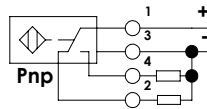
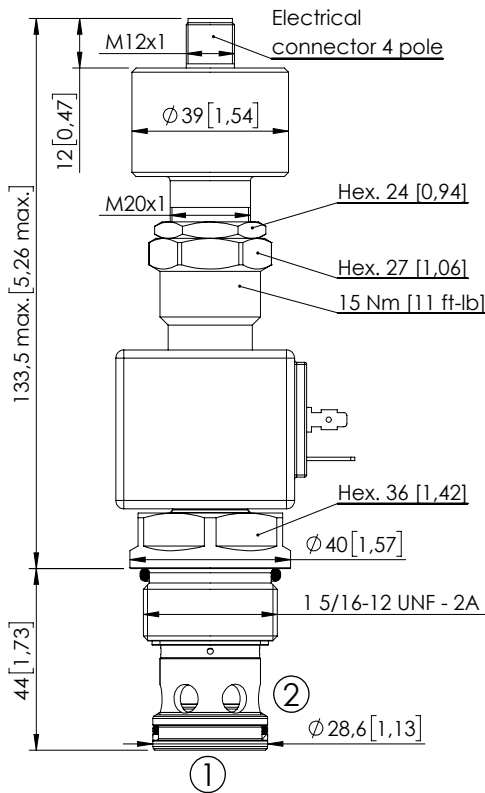
Quick code	Description	Connector	Voltage	Options
CE001090	CEBN-190-XCDR-05-S12-V350-12HR	DIN 43650	12V DC	Proximity sensor
CE001091	CEBN-190-XCDR-05-S12-V350-24HR	DIN 43650	24V DC	Proximity sensor

Revision A1

SOLENOID OPERATED CARTRIDGE

CEBN-310-XCDR-05

POPPET TYPE
PROXIMITY SENSOR



SPECIFICATIONS

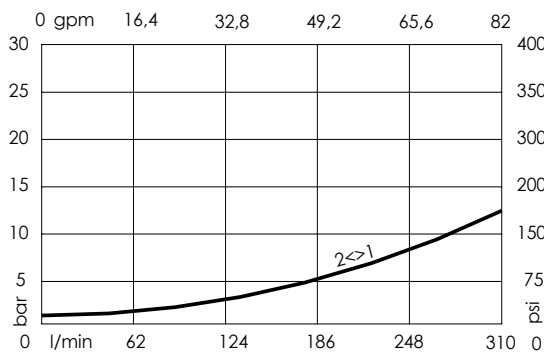
Max. operating pressure:	350 bar (5000 psi)
Rated flow:	310 l/min (82 gpm)
Cavity:	SAE-16-2N
Weight:	0,7 kg (1,54 lbs)
Min. voltage required:	90% of nominal
Coil type:	M7 type
Ambient temperature:	-20/+50 °C (-4/+122 °F)
Contamination class to ISO 4406:	See technical spec.
Seal kit:	RA100084
Installation torque:	200 - 210 Nm (148 - 155 ft-lb)
MTTF:	150 - 1200 years: See technical spec.
Operating temperature:	-25/+80°C (-13/+176 °F)

Dimensions: mm [inches]

NOTES

For other configurations/quick codes not available in this catalogue page please consult factory

CURVES



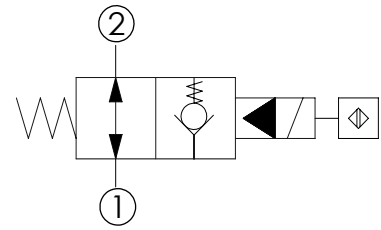
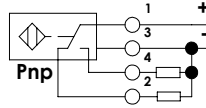
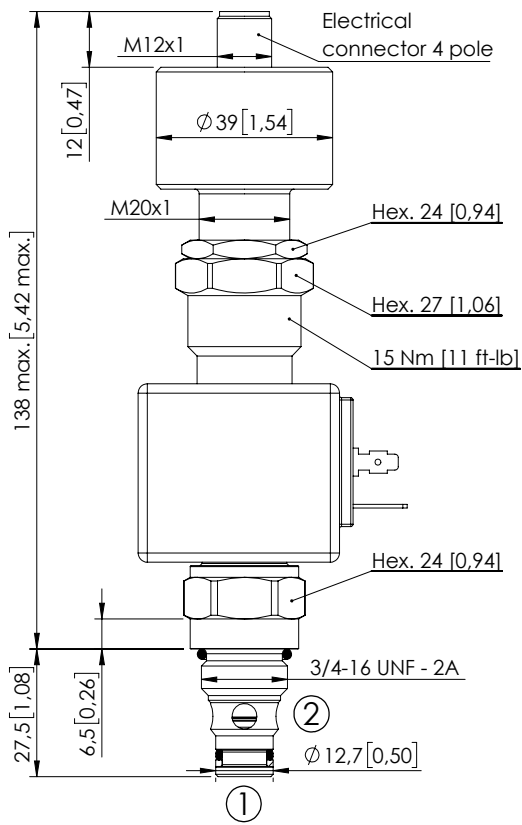
ORDERING CODES

Quick code	Description	Connector	Voltage	Options
CE000475	CEBN-310-XCDR-05-S16-V350-12HR	DIN 43650	12V DC	Proximity sensor
CE000939	CEBN-310-XCDR-05-S16-V350-24HR	DIN 43650	24V DC	Proximity sensor

SOLENOID OPERATED CARTRIDGE

CEBN-060-XADR-06

POPPET TYPE
PROXIMITY SENSOR



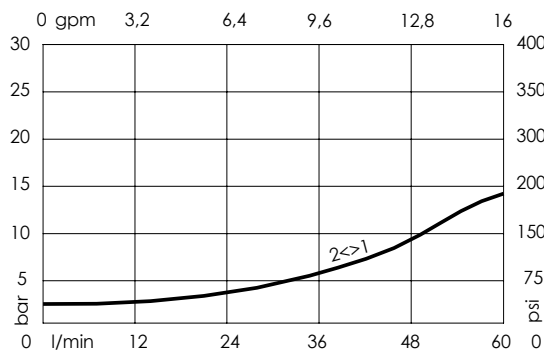
SPECIFICATIONS

Max. operating pressure:	350 bar (5000 psi)
Rated flow:	60 l/min (16 gpm)
Cavity:	SAE-08-2N
Weight:	0,5 kg (0,33 lbs)
Min. voltage required:	90% of nominal
Coil type:	M7 type
Ambient temperature:	-20/+50 °C (-4/+122 °F)
Contamination class to ISO 4406:	See technical spec.
Seal kit:	RA100081
Installation torque:	45 - 50 Nm (33 - 37 ft-lb)
MTF _a :	150 - 1200 years: See technical spec.
Operating temperature:	-25/+80°C (-13/+176 °F)

NOTES

For other configurations/quick codes not available in this catalogue page please consult factory

CURVES



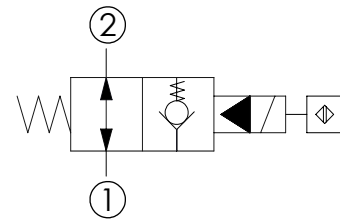
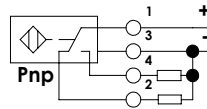
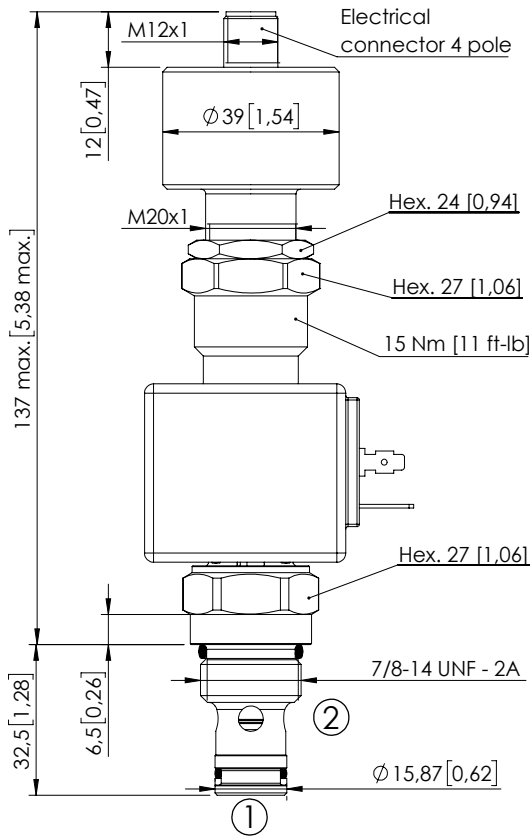
ORDERING CODES

Quick code	Description	Connector	Voltage	Options
CE001053	CEBN-060-XADR-06-S08-V350-12HR	DIN 43650	12V DC	Proximity sensor
CE000476	CEBN-060-XADR-06-S08-V350-24HR	DIN 43650	24V DC	Proximity sensor

SOLENOID OPERATED CARTRIDGE

CEBN-080-XADR-06

POPPET TYPE
PROXIMITY SENSOR



SPECIFICATIONS

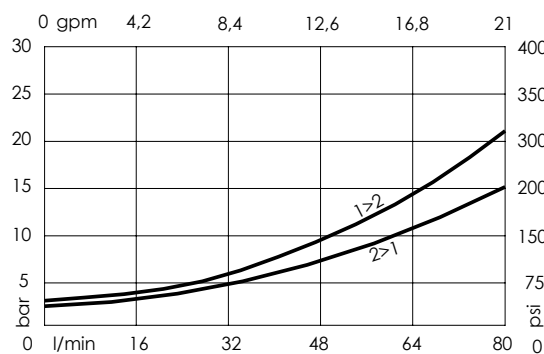
Max. operating pressure:	350 bar (5000 psi)
Rated flow:	80 l/min (21 gpm)
Cavity:	SAE-10-2N
Weight:	0,5 kg (0,33 lbs)
Min. voltage required:	90% of nominal
Coil type:	M7 type
Ambient temperature:	-20/+50 °C (-4/+122 °F)
Contamination class to ISO 4406:	See technical spec.
Seal kit:	RA100082
Installation torque:	55 - 62 Nm (41 - 46 ft-lb)
MTF _a :	150 - 1200 years: See technical spec.
Operating temperature:	-25/+80°C (-13/+176 °F)

Dimensions: mm [inches]

NOTES

For other configurations/quick codes not available in this catalogue page please consult factory

CURVES



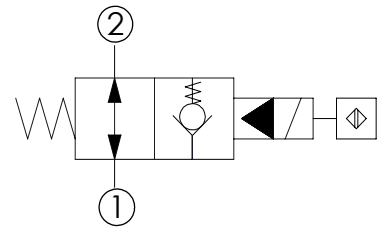
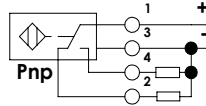
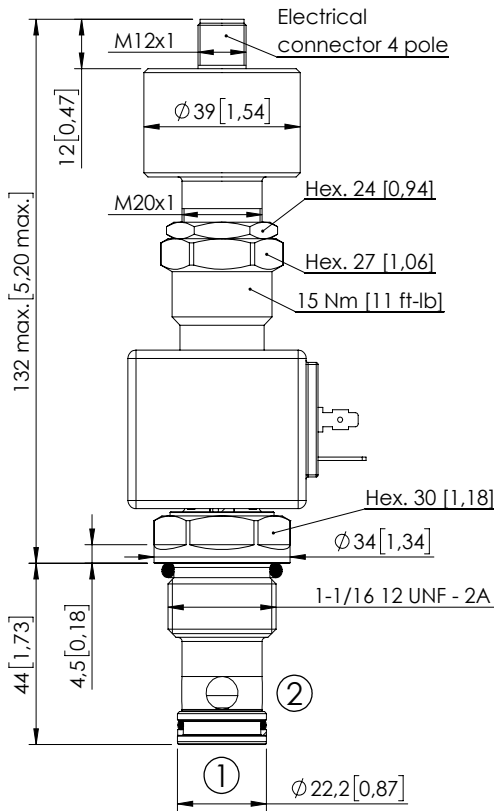
ORDERING CODES

Quick code	Description	Connector	Voltage	Options
CE001043	CEBN-080-XADR-06-S10-V350-12HR	DIN 43650	12V DC	Proximity sensor
CE001065	CEBN-080-XADR-06-S10-V350-24HR	DIN 43650	24V DC	Proximity sensor

SOLENOID OPERATED CARTRIDGE

CEBN-190-XADR-06

POPPET TYPE
PROXIMITY SENSOR



SPECIFICATIONS

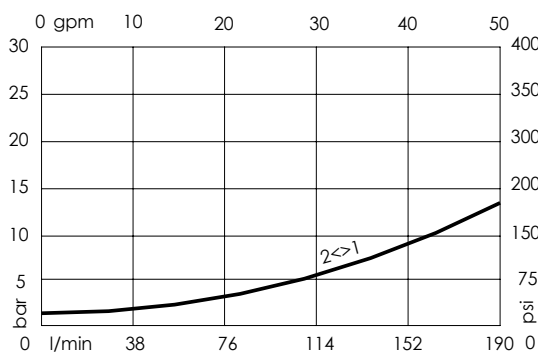
Max. operating pressure:	350 bar (5000 psi)
Rated flow:	190 l/min (50 gpm)
Cavity:	SAE-12-2N
Weight:	0,61 kg (1,32 lbs)
Min. voltage required:	90% of nominal
Coil type:	M7 type
Ambient temperature:	-20/+50 °C (-4/+122 °F)
Contamination class to ISO 4406:	See technical spec.
Seal kit:	RA100083
Installation torque:	135 - 150 Nm (100 - 111 ft-lb)
MTF _d :	150 - 1200 years: See technical spec.
Operating temperature:	-25/+80°C (-13/+176 °F)

Dimensions: mm [inches]

NOTES

For other configurations/quick codes not available in this catalogue page please consult factory

CURVES



ORDERING CODES

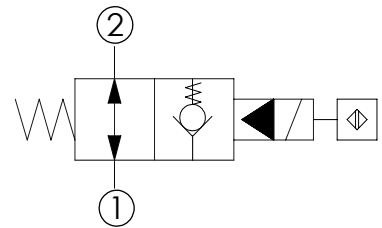
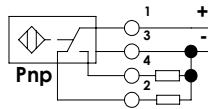
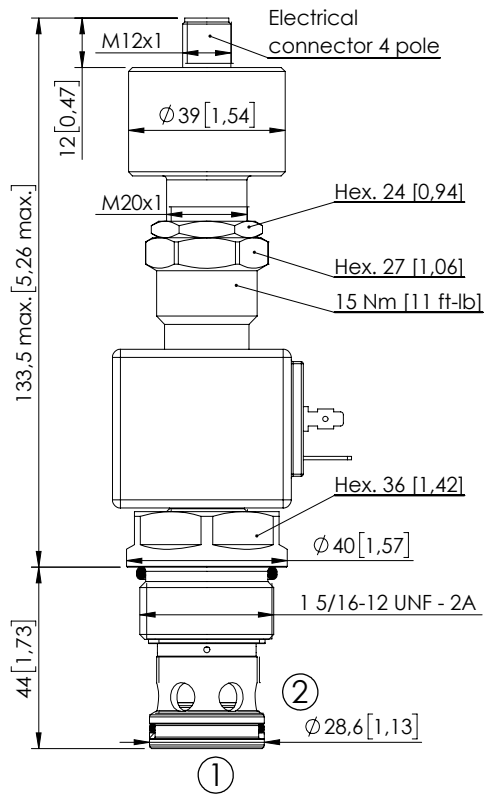
Quick code	Description	Connector	Voltage	Options
CE001096	CEBN-190-XADR-06-S12-V350-12HR	DIN 43650	12V DC	Proximity sensor
CE001097	CEBN-190-XADR-06-S12-V350-24HR	DIN 43650	24V DC	Proximity sensor

Revision A1

SOLENOID OPERATED CARTRIDGE

CEBN-310-XADR-06

POPPET TYPE
PROXIMITY SENSOR



SPECIFICATIONS

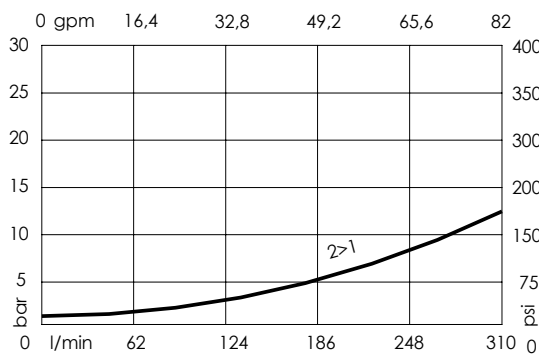
Max. operating pressure:	350 bar (5000 psi)
Rated flow:	310 l/min (82 gpm)
Cavity:	SAE-16-2N
Weight:	0,7 kg (1,54 lbs)
Min. voltage required:	90% of nominal
Coil type:	M7 type
Ambient temperature:	-20/+50 °C (-4/+122 °F)
Contamination class to ISO 4406:	See technical spec.
Seal kit:	RA100084
Installation torque:	200 - 210 Nm (148 - 155 ft-lb)
MTF _d :	150 - 1200 years: See technical spec.
Operating temperature:	-25/+80°C (-13/+176 °F)

Dimensions: mm [inches]

NOTES

For other configurations/quick codes not available in this catalogue page please consult factory

CURVES



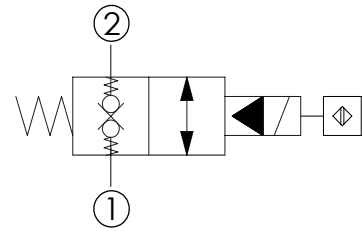
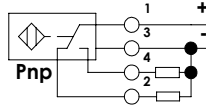
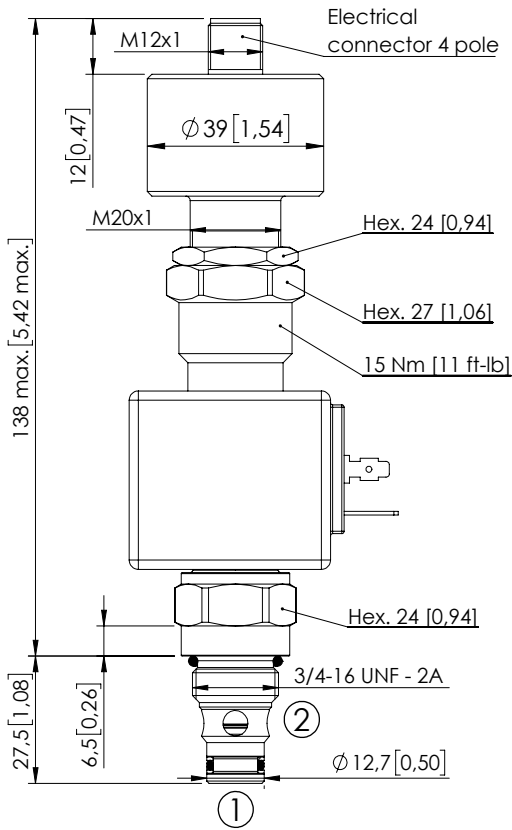
ORDERING CODES

Quick code	Description	Connector	Voltage	Options
CE001044	CEBN-310-XADR-06-S16-V350-12HR	DIN 43650	12V DC	Proximity sensor
CE001066	CEBN-310-XADR-06-S16-V350-24HR	DIN 43650	24V DC	Proximity sensor

SOLENOID OPERATED CARTRIDGE

CEBN-060-XCDR-31

POPPET TYPE
PROXIMITY SENSOR



SPECIFICATIONS

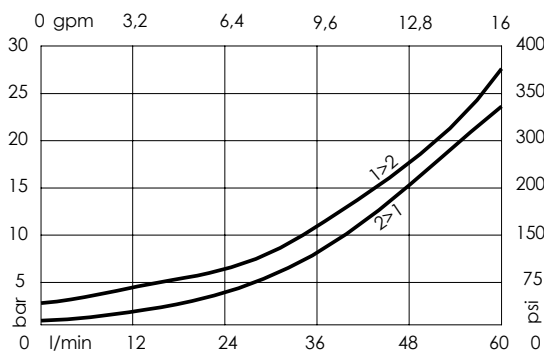
Max. operating pressure:	350 bar (5000 psi)
Rated flow:	60 l/min (16 gpm)
Cavity:	SAE-08-2N
Weight:	0,51 kg (0,33 lbs)
Min. voltage required:	90% of nominal
Coil type:	M7 type
Ambient temperature:	-20/+50 °C (-4/+122 °F)
Contamination class to ISO 4406:	See technical spec.
Seal kit:	RB100081
Installation torque:	45 - 50 Nm (33 - 37 ft.-lb)
MTF _d :	150 - 1200 years: See technical spec.
Operating temperature:	-25/+80°C (-13/+176 °F)

Dimensions: mm [inches]

NOTES

For other configurations/quick codes not available in this catalogue page please consult factory

CURVES



ORDERING CODES

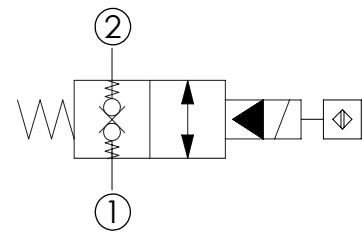
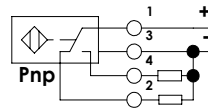
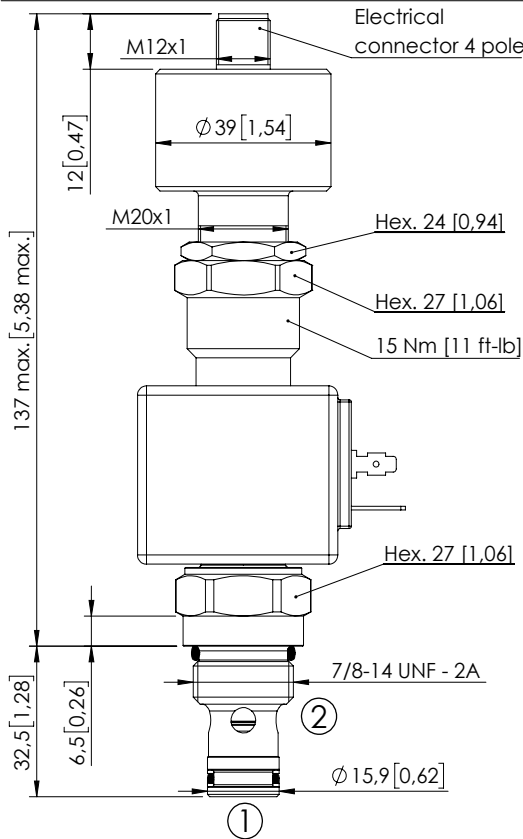
Quick code	Description	Connector	Voltage	Options
CE001035	CEBN-060-XCDR-31-S08-V350-12HR	DIN 43650	12V DC	Proximity sensor
CE001064	CEBN-060-XCDR-31-S08-V350-24HR	DIN 43650	24V DC	Proximity sensor

Revision C

SOLENOID OPERATED CARTRIDGE

CEBN-080-XCDR-31

POPPET TYPE
PROXIMITY SENSOR



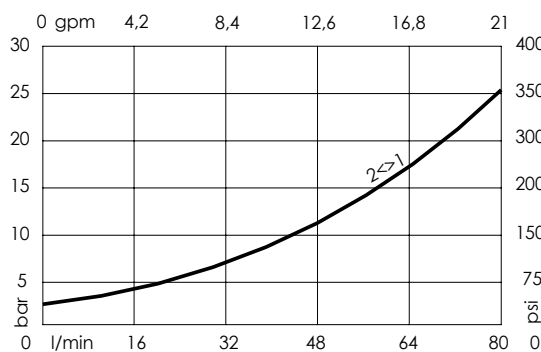
SPECIFICATIONS

Max. operating pressure:	350 bar (5000 psi)
Rated flow:	80 l/min (21 gpm)
Cavity:	SAE-10-2N
Weight:	0,54 kg (0,33 lbs)
Min. voltage required:	90% of nominal
Coil type:	M7 type
Ambient temperature:	-20/+50 °C (-4/+122 °F)
Contamination class to ISO 4406:	See technical spec.
Seal kit:	RB100082
Installation torque:	55 - 62 Nm (41 - 46 ft-lb)
MTF _a :	150 - 1200 years: See technical spec.
Operating temperature:	-25/+80°C (-13/+176 °F)

NOTES

For other configurations/quick codes not available in this catalogue page please consult factory

CURVES



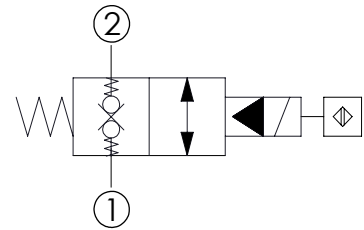
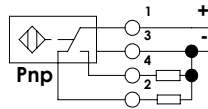
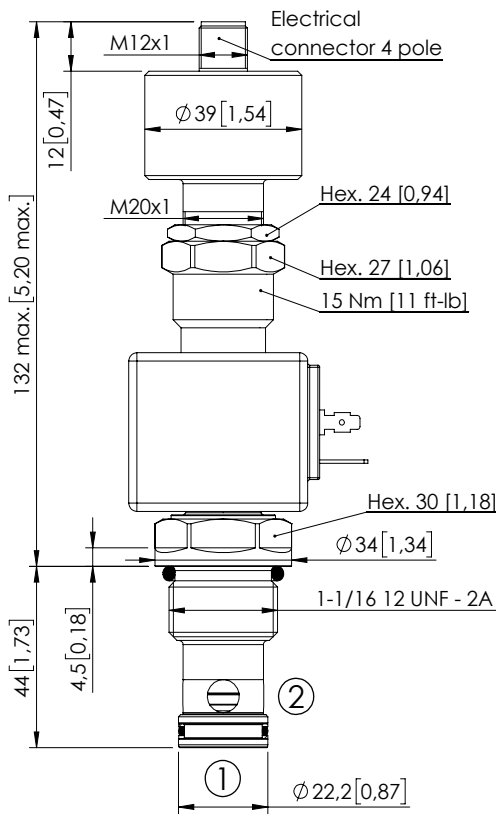
ORDERING CODES

Quick code	Description	Connector	Voltage	Options
CE001045	CEBN-080-XCDR-31-S10-V350-12HR	DIN 43650	12V DC	Proximity sensor
CE001067	CEBN-080-XCDR-31-S10-V350-24HR	DIN 43650	24V DC	Proximity sensor

SOLENOID OPERATED CARTRIDGE

CEBN-190-XCDR-31

POPPET TYPE
PROXIMITY SENSOR



SPECIFICATIONS

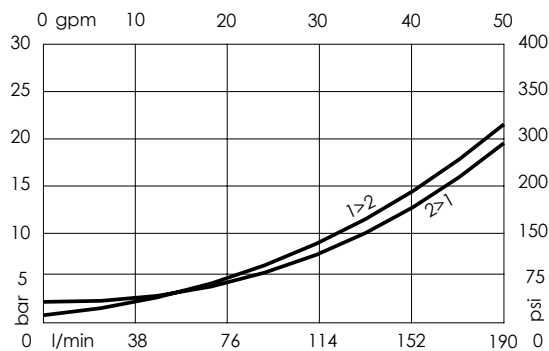
Max. operating pressure:	350 bar (5000 psi)
Rated flow:	190 l/min (50 gpm)
Cavity:	SAE-12-2N
Weight:	0,61 kg (1,32 lbs)
Min. voltage required:	90% of nominal
Coil type:	M7 type
Ambient temperature:	-20/+50 °C (-4/+122 °F)
Contamination class to ISO 4406:	See technical spec.
Seal kit:	RB100083
Installation torque:	135 - 150 Nm (100 - 111 ft-lb)
MTF _a :	150 - 1200 years: See technical spec.
Operating temperature:	-25/+80°C (-13/+176 °F)

Dimensions: mm [inches]

NOTES

For other configurations/quick codes not available in this catalogue page please consult factory

CURVES



ORDERING CODES

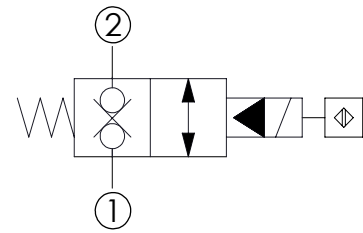
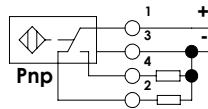
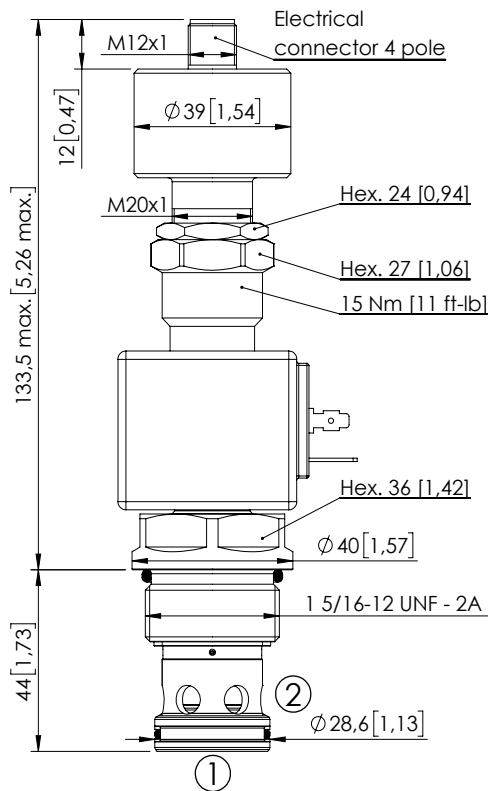
Quick code	Description	Connector	Voltage	Options
CE001102	CEBN-190-XCDR-31-S12-V350-12HR	DIN 43650	12V DC	Proximity sensor
CE001103	CEBN-190-XCDR-31-S12-V350-24HR	DIN 43650	24V DC	Proximity sensor

Revision A1

SOLENOID OPERATED CARTRIDGE

CEBN-310-NCDR-31

POPPET TYPE
PROXIMITY SENSOR



SPECIFICATIONS

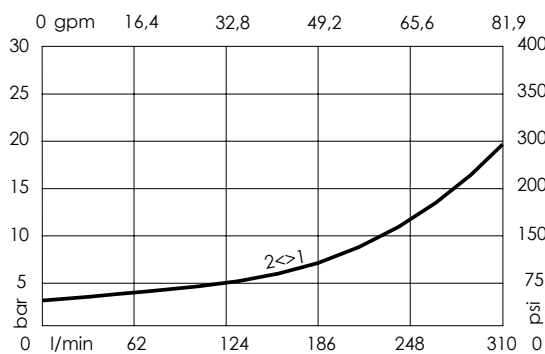
Max. operating pressure:	350 bar (5000 psi)
Rated flow:	310 l/min (82 gpm)
Cavity:	SAE-16-2N
Weight:	0,7 kg (1,54 lbs)
Min. voltage required:	90% of nominal
Coil type:	M7 type
Ambient temperature:	-20/+50 °C (-4/+122 °F)
Contamination class to ISO 4406:	See technical spec.
Seal kit:	RB100084
Installation torque:	200 - 210 Nm (148 - 155 ft-lb)
MTF _d :	150 - 1200 years: See technical spec.
Operating temperature:	-25/+80°C (-13/+176 °F)

Dimensions: mm [inches]

NOTES

For other configurations/quick codes not available in this catalogue page please consult factory

CURVES



ORDERING CODES

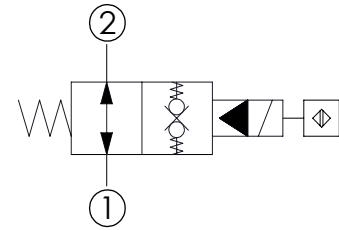
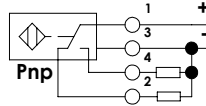
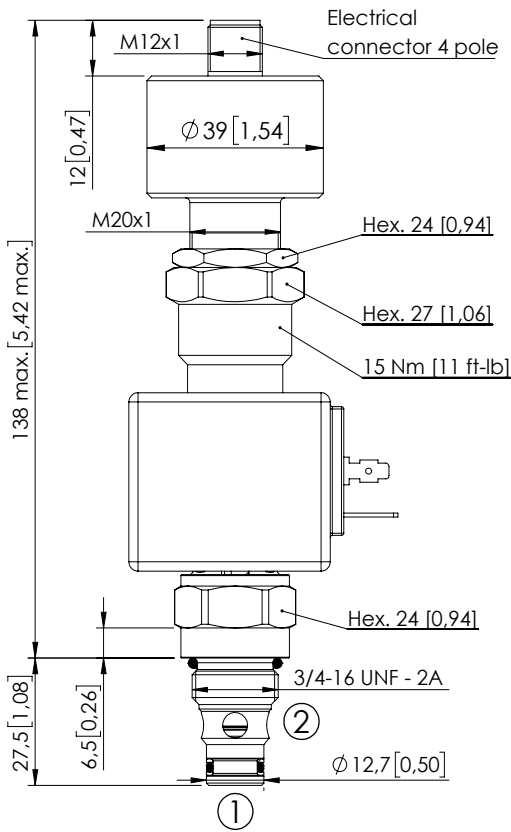
Quick code	Description	Connector	Voltage	Options
CE001046	CEBN-310-NCDR-31-S16-V350-12HR	DIN 43650	12V DC	Proximity sensor
CE001068	CEBN-310-NCDR-31-S16-V350-24HR	DIN 43650	24V DC	Proximity sensor

Revision A1

SOLENOID OPERATED CARTRIDGE

CEBN-060-XADR-32

POPPET TYPE
PROXIMITY SENSOR



SPECIFICATIONS

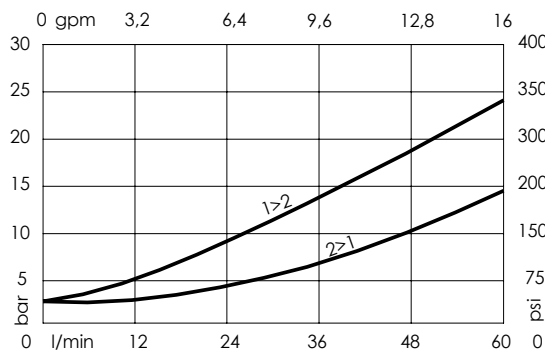
Max. operating pressure:	350 bar (5000 psi)
Rated flow:	60 l/min (16 gpm)
Cavity:	SAE-08-2N
Weight:	0,51 kg (0,33 lbs)
Min. voltage required:	90% of nominal
Coil type:	M7 type
Ambient temperature:	-20/+50 °C (-4/+122 °F)
Contamination class to ISO 4406:	See technical spec.
Seal kit:	RB100081
Installation torque:	45 - 50 Nm (33 - 37 ft-lb)
MTF _a :	150 - 1200 years: See technical spec.
Operating temperature:	-25/+80°C (-13/+176 °F)

Dimensions: mm [inches]

NOTES

For other configurations/quick codes not available in this catalogue page please consult factory

CURVES



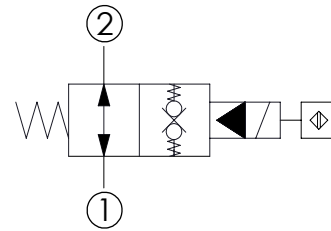
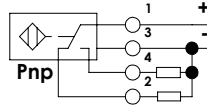
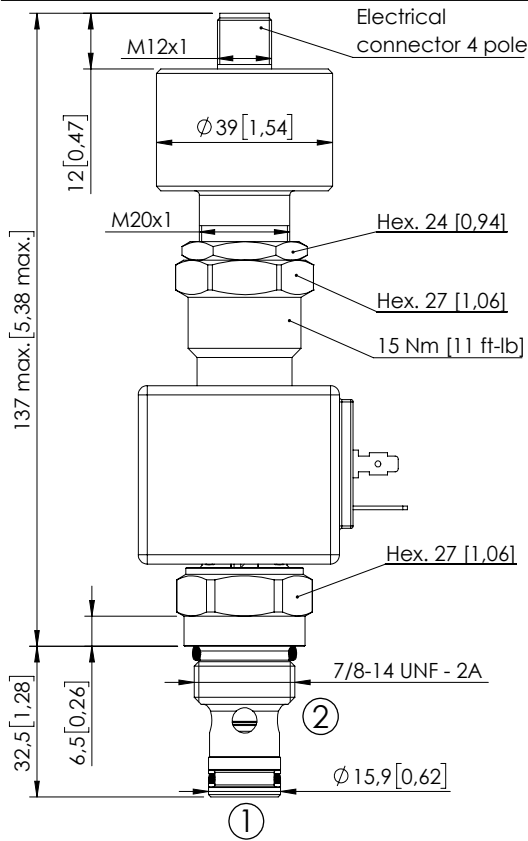
ORDERING CODES

Quick code	Description	Connector	Voltage	Options
CE001047	CEBN-060-XADR-32-S08-V350-12HR	DIN 43650	12V DC	Proximity sensor
CE001069	CEBN-060-XADR-32-S08-V350-24HR	DIN 43650	24V DC	Proximity sensor

SOLENOID OPERATED CARTRIDGE

CEBN-080-XADR-32

POPPET TYPE
PROXIMITY SENSOR



SPECIFICATIONS

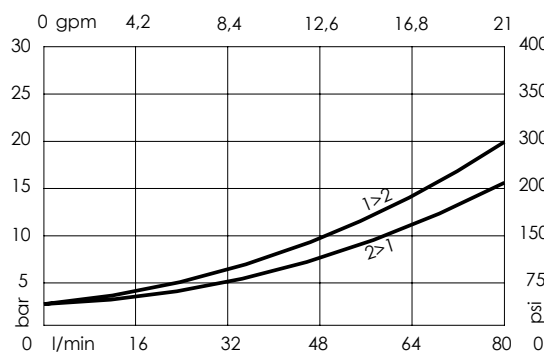
Max. operating pressure:	350 bar (5000 psi)
Rated flow:	80 l/min (21 gpm)
Cavity:	SAE-10-2N
Weight:	0,54 kg (0,33 lbs)
Min. voltage required:	90% of nominal
Coil type:	M7 type
Ambient temperature:	-20/+50 °C (-4/+122 °F)
Contamination class to ISO 4406:	See technical spec.
Seal kit:	RB100082
Installation torque:	55 - 62 Nm (41 - 46 ft-lb)
MTF _d :	150 - 1200 years: See technical spec.
Operating temperature:	-25/+80°C (-13/+176 °F)

Dimensions: mm [inches]

NOTES

For other configurations/quick codes not available in this catalogue page please consult factory

CURVES



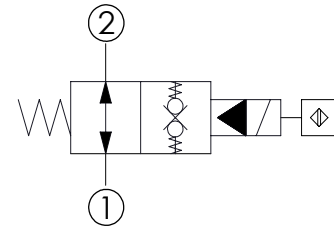
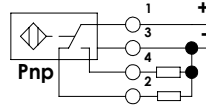
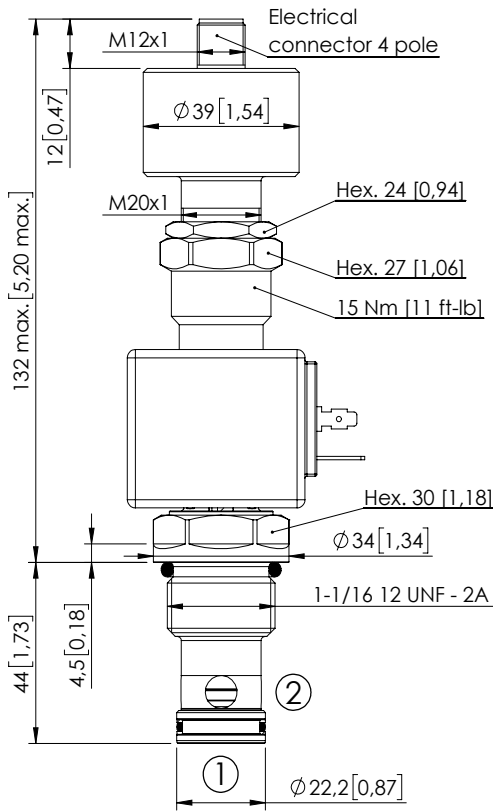
ORDERING CODES

Quick code	Description	Connector	Voltage	Options
CE001048	CEBN-080-XADR-32-S10-V350-12HR	DIN 43650	12V DC	Proximity sensor
CE001070	CEBN-080-XADR-32-S10-V350-24HR	DIN 43650	24V DC	Proximity sensor

SOLENOID OPERATED CARTRIDGE

CEBN-190-XADR-32

POPPET TYPE
PROXIMITY SENSOR



SPECIFICATIONS

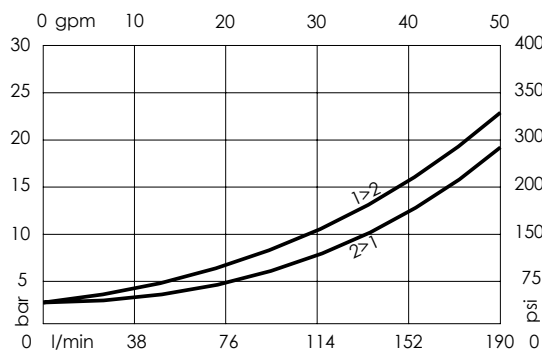
Max. operating pressure:	350 bar (5000 psi)
Rated flow:	190 l/min (50 gpm)
Cavity:	SAE-12-2N
Weight:	0,61 kg (1,32 lbs)
Min. voltage required:	90% of nominal
Coil type:	M7 type
Ambient temperature:	-20/+50 °C (-4/+122 °F)
Contamination class to ISO 4406:	See technical spec.
Seal kit:	RB100083
Installation torque:	135 - 150 Nm (100 - 111 ft-lb)
MTF _d :	150 - 1200 years: See technical spec.
Operating temperature:	-25/+80°C (-13/+176 °F)

Dimensions: mm [inches]

NOTES

For other configurations/quick codes not available in this catalogue page please consult factory

CURVES



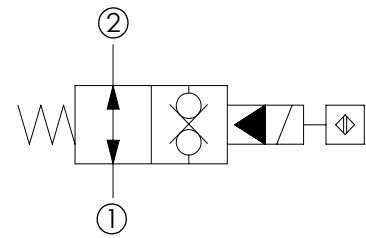
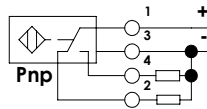
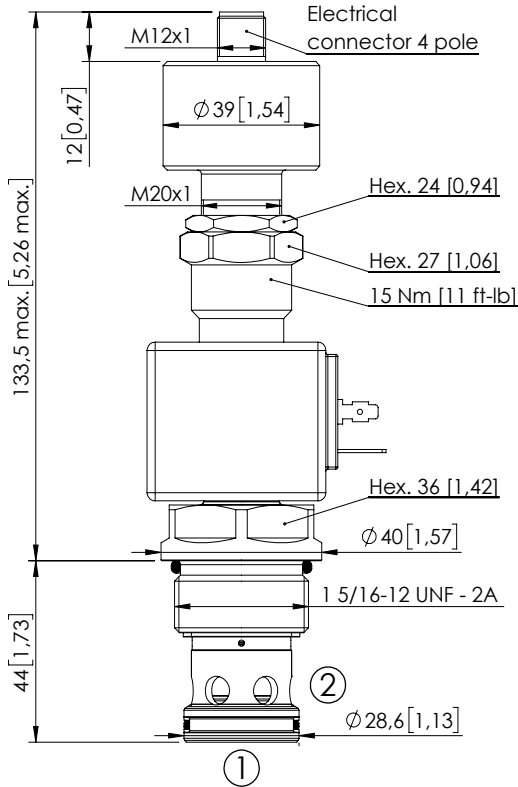
ORDERING CODES

Quick code	Description	Connector	Voltage	Options
CE001108	CEBN-190-XADR-32-S12-V350-12HR	DIN 43650	12V DC	Proximity sensor
CE001109	CEBN-190-XADR-32-S12-V350-24HR	DIN 43650	24V DC	Proximity sensor

Revision A1

SOLENOID OPERATED CARTRIDGE

CEBN-310-NADR-32 POPPET TYPE PROXIMITY SENSOR



SPECIFICATIONS

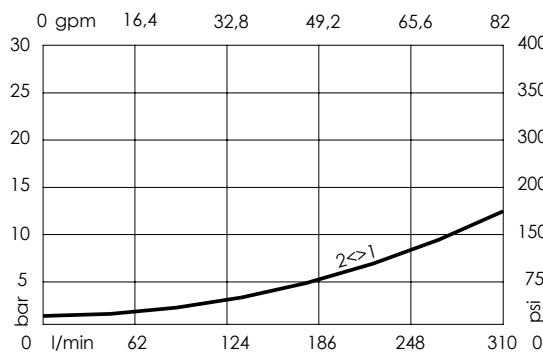
Max. operating pressure:	350 bar (5000 psi)
Rated flow:	310 l/min (82 gpm)
Cavity:	SAE-16-2N
Weight:	0,73 kg (1,54 lbs)
Min. voltage required:	90% of nominal
Coil type:	M7 type
Ambient temperature:	-20/+50 °C (-4/+122 °F)
Contamination class to ISO 4406:	See technical spec.
Seal kit:	RB100084
Installation torque:	200 - 210 Nm (148 - 155 ft-lb)
MTTF:	150 - 1200 years: See technical spec.
Operating temperature:	-25/+80°C (-13/+176 °F)

Dimensions: mm [inches]

NOTES

For other configurations/quick codes not available in this catalogue page please consult factory

CURVES



ORDERING CODES

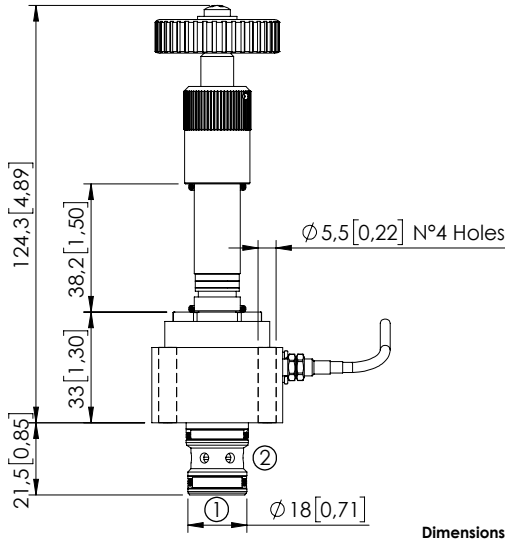
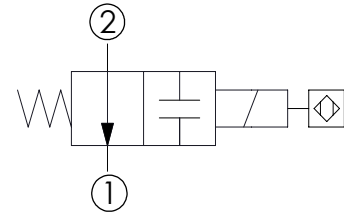
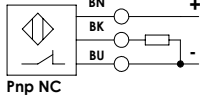
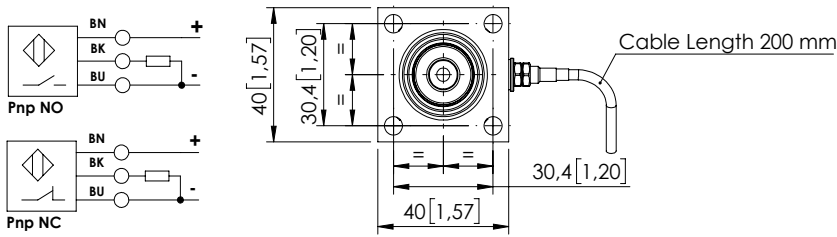
Quick code	Description	Connector	Voltage	Options
CE001049	CEBN-310-NADR-32-S16-V350-12HR	DIN 43650	12V DC	Proximity sensor
CE001071	CEBN-310-NADR-32-S16-V350-24HR	DIN 43650	24V DC	Proximity sensor

SOLENOID OPERATED CARTRIDGE



CEBD-040-NAMV-97

DIRECT OPERATED
POPPET TYPE
POSITION SENSOR



Dimensions: mm [inches]

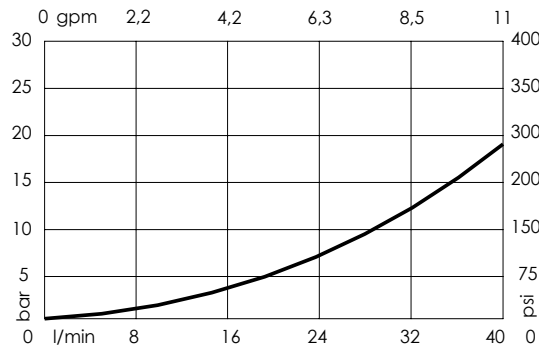
SPECIFICATIONS

Max. operating pressure:	350 bar (5000 psi)
Max. operating pressure on port 1:	100 bar (1400 psi)
Rated flow:	40 l/min (11 gpm)
Cavity:	VP000338
Weight:	0,4 kg (0,88 lbs)
Min. voltage required:	90% of nominal
Coil type:	M7 or M3 type
Ambient temperature:	-20/+50 °C (-4/+122 °F)
Contamination class to ISO 4406:	See technical spec.
Seal kit:	RD700338
Installation torque:	5 Nm (4 ft.-lb)
MTF _a :	150 - 1200 years: See technical spec.

NOTES

To be mounted with M5x30 [M5x1,18] screws
For other configurations/quick codes not available in this catalogue page please consult factory

CURVES



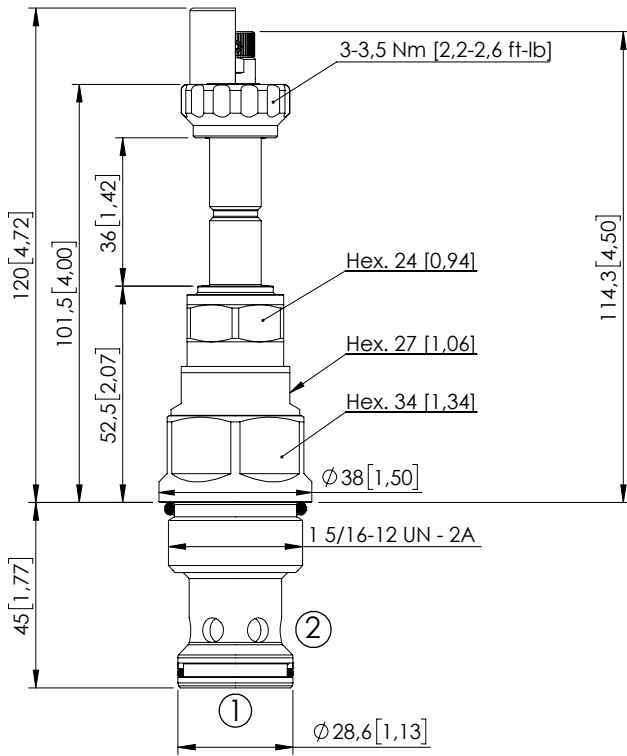
ORDERING CODES

Quick code	Description	Sensor type	Max operating pressure
CE000818	CEBD-040-NAMV-97-338-N350	Valve not energized Sensor open (PNP-NO)	350 bar (5000 psi)
CE000819	CEBD-040-NACV-97-338-N350	Valve not energized Sensor closed (PNP-NC)	350 bar (5000 psi)

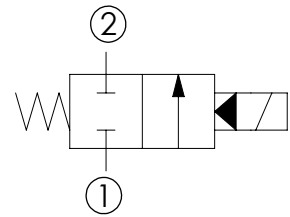
SOLENOID OPERATED CARTRIDGE

CEBT-350-NCFN-98

PILOTED OPERATED
SPOOL TYPE



Dimensions: mm [inches]



SPECIFICATIONS

Max. operating pressure:	350 bar (5000 psi)
Rated flow:	350 l/min (92 gpm)
Cavity:	SAE-16-2N
Weight:	0,5 kg (1,10 lbs)
Min. voltage required:	90% of nominal
Coil type:	M7 or M3 type
Ambient temperature:	-20/+50 °C (-4/+122 °F)
Contamination class to ISO 4406:	See technical spec.
Seal kit:	RA900084
Installation torque:	200 - 210 Nm (148 - 155 ft-lb)
MTF _a :	150 - 1200 years: See technical spec.
Max. int. leakage:	350 cm ³ /min (@46 cSt) 21,3 in ³ /min (@46 cSt)

NOTES

For other configurations/quick codes not available in this catalogue page please consult factory

OPTIONS

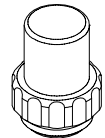
Standard



Knob style override

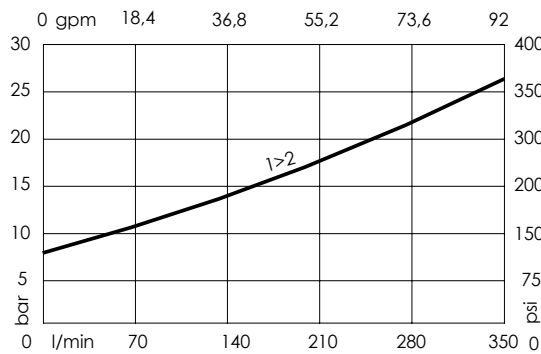


SEALING CAP



Ordering code:
AT000113

CURVES



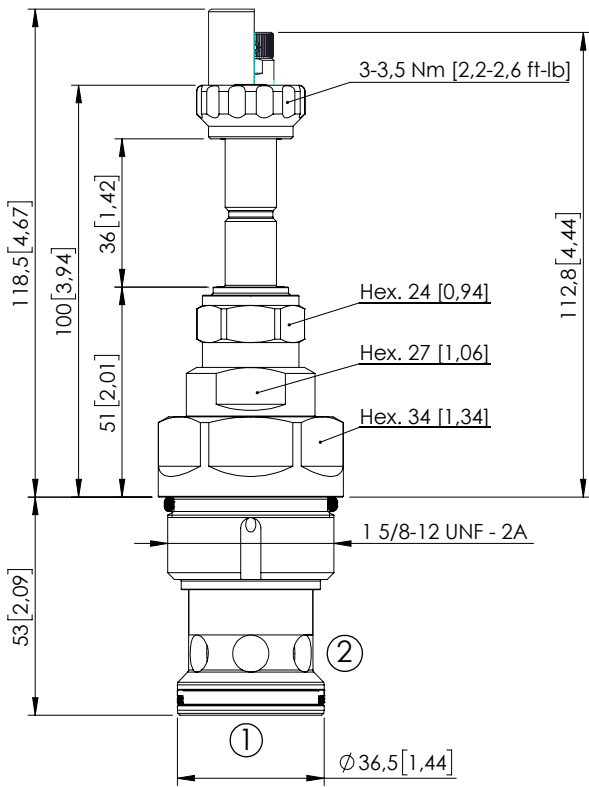
ORDERING CODES

Quick code	Description	Options	Max operating pressure
CE000913	CEBT-350-NCFN-98-S16-N350	Standard	350 bar (5000 psi)
CE000914	CEBT-350-NCFE-98-S16-N350	Knob style override	350 bar (5000 psi)

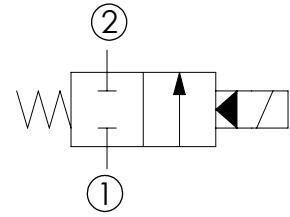
SOLENOID OPERATED CARTRIDGE

CEBT-600-NCFN-98

PILOTED OPERATED
SPOOL TYPE



Dimensions: mm [inches]



SPECIFICATIONS

Max. operating pressure:	350 bar (5000 psi)
Rated flow:	600 l/min (158 gpm)
Cavity:	SAE-20-2N
Weight:	0,7 kg (1,54 lbs)
Min. voltage required:	90% of nominal
Coil type:	M7 or M3 type
Ambient temperature:	-20/+50 °C (-4/+122 °F)
Contamination class to ISO 4406:	See technical spec.
Seal kit:	RA900085
Installation torque:	140 - 150 Nm (103 - 110 ft-lb)
MTTF:	150 - 1200 years: See technical spec.
Max. int. leakage:	400 cm ³ /min (@46 cSt) 24,4 in ³ /min (@46 cSt)

NOTES

For other configurations/quick codes not available in this catalogue page please consult factory

OPTIONS

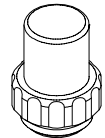
Standard



Knob style override

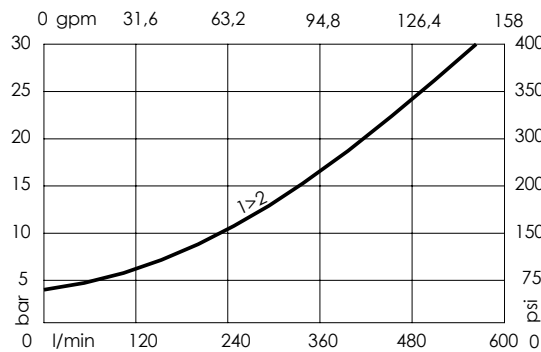


SEALING CAP



Ordering code:
AT000113

CURVES



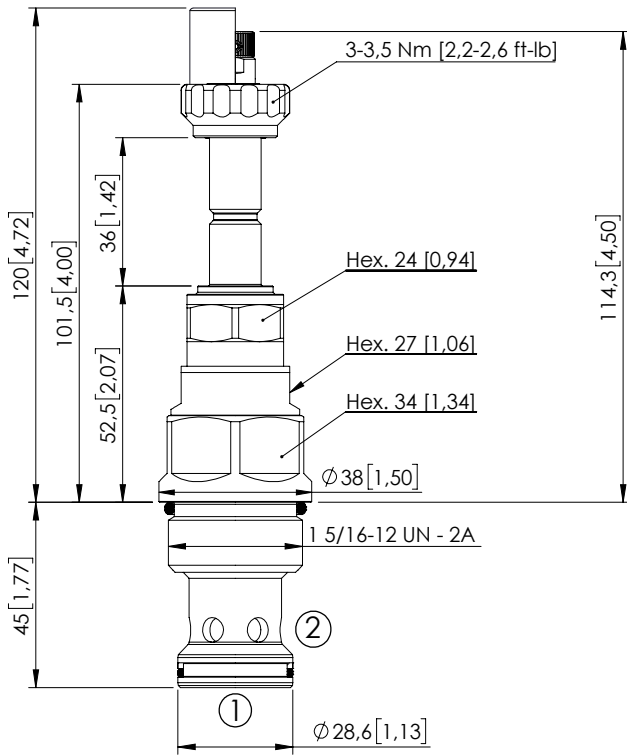
ORDERING CODES

Quick code	Description	Options	Max operating pressure
CE000763	CEBT-600-NCFN-98-S20-N350	Standard	350 bar (5000 psi)
CE000764	CEBT-600-NCFK-98-S20-N350	Knob style override	350 bar (5000 psi)

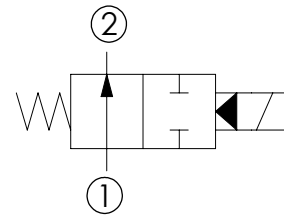
SOLENOID OPERATED CARTRIDGE

CEBT-350-NAFN-99

PILOTED OPERATED
SPOOL TYPE



Dimensions: mm [inches]



SPECIFICATIONS

Max. operating pressure:	350 bar (5000 psi)
Rated flow:	350 l/min (92 gpm)
Cavity:	SAE-16-2N
Weight:	0,5 kg (1,10 lbs)
Min. voltage required:	90% of nominal
Coil type:	M7 or M3 type
Ambient temperature:	-20/+50 °C (-4/+122 °F)
Contamination class to ISO 4406:	See technical spec.
Seal kit:	RA900084
Installation torque:	200 - 210 Nm (148 - 155 ft-lb)
MTTF:	150 - 1200 years: See technical spec.
Max. int. leakage:	350 cm ³ /min (@46 cSt) 21,3 in ³ /min (@46 cSt)

NOTES

For other configurations/quick codes not available in this catalogue page please consult factory

OPTIONS

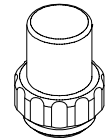
Standard



Knob style override

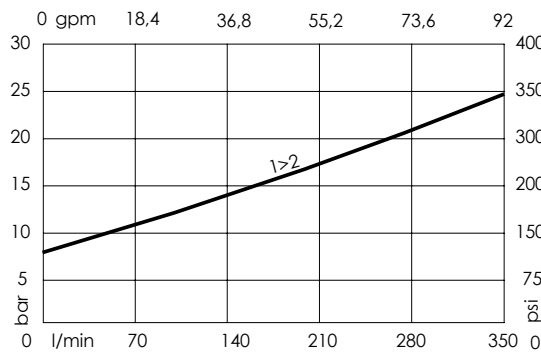


SEALING CAP



Ordering code:
AT000113

CURVES



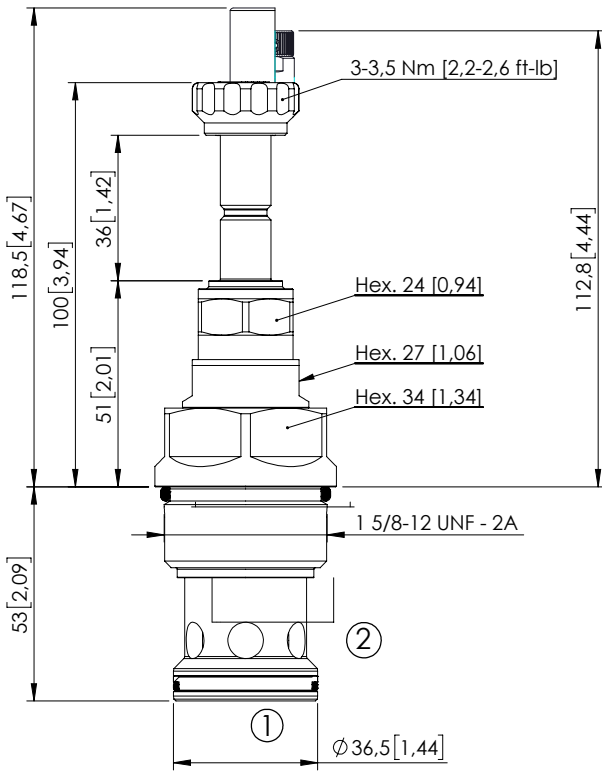
ORDERING CODES

Quick code	Description	Options	Max operating pressure
CE000861	CEBT-350-NAFN-99-S16-N350	Standard	350 bar (5000 psi)
CE000888	CEBT-350-NAFE-99-S16-N350	Knob style override	350 bar (5000 psi)

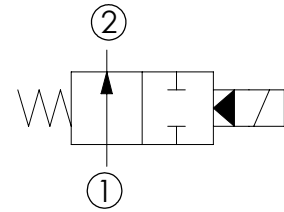
SOLENOID OPERATED CARTRIDGE

CEBT-600-NAFN-99

PILOTED OPERATED
SPOOL TYPE



Dimensions: mm [inches]



SPECIFICATIONS

Max. operating pressure:	350 bar (5000 psi)
Rated flow:	600 l/min (158 gpm)
Cavity:	SAE-20-2N
Weight:	0,7 kg (1,54 lbs)
Min. voltage required:	90% of nominal
Coil type:	M7 or M3 type
Ambient temperature:	-20/+50 °C (-4/+122 °F)
Contamination class to ISO 4406:	See technical spec.
Seal kit:	RA900085
Installation torque:	140 - 150 Nm (103 - 110 ft-lb)
MTF _a :	150 - 1200 years: See technical spec.
Max. int. leakage:	400 cm ³ /min (@46 cSt) 24,4 in ³ /min (@46 cSt)

NOTES

For other configurations/quick codes not available in this catalogue page please consult factory

OPTIONS

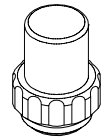
Standard



Knob style
override

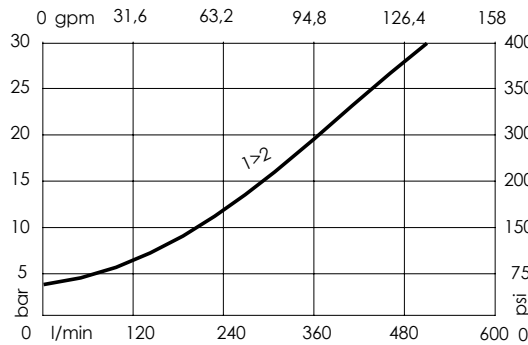


SEALING CAP



Ordering code:
AT000113

CURVES



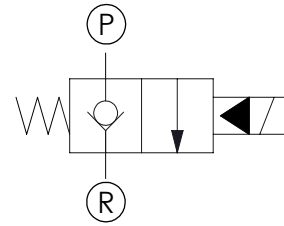
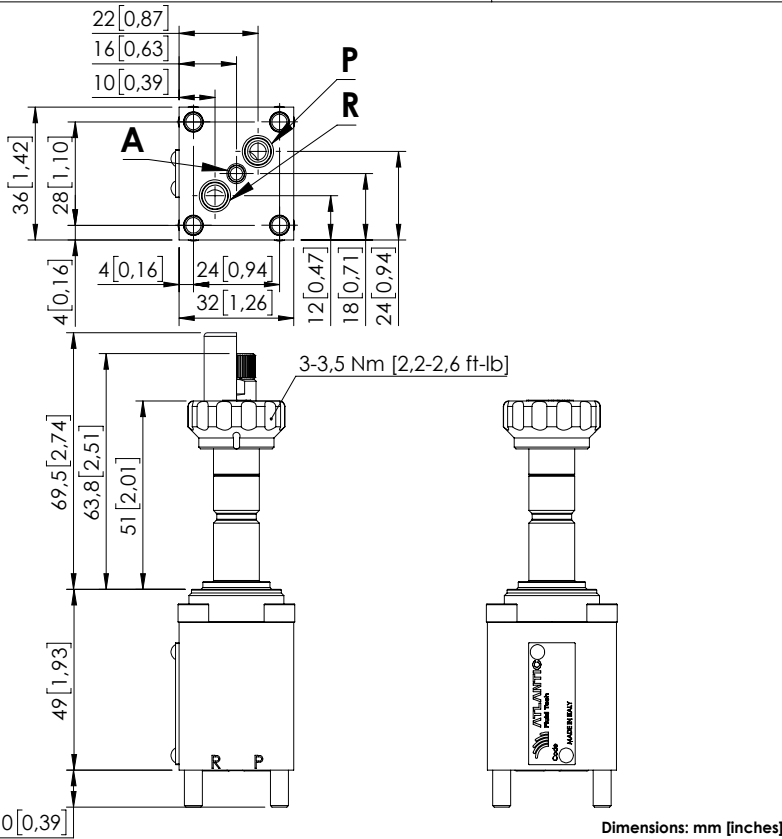
ORDERING CODES

Quick code	Description	Options	Max operating pressure
CE000765	CEBT-600-NAFN-99-S20-N350	Standard	350 bar (5000 psi)
CE000766	CEBT-600-NAFK-99-S20-N350	Knob style override	350 bar (5000 psi)

SOLENOID OPERATED CARTRIDGE

CEBN-015-NCGN-01

HIGH PRESSURE
POPPET TYPE
FLANGED BODY



SPECIFICATIONS

Max. operating pressure:	600 bar (8700 psi)
Rated flow:	15 l/min (4 gpm)
Manifold:	Steel
Weight:	0,44 kg (0,97 lbs)
Min. voltage required:	90% of nominal
Coil type:	M7 or M3 type
Ambient temperature:	-20/+50 °C (-4/+122 °F)
Contamination class to ISO 4406:	See technical spec.
Mounting screw torque:	6,5 Nm (5 ft-lb)
MTF _d :	150 - 1200 years: See technical spec.

NOTES

For other configurations/quick codes not available in this catalogue page please consult factory

OPTIONS

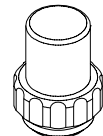
Standard



Knob style override

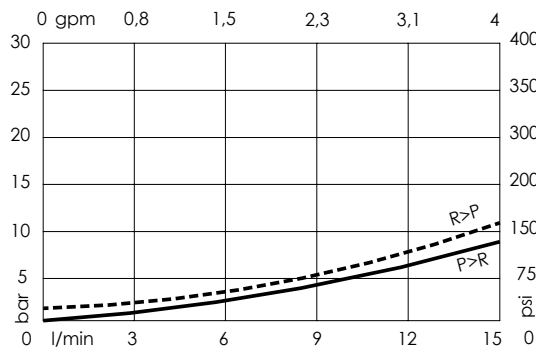


SEALING CAP



Ordering code:
AT000113

CURVES



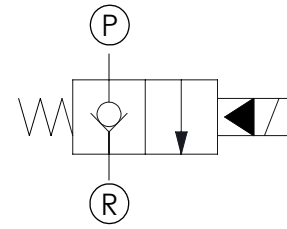
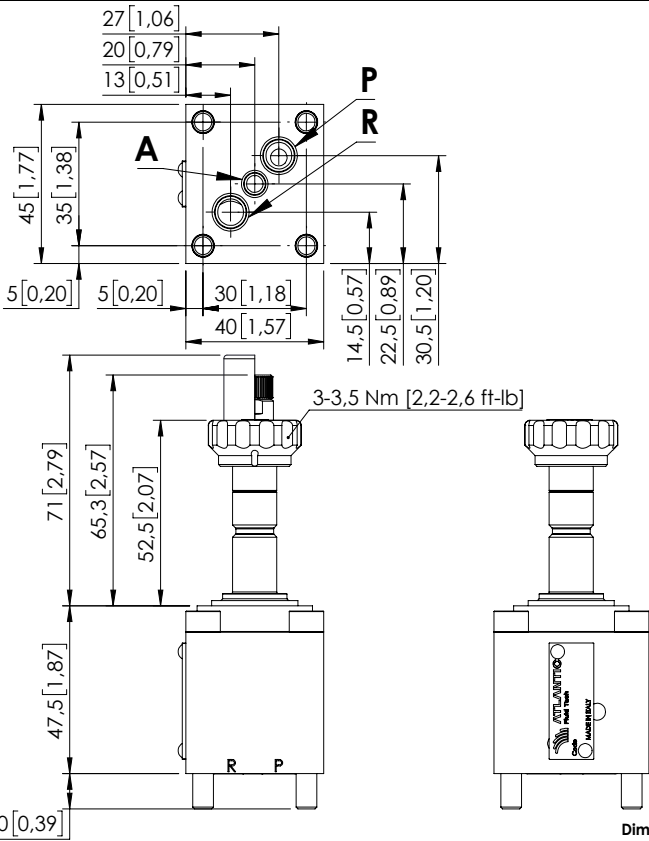
ORDERING CODES

Quick code	Description	Options	Ports size
CE001077	CEBN-015-NCGN-01-F45-N600	Standard	R,P: Ø4,5 [0,18] A: Ø3 [0,12]
CE001080	CEBN-015-NCGK-01-F45-N600	Knob style override	R,P: Ø4,5 [0,18] A: Ø3 [0,12]

SOLENOID OPERATED CARTRIDGE

CEBN-025-NCGN-01

HIGH PRESSURE
POPPET TYPE
FLANGED BODY



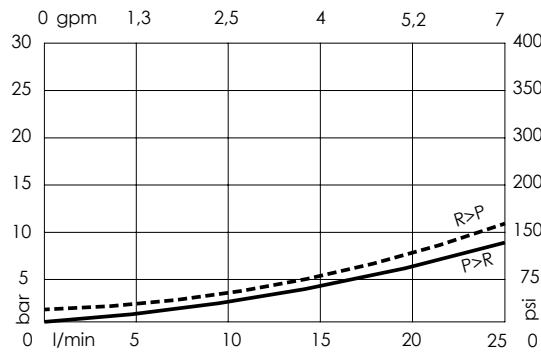
SPECIFICATIONS

Max. operating pressure:	600 bar (8700 psi)
Rated flow:	25 l/min (7 gpm)
Manifold:	Steel
Weight:	0,66 kg (1,45 lbs)
Min. voltage required:	90% of nominal
Coil type:	M7 or M3 type
Ambient temperature:	-20/+50 °C (-4/+122 °F)
Contamination class to ISO 4406:	See technical spec.
Mounting screw torque:	9,5 Nm (7 ft-lb)
MTF _d :	150 - 1200 years: See technical spec.

NOTES

For other configurations/quick codes not available in this catalogue page please consult factory

CURVES



OPTIONS

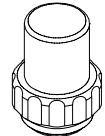
Standard



Knob style override



SEALING CAP



Ordering code:
AT000113

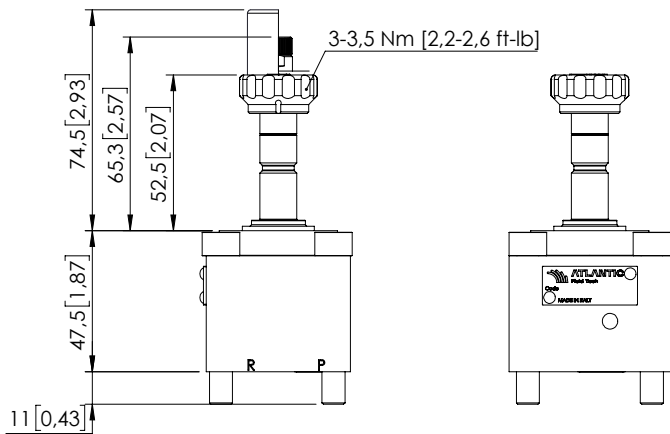
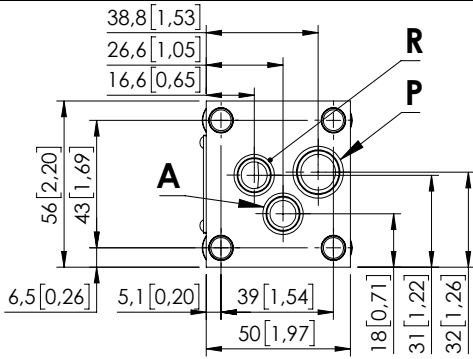
ORDERING CODES

Quick code	Description	Options	Ports size
CE001078	CEBN-025-NCGN-01-F45-N600	Standard	R,P: Ø7,5 [0,30] A: Ø4,5 [0,18]
CE001081	CEBN-025-NCGK-01-F45-N600	Knob style override	R,P: Ø7,5 [0,30] A: Ø4,5 [0,18]

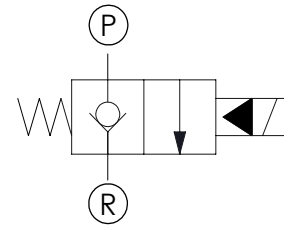
SOLENOID OPERATED CARTRIDGE

CEBN-060-NCGN-01

HIGH PRESSURE
POPPET TYPE
FLANGED BODY



Dimensions: mm [inches]



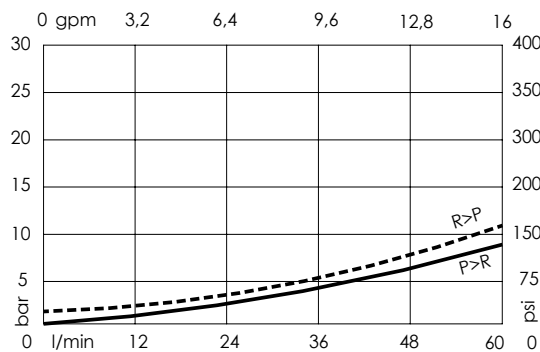
SPECIFICATIONS

Max. operating pressure:	600 bar (8700 psi)
Rated flow:	60 l/min (16 gpm)
Manifold:	Steel
Weight:	0,99 kg (2,20 lbs)
Min. voltage required:	90% of nominal
Coil type:	M7 or M3 type
Ambient temperature:	-20/+50 °C (-4/+122 °F)
Contamination class to ISO 4406:	See technical spec.
Mounting screw torque:	23 Nm (17 ft-lb)
MTF _d :	150 - 1200 years: See technical spec.

NOTES

For other configurations/quick codes not available in this catalogue page please consult factory

CURVES



OPTIONS

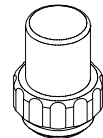
Standard



Knob style override



SEALING CAP



Ordering code:
AT000113

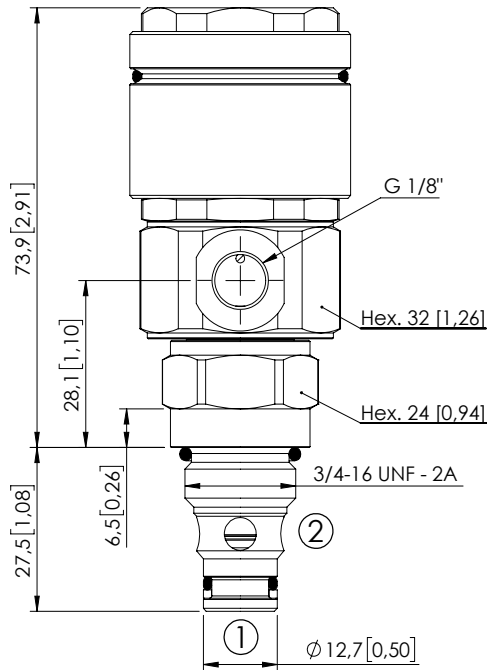
ORDERING CODES

Quick code	Description	Options	Ports size
CE001079	CEBN-060-NCGN-01-F45-N600	Standard	R,P: Ø9 [0,35] A: Ø9 [0,35]
CE001082	CEBN-060-NCGK-01-F45-N600	Knob style override	R,P: Ø9 [0,35] A: Ø9 [0,35]

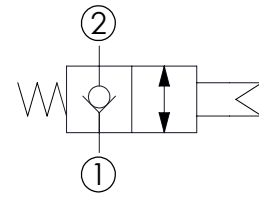
SOLENOID OPERATED CARTRIDGE

CEBN-060-NCAN-123

PNEUMATIC OPERATED
POPPET TYPE



Dimensions: mm [inches]



SPECIFICATIONS

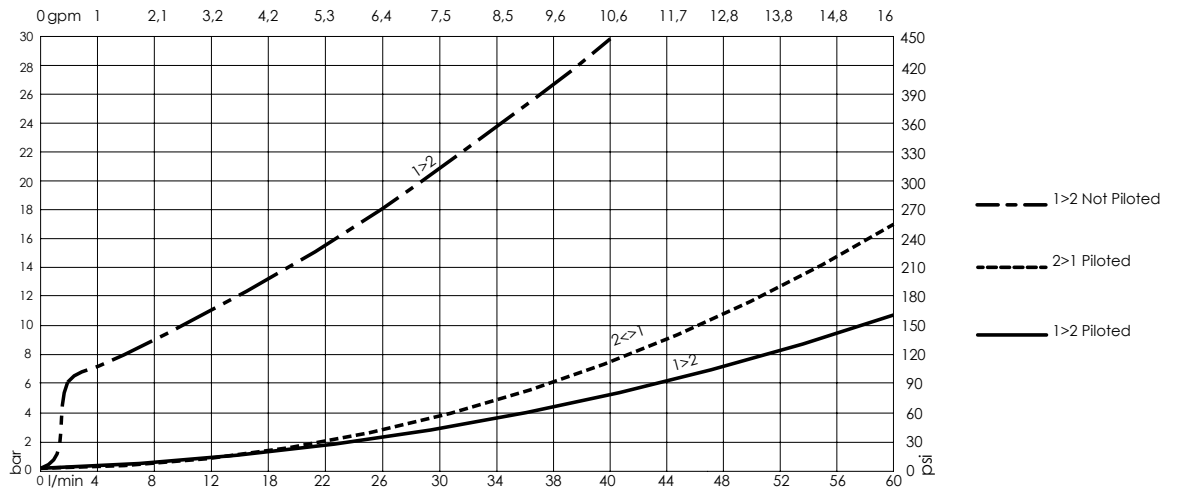
Max. operating pressure:	350 bar (5000 psi)
Rated flow:	60 l/min (16 gpm)
Cavity:	SAE-08-2N
Weight:	0,31 kg (0,68 lbs)
Contamination class to ISO 4406:	See technical spec.
Seal kit:	RA900081
Installation torque:	45 - 50 Nm (33 - 37 ft.-lb)
MTTF _a :	150 - 1200 years: See technical spec.

NOTES

Airbleed.

For other configurations/quick codes not available in this catalogue page please consult factory

CURVES



ORDERING CODES

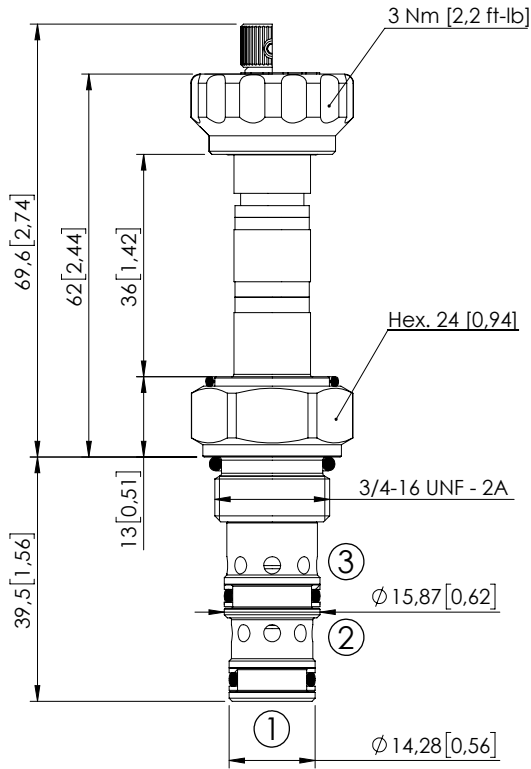
Quick code	Description	Pneumatic pilot pressure	
CE000961	CEBN-060-NCAN-123-S08-N350	Min. 4 bar (Min.58 psi)	Max. 10 bar (Min.145 psi)

Revision A1

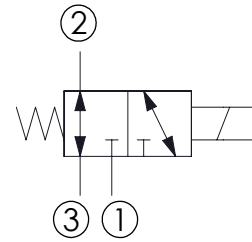
SOLENOID OPERATED CARTRIDGE

CECS-015-SEFN-61

DIRECT OPERATED
SPOOL TYPE



Dimensions: mm [inches]



SPECIFICATIONS

Max. operating pressure:	350 bar (5000 psi)
Max. operating pressure on port 1:	280 bar (4000 psi)
Rated flow:	15 l/min (4 gpm)
Cavity:	SAE-08-3N
Weight:	0,14 kg (0,26 lbs)
Min. voltage required:	90% of nominal
Coil type:	M7 or M3 type
Ambient temperature:	-20/+50 °C (-4/+122 °F)
Contamination class to ISO 4406:	See technical spec.
Seal kit:	RB700091
Installation torque:	45 - 50 Nm (33 - 37 ft-lb)
MTTFd:	150 - 1200 years: See technical spec.
Leakage:	120 cm ³ /min (@46 cSt) 7,3 in ³ /min (@46 cSt)

NOTES

For other configurations/quick codes not available in this catalogue page please consult factory

OPTIONS

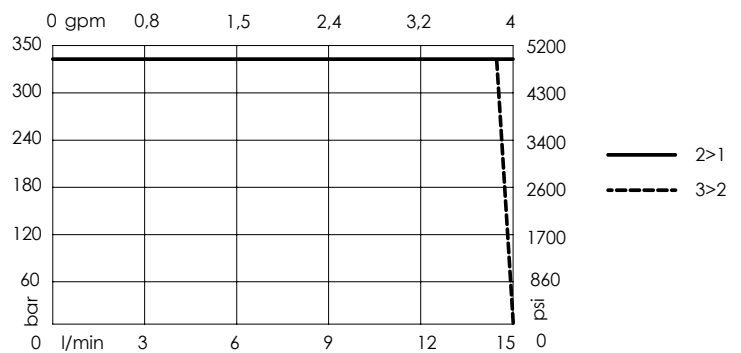
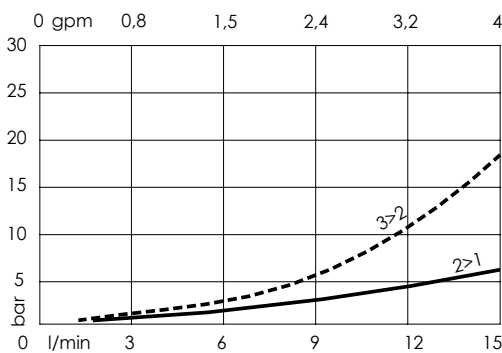
Standard



Knob style override



CURVES



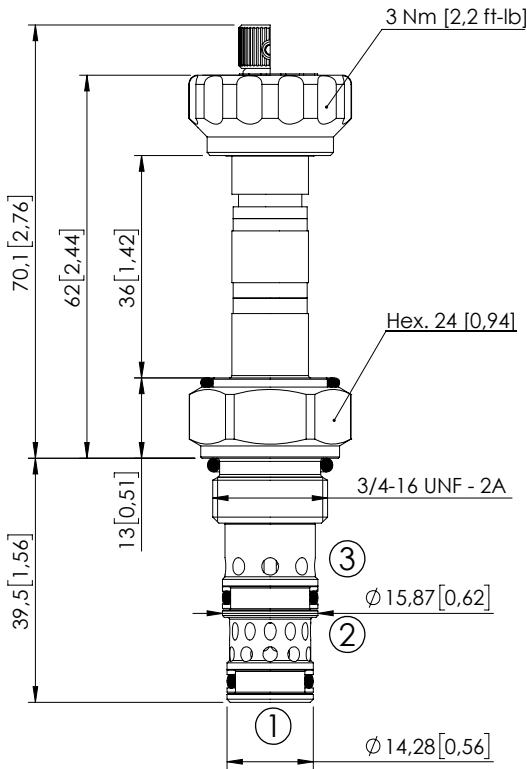
ORDERING CODES

Quick code	Description	Options
CE000009	CECS-015-SEFN-61-S08-N350	Standard
CE000066	CECS-015-SEFE-61-S08-N350	Knob style override

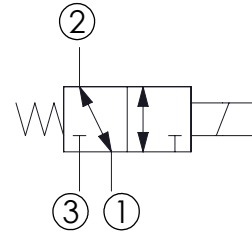
SOLENOID OPERATED CARTRIDGE

CECS-015-SEFN-62

DIRECT OPERATED
SPOOL TYPE



Dimensions: mm [inches]



SPECIFICATIONS

Max. operating pressure:	350 bar (5000 psi)
Max. operating pressure on port 1:	280 bar (4000 psi)
Rated flow:	15 l/min (4 gpm)
Cavity:	SAE-08-3N
Weight:	0,14 kg (0,26 lbs)
Min. voltage required:	90% of nominal
Coil type:	M7 or M3 type
Ambient temperature:	-20/+50 °C (-4/+122 °F)
Contamination class to ISO 4406:	See technical spec.
Seal kit:	RB700091
Installation torque:	45 - 50 Nm (33 - 37 ft-lb)
MTF _d :	150 - 1200 years: See technical spec.
Leakage:	120 cm ³ /min (@46 cSt) 7,3 in ³ /min (@46 cSt)

NOTES

For other configurations/quick codes not available in this catalogue page please consult factory

OPTIONS

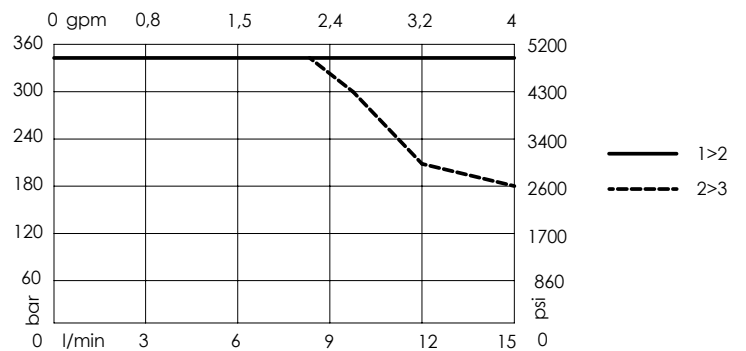
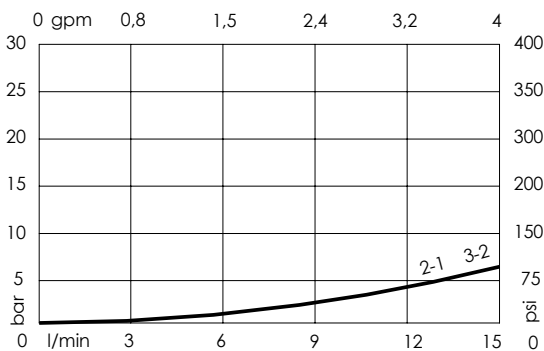
Standard



Knob style
override



CURVES



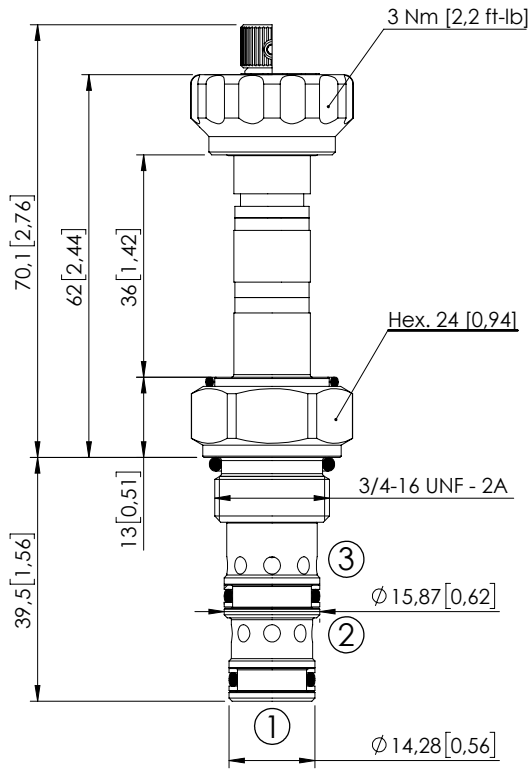
ORDERING CODES

Quick code	Description	Options
CE000010	CECS-015-SEFN-62-S08-N350	Standard
CE000067	CECS-015-SEFE-62-S08-N350	Knob style override

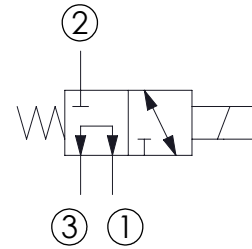
SOLENOID OPERATED CARTRIDGE

CECS-015-SEFN-63

DIRECT OPERATED
SPOOL TYPE



Dimensions: mm [inches]



SPECIFICATIONS

Max. operating pressure:	350 bar (5000 psi)
Max. operating pressure on port 1:	280 bar (4000 psi)
Rated flow:	15 l/min (4 gpm)
Cavity:	SAE-08-3N
Weight:	0,14 kg (0,26 lbs)
Min. voltage required:	90% of nominal
Coil type:	M7 or M3 type
Ambient temperature:	-20/+50 °C (-4/+122 °F)
Contamination class to ISO 4406:	See technical spec.
Seal kit:	RB700091
Installation torque:	45 - 50 Nm (33 - 37 ft-lb)
MTF _d :	150 - 1200 years: See technical spec.
Leakage:	120 cm ³ /min (@46 cSt) 7,3 in ³ /min (@46 cSt)

NOTES

For other configurations/quick codes not available in this catalogue page please consult factory

OPTIONS

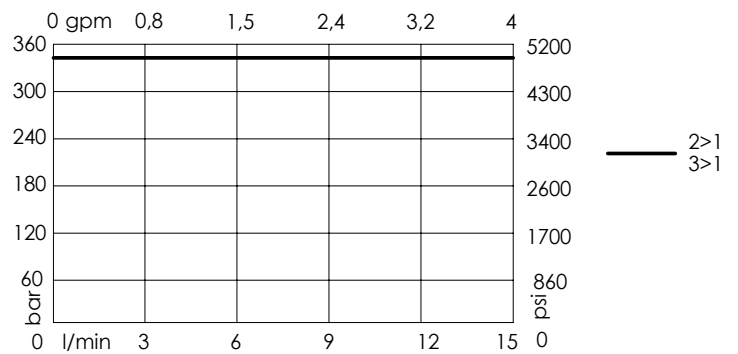
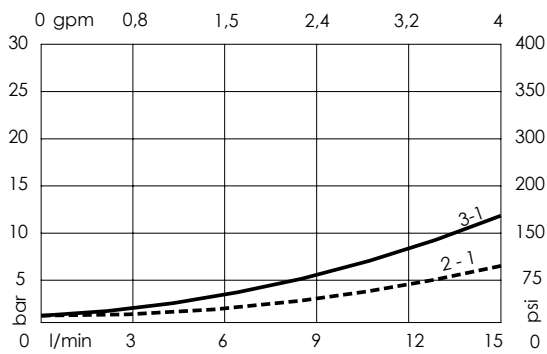
Standard



Knob style
override



CURVES



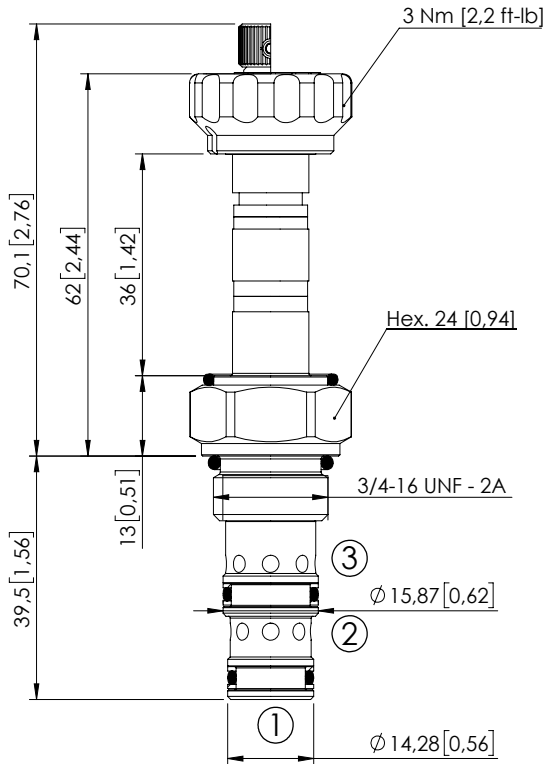
ORDERING CODES

Quick code	Description	Options
CE000011	CECS-015-SEFN-63-S08-N350	Standard
CE000068	CECS-015-SEFE-63-S08-N350	Knob style override

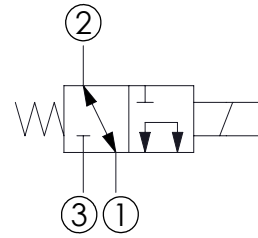
SOLENOID OPERATED CARTRIDGE

CECS-015-SEFN-64

DIRECT OPERATED
SPOOL TYPE



Dimensions: mm [inches]



SPECIFICATIONS

Max. operating pressure:	350 bar (5000 psi)
Max. operating pressure on port 1:	280 bar (4000 psi)
Rated flow:	15 l/min (4 gpm)
Cavity:	SAE-08-3N
Weight:	0,14 kg (0.26 lbs)
Min. voltage required:	90% of nominal
Coil type:	M7 or M3 type
Ambient temperature:	-20/+50 °C (-4/+122 °F)
Contamination class to ISO 4406:	See technical spec.
Seal kit:	RB700091
Installation torque:	45 - 50 Nm (33 - 37 ft-lb)
MTFa:	150 - 1200 years: See technical spec.
Leakage:	120 cm ³ /min (@46 cSt) 7,3 in ³ /min (@46 cSt)

NOTES

For other configurations/quick codes not available in this catalogue page please consult factory

OPTIONS

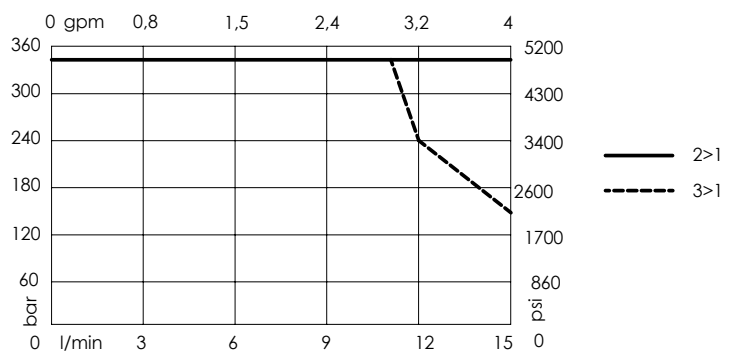
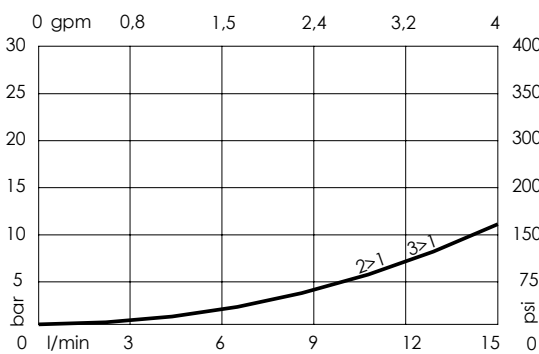
Standard



Knob style override



CURVES



ORDERING CODES

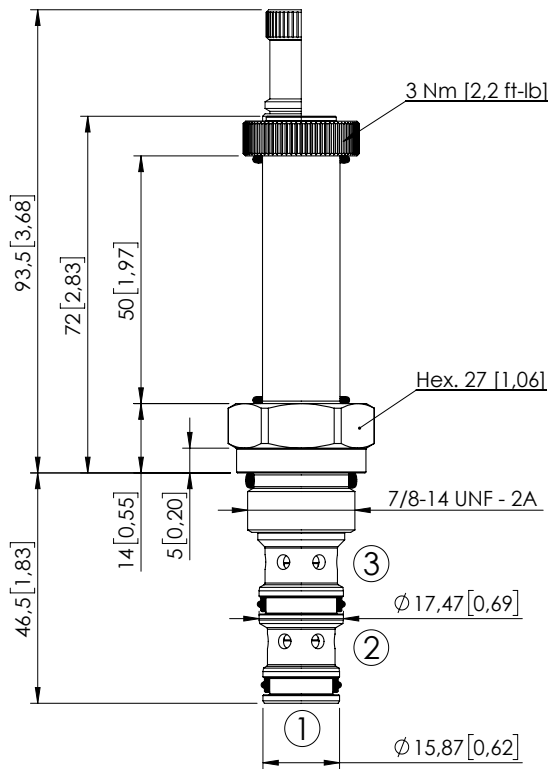
Quick code	Description	Options
CE000008	CECS-015-SEFN-64-S08-N350	Standard
CE000070	CECS-015-SEFE-64-S08-N350	Knob style override

Revision C

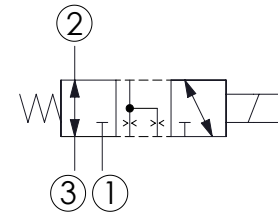
SOLENOID OPERATED CARTRIDGE

CECS-030-SEFN-61

DIRECT ACTING
SPOOL TYPE



Dimensions: mm [inches]



SPECIFICATIONS

Max. operating pressure:	350 bar (5000 psi)
Rated flow:	30 l/min (8 gpm)
Cavity:	SAE-10-3N
Weight:	0.20 kg (0.44 lbs)
Min. voltage required:	90% of nominal
Coil type:	M16 type
Ambient temperature:	-20/+50 °C (-4/+122 °F)
Contamination class to ISO 4406:	See technical spec.
Seal kit:	RB600092
Installation torque:	55 - 62 Nm (41 - 46 ft-lb)
MTF _d :	150 - 1200 years: See technical spec.
Leakage:	70 cm ³ /min (@46 cSt) 4.2 in ³ /min (@46 cSt)

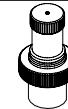
NOTES

For other configurations/quick codes not available in this catalogue page please consult factory

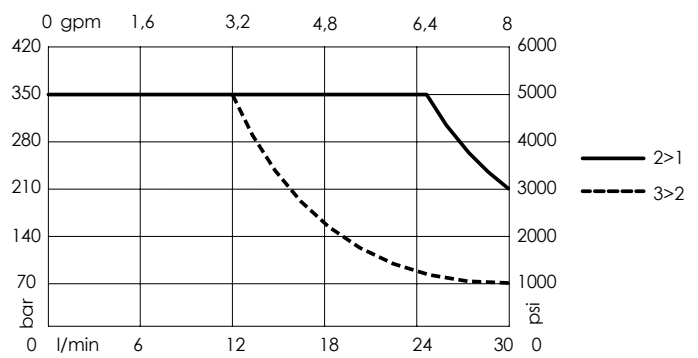
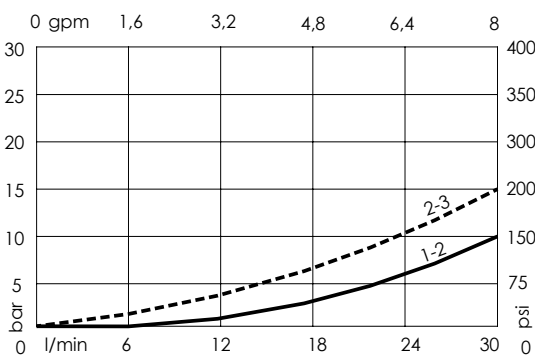
OPTIONS

Standard

Knob style
override



CURVES



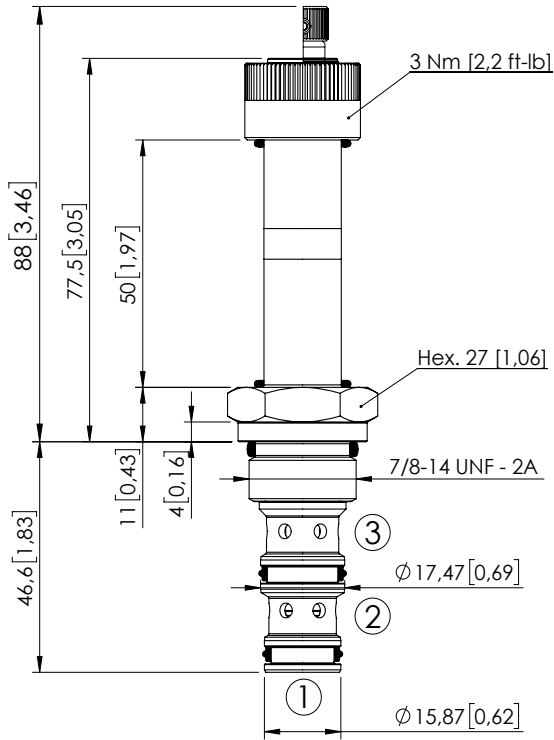
ORDERING CODES

Quick code	Description	Options
CE000985	CECS-030-SEFN-61-S10-N350	Standard
CE000986	CECS-030-SEFE-61-S10-N350	Knob style override

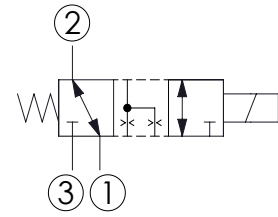
SOLENOID OPERATED CARTRIDGE

CECS-030-SEFN-62

DIRECT ACTING
SPOOL TYPE



Dimensions: mm [inches]



SPECIFICATIONS

Max. operating pressure:	350 bar (5000 psi)
Rated flow:	30 l/min (8 gpm)
Cavity:	SAE-10-3N
Weight:	0,26 kg (0,57 lbs)
Min. voltage required:	90% of nominal
Coil type:	M16 type
Ambient temperature:	-20/+50 °C (-4/+122 °F)
Contamination class to ISO 4406:	See technical spec.
Seal kit:	RB600092
Installation torque:	50 - 55 Nm (37 - 41 ft-lb)
MTF _a :	150 - 1200 years: See technical spec.
Leakage:	70 cm ³ /min (@46 cSt) 4,2 in ³ /min (@46 cSt)

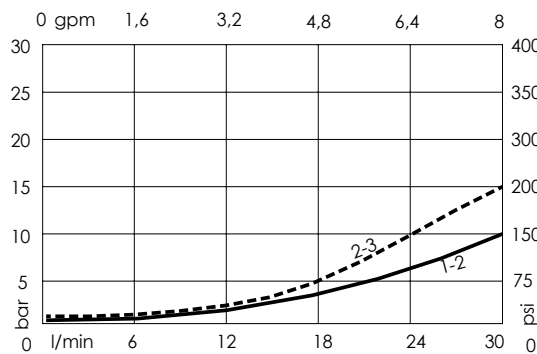
NOTES

For other configurations/quick codes not available in this catalogue page please consult factory

OPTIONS



CURVES



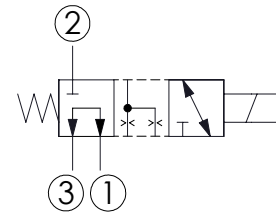
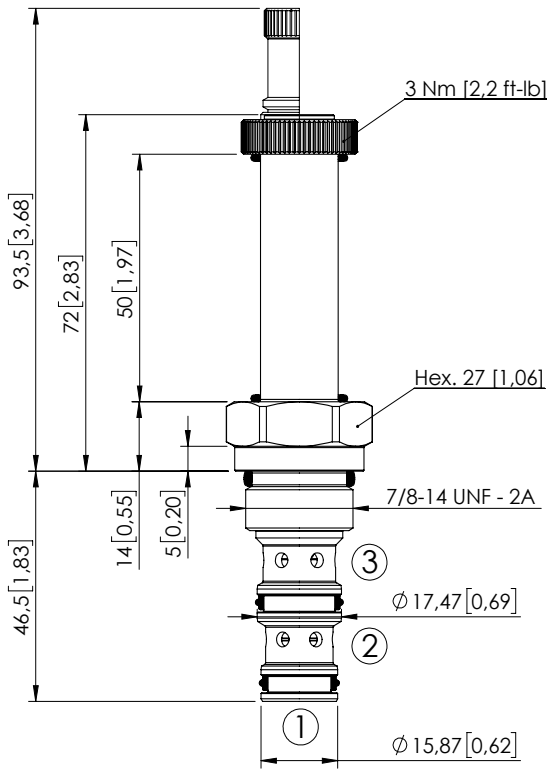
ORDERING CODES

Quick code	Description	Options
CE000987	CECS-030-SEFN-62-S10-N350	Standard
CE000988	CECS-030-SEFE-62-S10-N350	Knob style override

SOLENOID OPERATED CARTRIDGE

CECS-030-SEFN-63

DIRECT ACTING
SPOOL TYPE



SPECIFICATIONS

Max. operating pressure:	350 bar (5000 psi)
Rated flow:	30 l/min (8 gpm)
Cavity:	SAE-10-3N
Weight:	0,2 kg (0,44 lbs)
Min. voltage required:	90% of nominal
Coil type:	M16 type
Ambient temperature:	-20/+50 °C (-4/+122 °F)
Contamination class to ISO 4406:	See technical spec.
Seal kit:	RB600092
Installation torque:	55 - 62 Nm (41 - 46 ft-lb)
MTTF _d :	150 - 1200 years: See technical spec.
Leakage:	70 cm ³ /min (@46 cSt) 4,2 in ³ /min (@46 cSt)

Dimensions: mm [inches]

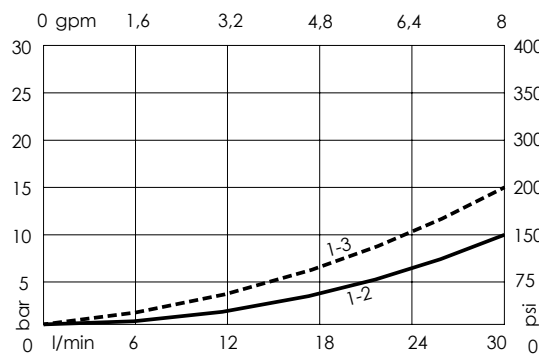
NOTES

For other configurations/quick codes not available in this catalogue page please consult factory

OPTIONS



CURVES



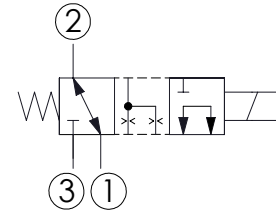
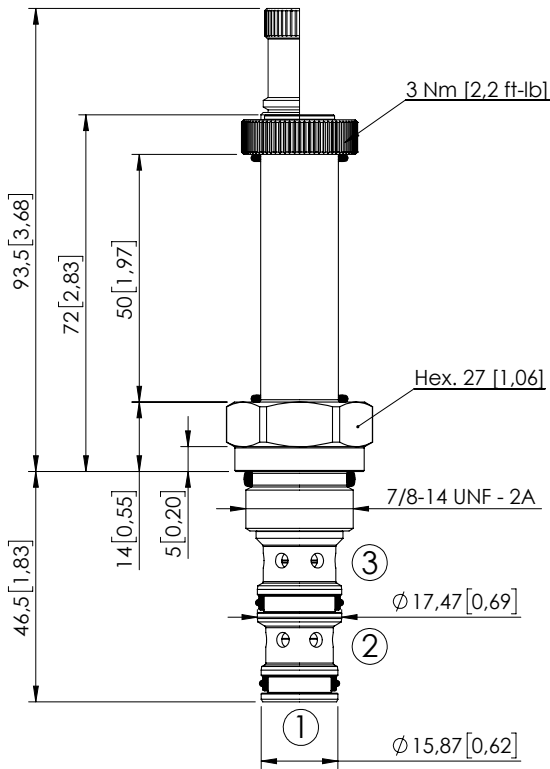
ORDERING CODES

Quick code	Description	Options
CE000989	CECS-030-SEFN-63-S10-N350	Standard
CE000990	CECS-030-SEFE-63-S10-N350	Knob style override

SOLENOID OPERATED CARTRIDGE

CECS-030-SEFN-64

DIRECT ACTING
SPOOL TYPE



SPECIFICATIONS

Max. operating pressure:	350 bar (5000 psi)
Rated flow:	30 l/min (8 gpm)
Cavity:	SAE-10-3N
Weight:	0,2 kg (0,44 lbs)
Min. voltage required:	90% of nominal
Coil type:	M16 type
Ambient temperature:	-20/+50 °C (-4/+122 °F)
Contamination class to ISO 4406:	See technical spec.
Seal kit:	RB600092
Installation torque:	55 - 62 Nm (41 - 46 ft-lb)
MTF _d :	150 - 1200 years: See technical spec.
Leakage:	70 cm ³ /min (@46 cSt) 4,2 in ³ /min (@46 cSt)

Dimensions: mm [inches]

NOTES

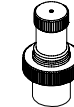
For other configurations/quick codes not available in this catalogue page please consult factory

OPTIONS

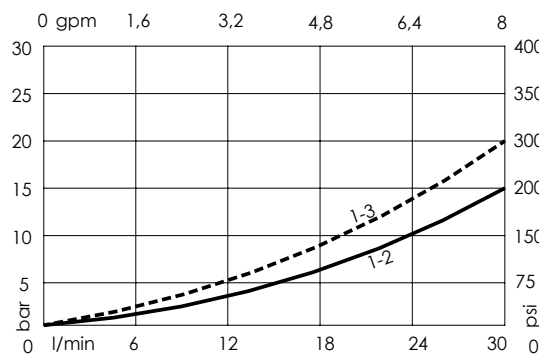
Standard



Knob style
override



CURVES



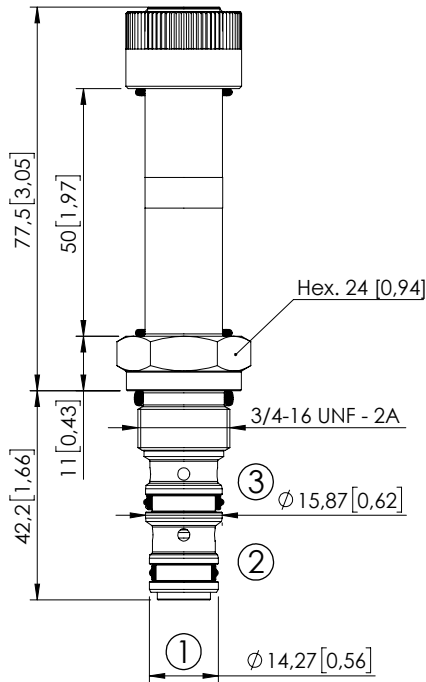
ORDERING CODES

Quick code	Description	Options
CE000991	CECS-030-SEFN-64-S10-N350	Standard
CE000992	CECS-030-SEFE-64-S10-N350	Knob style override

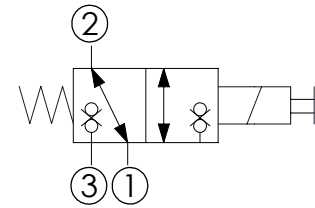
SOLENOID OPERATED CARTRIDGE

CECD-020-SEFN-66

DIRECT OPERATED
POPPET TYPE



Dimensions: mm [inches]



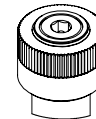
SPECIFICATIONS

Max. operating pressure:	350 bar (5000 psi)
Rated flow:	20 l/min (5 gpm)
Cavity:	SAE-08-3N
Weight:	0.38 kg (0.55 lbs)
Min. voltage required:	90% of nominal
Coil type:	M16 type
Ambient temperature:	-20/+50 °C (-4/+122 °F)
Contamination class to ISO 4406:	See technical spec.
Seal kit:	RB600091
Installation torque:	45 - 50 Nm (33.2 - 36.9 ft-lb)
MTF _d :	150 - 1200 years: See technical spec.
Leakage:	0,15 cm ³ /min (@46 cSt) 0,009 in ³ /min (@46 cSt)

NOTES

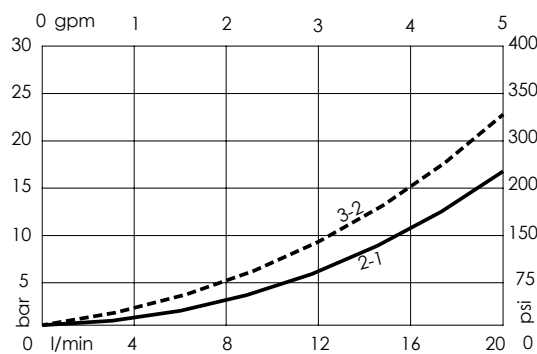
For other configurations/quick codes not available in this catalogue page please consult factory

OPTIONS



Push style
Manual Override

CURVES



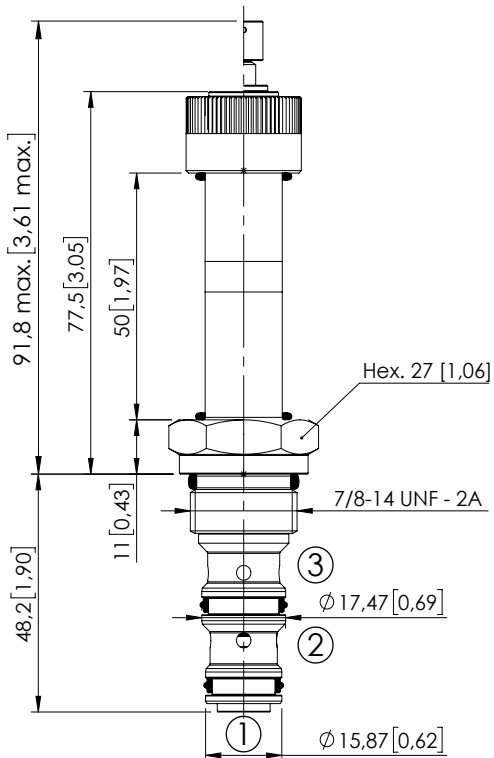
ORDERING CODES

Quick code	Description	Options
CE001191	CECD-020-SEFN-66-S08-N350	Push style Manual Override

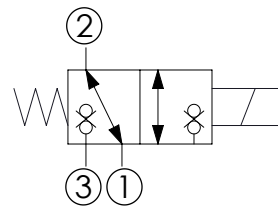
SOLENOID OPERATED CARTRIDGE

CECD-030-SEFP-66

DIRECT OPERATED
POPPET TYPE



Dimensions: mm [inches]



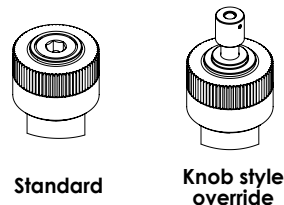
SPECIFICATIONS

Max. operating pressure:	350 bar (5000 psi)
Rated flow:	30 l/min (8 gpm)
Cavity:	SAE-10-3N
Weight:	0,26 kg (0,57 lbs)
Min. voltage required:	90% of nominal
Coil type:	M16 type
Ambient temperature:	-20/+50 °C (-4/+122 °F)
Contamination class to ISO 4406:	See technical spec.
Seal kit:	RB600092
Installation torque:	55 - 62 Nm (41 - 46 ft-lb)
MTF _d :	150 - 1200 years: See technical spec.
Leakage:	0,15 cm ³ /min (@46 cSt) 0,009 in ³ /min (@46 cSt)

NOTES

For other configurations/quick codes not available in this catalogue page please consult factory

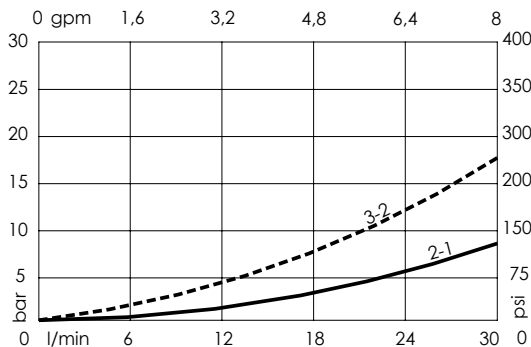
OPTIONS



Standard

Knob style
override

CURVES



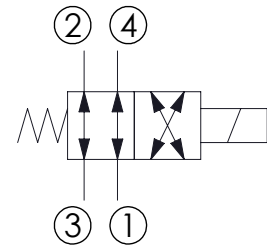
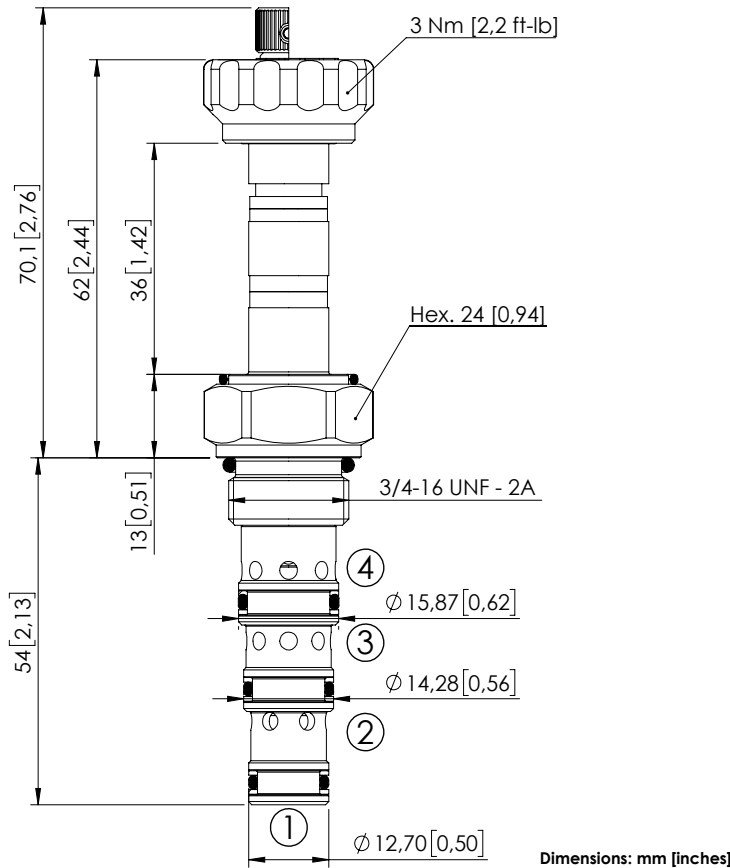
ORDERING CODES

Quick code	Description	Options
CE001030	CECD-030-SEFN-66-S10-N350	Standard
CE001918	CECD-030-SEFE-66-S10-N350	Knob style override

SOLENOID OPERATED CARTRIDGE

CEDS-015-SEFN-40

DIRECT OPERATED
SPOOL TYPE



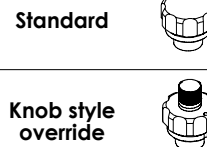
SPECIFICATIONS

Max. operating pressure:	350 bar (500)
Max. operating pressure on port 1:	280 bar (400)
Rated flow:	15 l/min (4 g)
Cavity:	SAE-08
Weight:	0,14 kg (0,2)
Min. voltage required:	90% of nom
Coil type:	M7 or M3 t
Ambient temperature:	-20/+50 °C (-4/+12)
Contamination class to ISO 4406:	See technical s
Seal kit:	RB7001
Installation torque:	45 - 50 Nm (33 - 37 l)
MTF _d :	150 - 1200 years: See technical sp
Leakage:	120 cm ³ /min @ 7,3 in ³ /min @

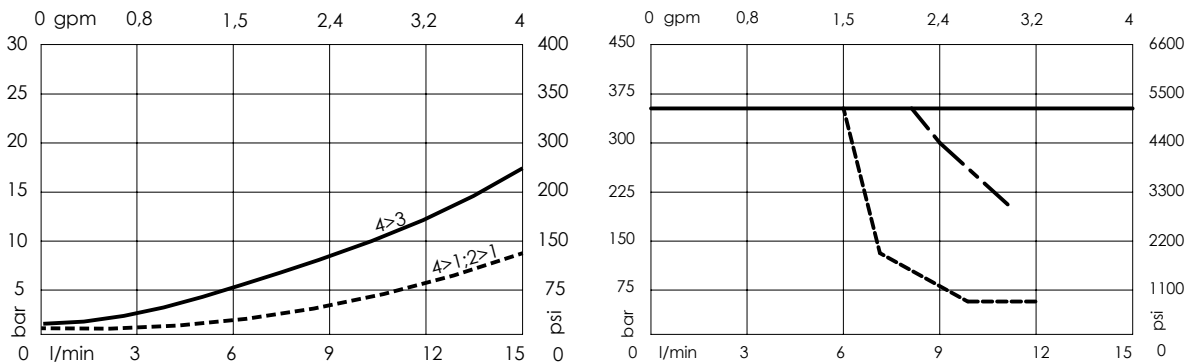
NOTES

For other configurations/quick codes not available in this catalogue page please consult factory

OPTIONS



CURVES



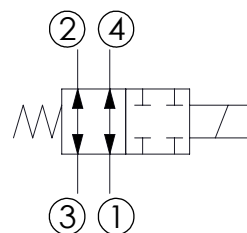
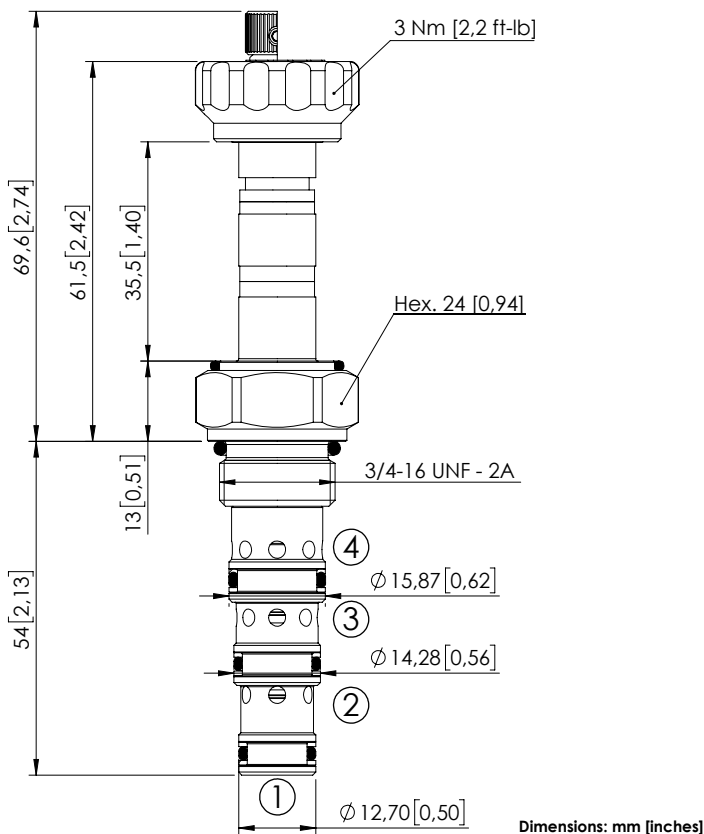
ORDERING CODES

Quick code	Description	Options
CE000014	CEDS-015-SEFN-40-S08-N350	Standard
CE000071	CEDS-015-SEFE-40-S08-N350	Knob style override

SOLENOID OPERATED CARTRIDGE

CEDS-015-SEFN-49

DIRECT OPERATED SPOOL TYPE



SPECIFICATIONS

Max. operating pressure:	350 bar (5000 psi)
Max. operating pressure on port 1:	280 bar (4000 psi)
Rated flow:	15 l/min (4 gpm)
Cavity:	SAE-08-4N
Weight:	0,14 kg (0.26 lbs)
Min. voltage required:	90% of nominal
Coil type:	M7 or M3 type
Ambient temperature:	-20/+50 °C (-4/+122 °F)
Contamination class to ISO 4406:	See technical spec.
Seal kit:	RB700101
Installation torque:	45 - 50 Nm (33 - 37 ft-lb)
MTTF:	150 - 1200 years: See technical spec.
Leakage:	120 cm ³ /min (@46 cSt) 7,3 in ³ /min (@46 cSt)

NOTES

For other configurations/quick codes not available in this catalogue page please consult factory

OPTIONS

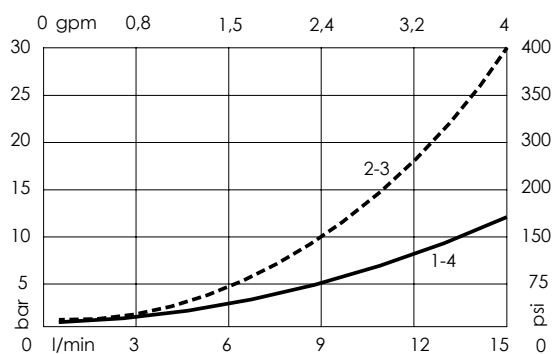
Standard



Knob style override



CURVES



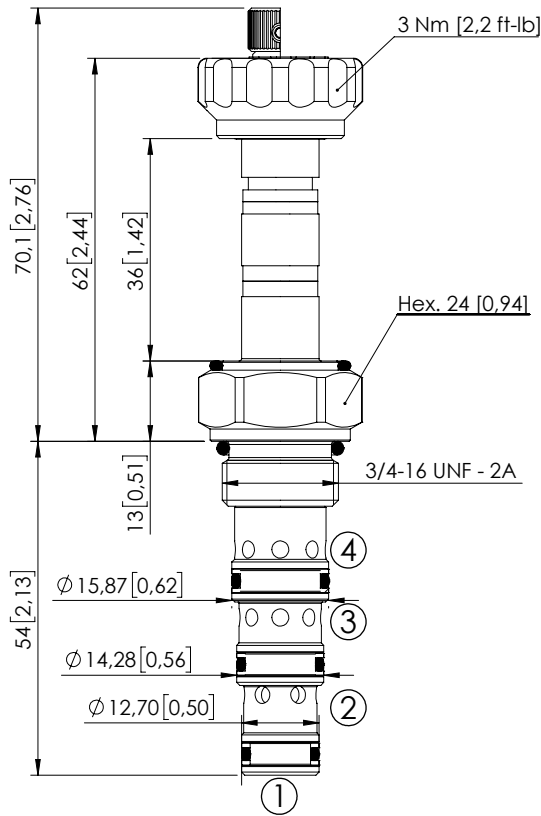
ORDERING CODES

Quick code	Description	Options
CE000867	CEDS-015-SEFN-49-S08-N350	Standard
CE000787	CEDS-015-SEFE-49-S08-N350	Knob style override

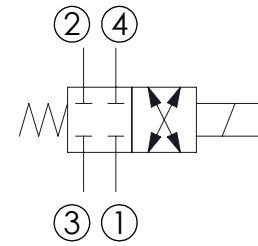
SOLENOID OPERATED CARTRIDGE

CEDS-015-SEFN-41

DIRECT OPERATED
SPOOL TYPE



Dimensions: mm [inches]



SPECIFICATIONS

Max. operating pressure:	350 bar (5000 psi)
Max. operating pressure on port 1:	280 bar (4000 psi)
Rated flow:	15 l/min (4 gpm)
Cavity:	SAE-08-4N
Weight:	0,15 kg (0,26 lbs)
Min. voltage required:	90% of nominal
Coil type:	M7 or M3 type
Ambient temperature:	-20/+50 °C (-4/+122 °F)
Contamination class to ISO 4406:	See technical spec.
Seal kit:	RB700101
Installation torque:	45 - 50 Nm (33 - 37 ft-lb)
MTF _d :	150 - 1200 years: See technical spec.
Leakage:	120 cm ³ /min (@46 cSt) 7,3 in ³ /min (@46 cSt)

NOTES

For other configurations/quick codes not available in this catalogue page please consult factory

OPTIONS

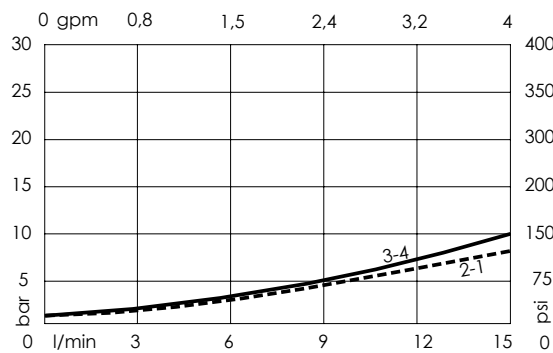
Standard



Knob style override



CURVES



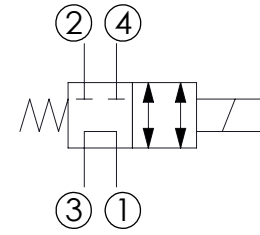
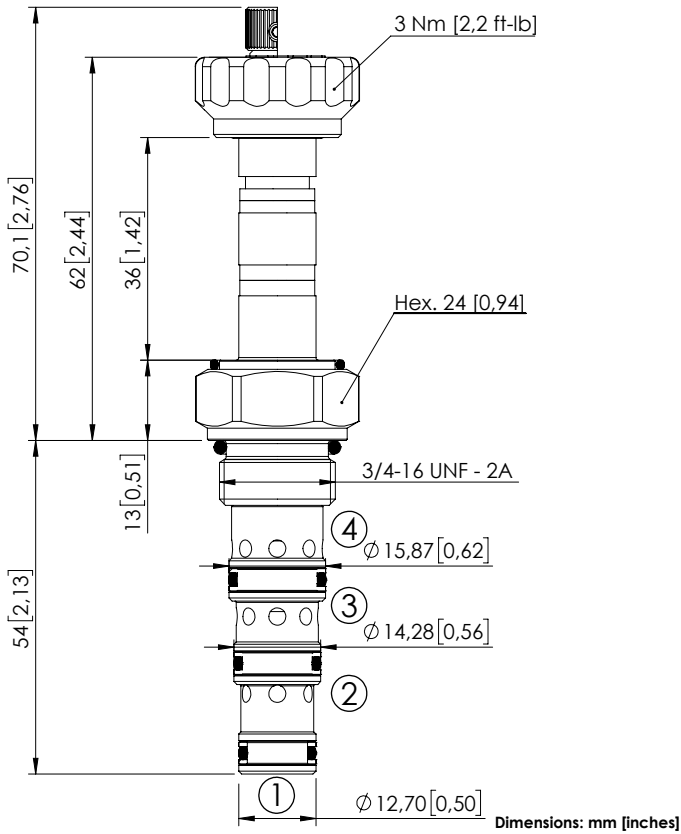
ORDERING CODES

Quick code	Description	Options
CE000012	CEDS-015-SEFN-41-S08-N350	Standard
CE000073	CEDS-015-SEFE-41-S08-N350	Knob style override

SOLENOID OPERATED CARTRIDGE

CEDS-015-SEFN-43

DIRECT OPERATED SPOOL TYPE



SPECIFICATIONS

Max. operating pressure:	350 bar (5000 psi)
Max. operating pressure on port 1:	280 bar (4000 psi)
Rated flow:	15 l/min (4 gpm)
Cavity:	SAE-08-4N
Weight:	0,15 kg (0,26 lbs)
Min. voltage required:	90% of nominal
Coil type:	M7 or M3 type
Ambient temperature:	-20/+50 °C (-4/+122 °F)
Contamination class to ISO 4406:	See technical spec.
Seal kit:	RB700101
Installation torque:	45 - 50 Nm (33 - 37 ft-lb)
MTTF:	150 - 1200 years: See technical spec.
Leakage:	120 cm ³ /min (@46 cSt) 7,3 in ³ /min (@46 cSt)

NOTES

For other configurations/quick codes not available in this catalogue page please consult factory

OPTIONS

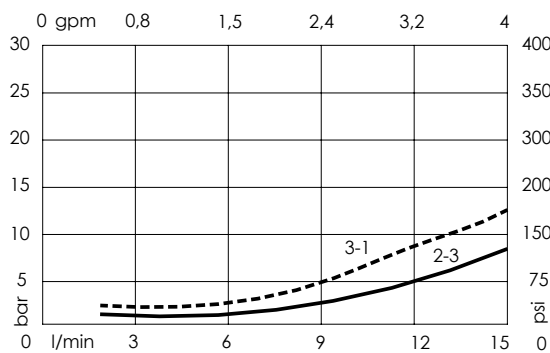
Standard



Knob style override



CURVES



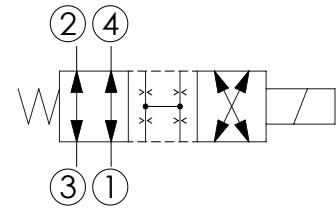
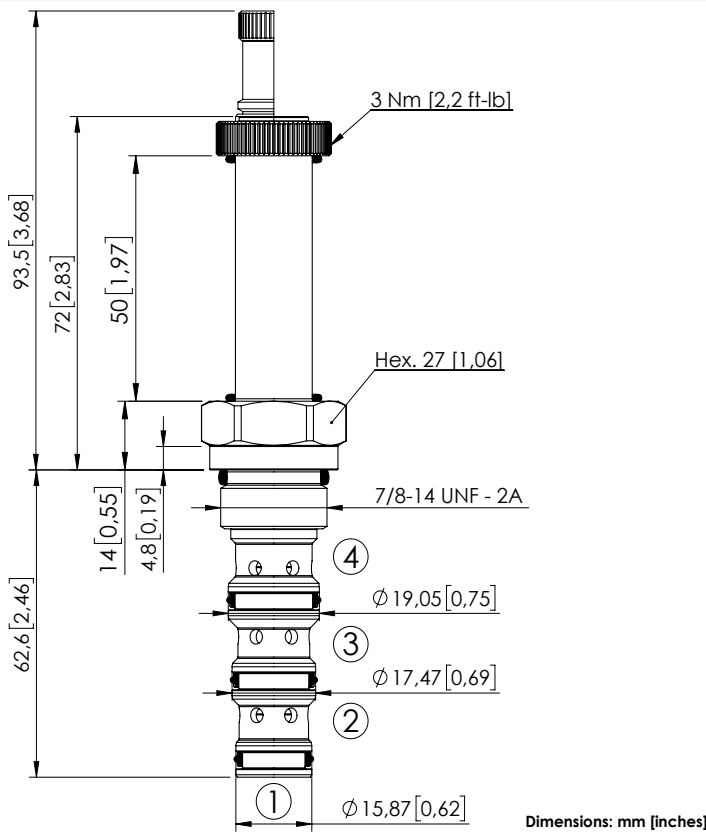
ORDERING CODES

Quick code	Description	Options
CE000006	CEDS-015-SEFN-43-S08-N350	Standard
CE000074	CEDS-015-SEFE-43-S08-N350	Knob style override

SOLENOID OPERATED CARTRIDGE

CEDS-030-SEFN-40

DIRECT ACTING
SPOOL TYPE



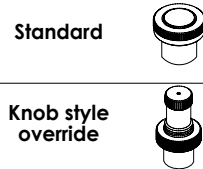
SPECIFICATIONS

Max. operating pressure:	350 bar (5000 psi)
Max. operating pressure on port 1:	210 bar (3000 psi)
Rated flow:	30 l/min (8 gpm)
Cavity:	SAE-10-4N
Weight:	0.22 kg (0,44 lbs)
Min. voltage required:	90% of nominal
Coil type:	M16 type
Ambient temperature:	-20/+50 °C (-4/+122 °F)
Contamination class to ISO 4406:	See technical spec.
Seal kit:	RB600102
Installation torque:	55 - 62 Nm (41 - 46 ft-lb)
MTF _a :	150 - 1200 years: See technical spec.
Leakage:	70 cm ³ /min (@46 cSt) 4,2 in ³ /min (@46 cSt)

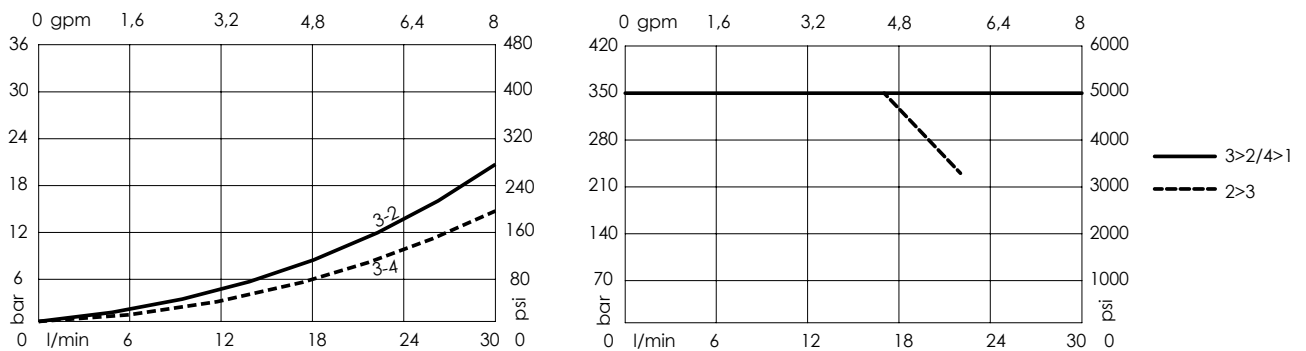
NOTES

For other configurations/quick codes not available in this catalogue page please consult factory

OPTIONS



CURVES



ORDERING CODES

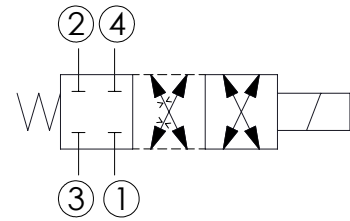
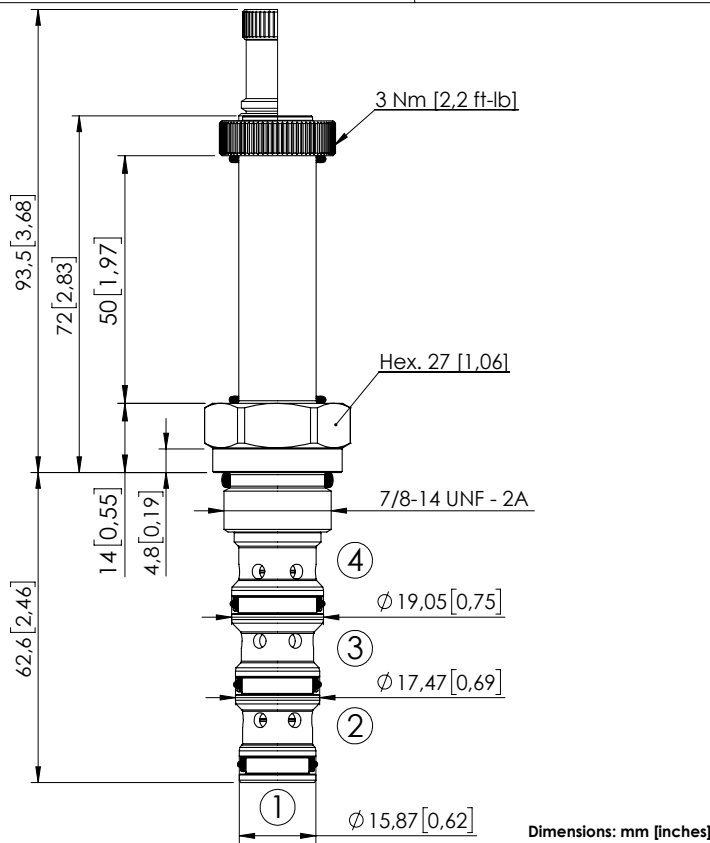
Quick code	Description	Options
CE000951	CEDS-030-SEFN-40-S10-N350	Standard
CE000993	CEDS-030-SEFE-40-S10-N350	Knob style override

Revision E

SOLENOID OPERATED CARTRIDGE

CEDS-030-SEFN-41

DIRECT ACTING
SPOOL TYPE



SPECIFICATIONS

Max. operating pressure:	350 bar (5000 psi)
Max. operating pressure on port 1:	210 bar (3000 psi)
Rated flow:	30 l/min (8 gpm)
Cavity:	SAE-10-4N
Weight:	0.23 kg (0.44 lbs)
Min. voltage required:	90% of nominal
Coil type:	M16 type
Ambient temperature:	-20/+50 °C (-4/+122 °F)
Contamination class to ISO 4406:	See technical spec.
Seal kit:	RB600102
Installation torque:	55 - 62 Nm (41 - 46 ft-lb)
MTF _a :	150 - 1200 years: See technical spec.
Leakage:	70 cm ³ /min (@46 cSt) 4.2 in ³ /min (@46 cSt)

NOTES

For other configurations/quick codes not available in this catalogue page please consult factory

OPTIONS

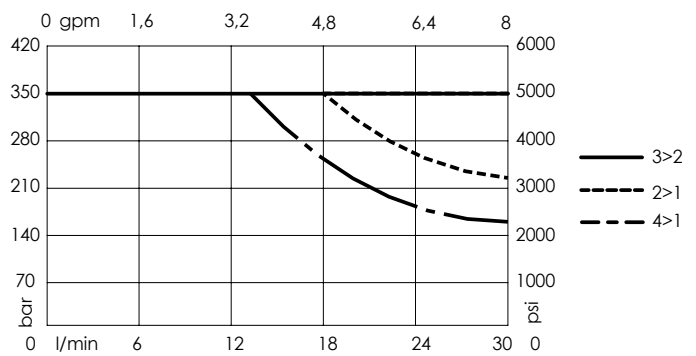
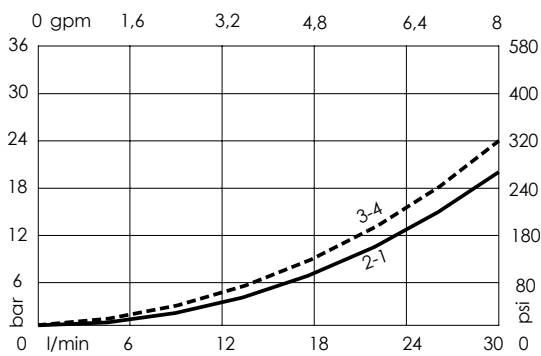
Standard



Knob style override



CURVES



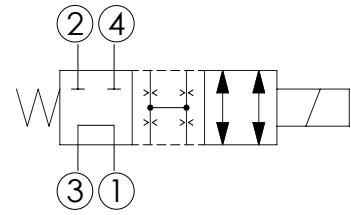
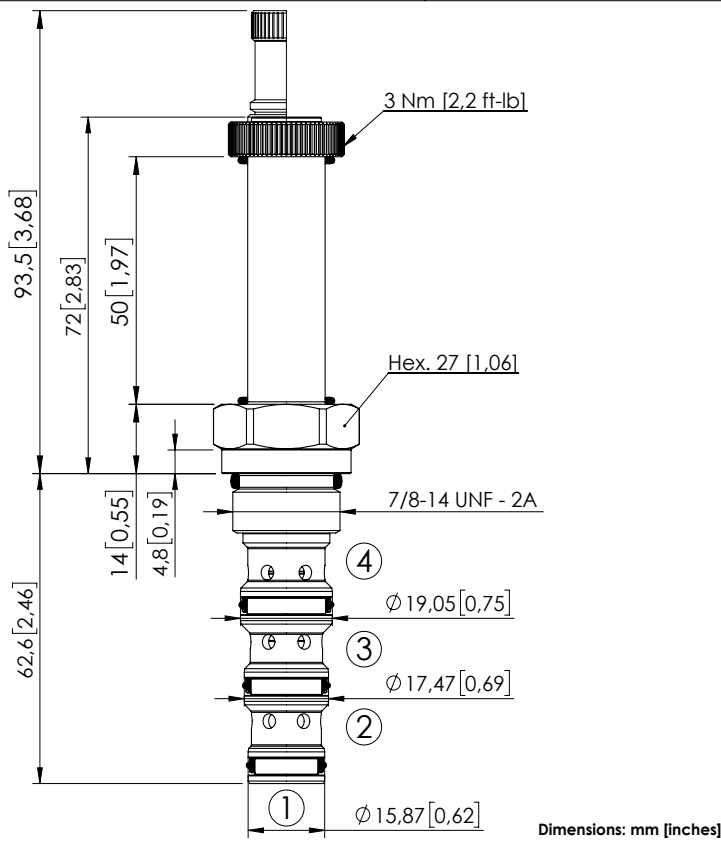
ORDERING CODES

Quick code	Description	Options
CE000994	CEDS-030-SEFN-41-S10-N350	Standard
CE000995	CEDS-030-SEFE-41-S10-N350	Knob style override

SOLENOID OPERATED CARTRIDGE

CEDS-030-SEFN-43

DIRECT ACTING
SPOOL TYPE



SPECIFICATIONS

Max. operating pressure:	350 bar (5000 psi)
Max. operating pressure on port 1:	210 bar (3000 psi)
Rated flow:	30 l/min (8 gpm)
Cavity:	SAE-10-4N
Weight:	0.23 kg (0.44 lbs)
Min. voltage required:	90% of nominal
Coil type:	M16 type
Ambient temperature:	-20/+50 °C (-4/+122 °F)
Contamination class to ISO 4406:	See technical spec.
Seal kit:	RB600102
Installation torque:	55 - 62 Nm (41 - 46 ft-lb)
MTTFa:	150 - 1200 years: See technical spec.
Leakage:	70 cm ³ /min (@46 cSt) 4.2 in ³ /min (@46 cSt)

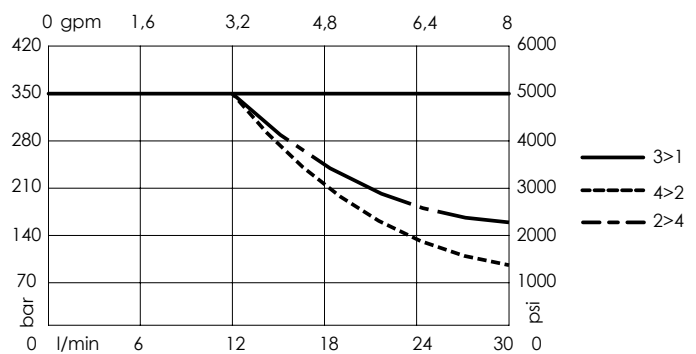
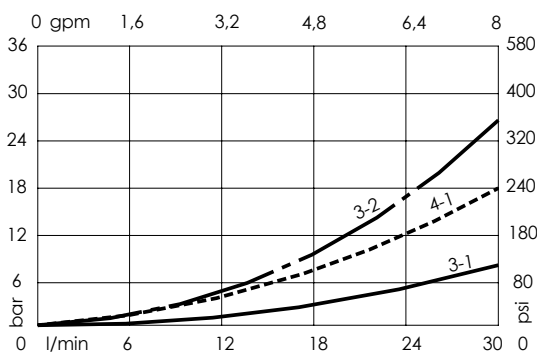
NOTES

For other configurations/quick codes not available in this catalogue page please consult factory

OPTIONS



CURVES



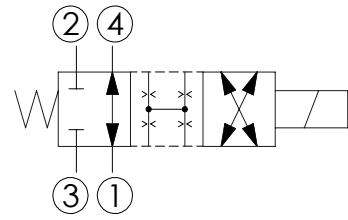
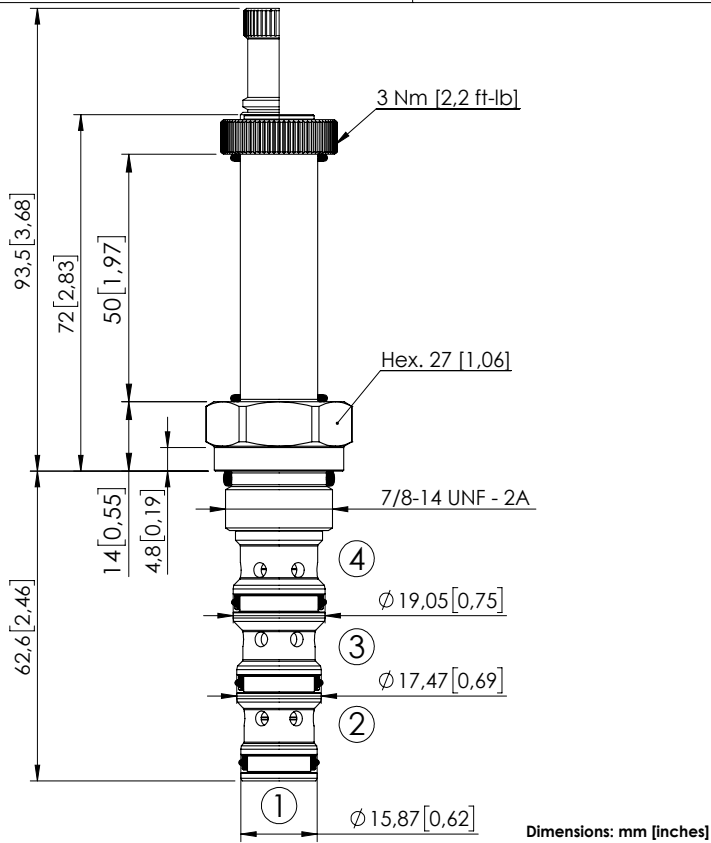
ORDERING CODES

Quick code	Description	Options
CE000996	CEDS-030-SEFN-43-S10-N350	Standard
CE000997	CEDS-030-SEFE-43-S10-N350	Knob style override

SOLENOID OPERATED CARTRIDGE

CEDS-030-SEFN-111

DIRECT ACTING
SPOOL TYPE



SPECIFICATIONS

Max. operating pressure:	350 bar (5000 psi)
Rated flow:	30 l/min (8 gpm)
Cavity:	SAE-10-4N
Weight:	0.22 kg (0,44 lbs)
Min. voltage required:	90% of nominal
Coil type:	M16 type
Ambient temperature:	-20/+50 °C (-4/+122 °F)
Contamination class to ISO 4406:	See technical spec.
Seal kit:	RB600102
Installation torque:	55 - 62 Nm (41 - 46 ft-lb)
MTF _d :	150 - 1200 years: See technical spec.
Leakage:	70 cm ³ /min (@46 cSt) 4,2 in ³ /min (@46 cSt)

NOTES

For other configurations/quick codes not available in this catalogue page please consult factory

OPTIONS

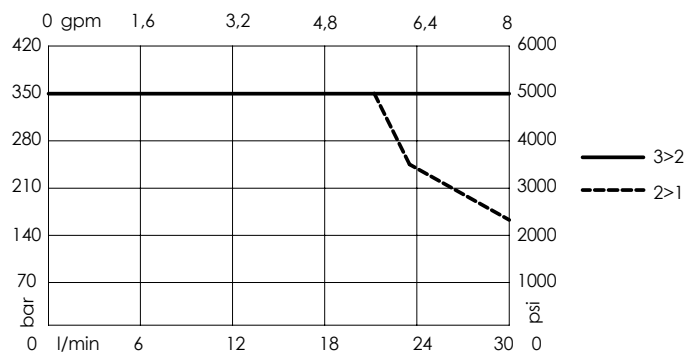
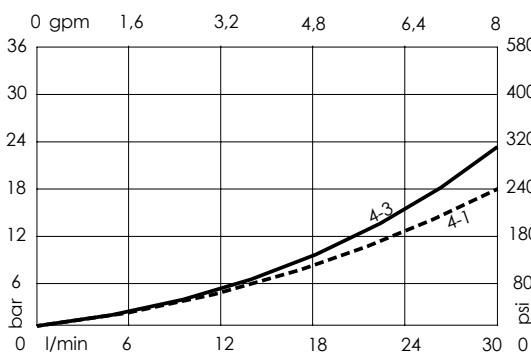
Standard



Knob style override



CURVES



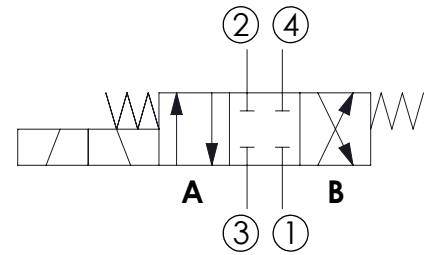
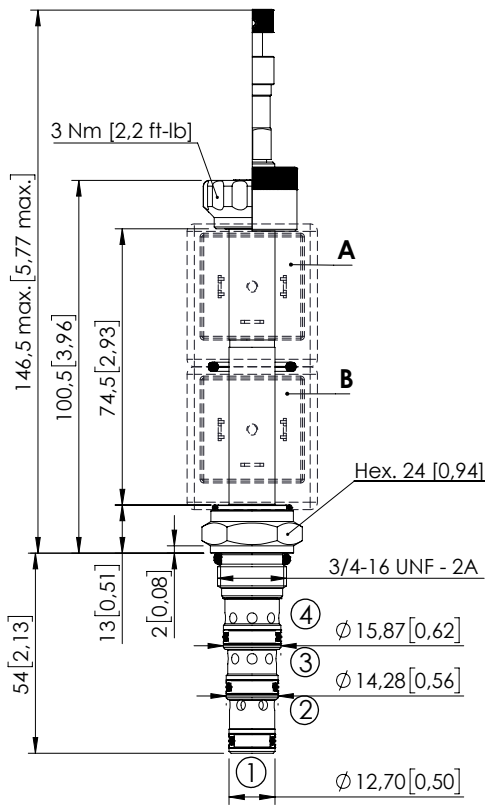
ORDERING CODES

Quick code	Description	Options
CE000984	CEDS-030-SEFN-111-S10-N350	Standard
CE000998	CEDS-030-SEFE-111-S10-N350	Knob style override

SOLENOID OPERATED CARTRIDGE

CEES-010-SEFN-51

DIRECT OPERATED
SPOOL TYPE



SPECIFICATIONS

Max. operating pressure:	350 bar (5000 psi)
Max. operating pressure on port 1:	210 bar (3000 psi)
Rated flow:	10 l/min (3 gpm)
Cavity:	SAE-08-4N
Weight:	0,18 kg (0,40 lbs)
Min. voltage required:	90% of nominal
Coil type:	M7 or M3 type
Ambient temperature:	-20/+50 °C (-4/+122 °F)
Contamination class to ISO 4406:	See technical spec.
Seal kit:	RB700101
Installation torque:	45 - 50 Nm (33 - 37 ft-lb)
MTTF:	150 - 1200 years: See technical spec.
Leakage:	120 cm ³ /min (@46 cSt) 7,3 in ³ /min (@46 cSt)

NOTES

For other configurations/quick codes not available in this catalogue page please consult factory

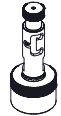
OPTIONS



Standard

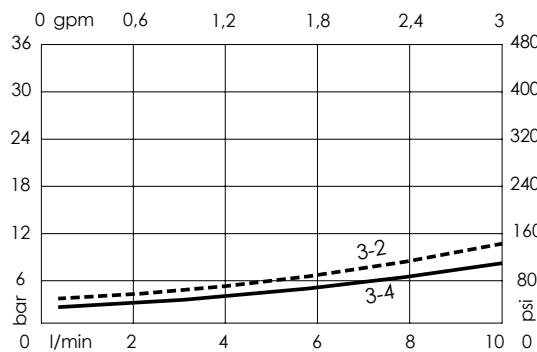


Push and
pull manual
override



Push pull and
twist manual
override

CURVES



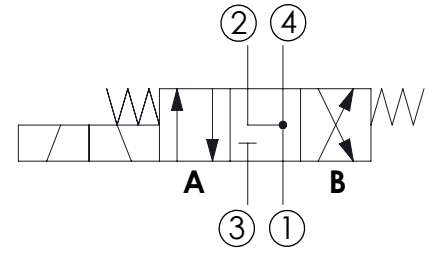
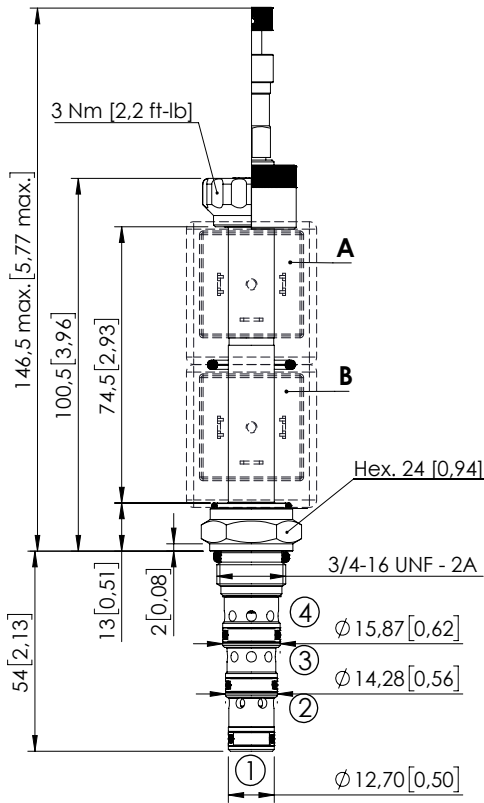
ORDERING CODES

Quick code	Description	Options
CE000028	CEES-010-SEFN-51-S08-N350	Standard
CE000098	CEES-010-SEFL-51-S08-N350	Push and pull manual override
CE000189	CEES-010-SEFG-51-S08-N350	Push pull and twist manual override

SOLENOID OPERATED CARTRIDGE

CEES-010-SEFN-52

DIRECT OPERATED
SPOOL TYPE



SPECIFICATIONS

Max. operating pressure:	350 bar (5000 psi)
Max. operating pressure on port 1:	210 bar (3000 psi)
Rated flow:	10 l/min (3 gpm)
Cavity:	SAE-08-4N
Weight:	0,18 kg (0,40 lbs)
Min. voltage required:	90% of nominal
Coil type:	M7 or M3 type
Ambient temperature:	-20/+50 °C (-4/+122 °F)
Contamination class to ISO 4406:	See technical spec.
Seal kit:	RB700101
Installation torque:	45 - 50 Nm (33 - 37 ft-lb)
MTTF:	150 - 1200 years: See technical spec.
Leakage:	120 cm ³ /min (@46 cSt) 7,3 in ³ /min (@46 cSt)

NOTES

For other configurations/quick codes not available in this catalogue page please consult factory

OPTIONS



Standard

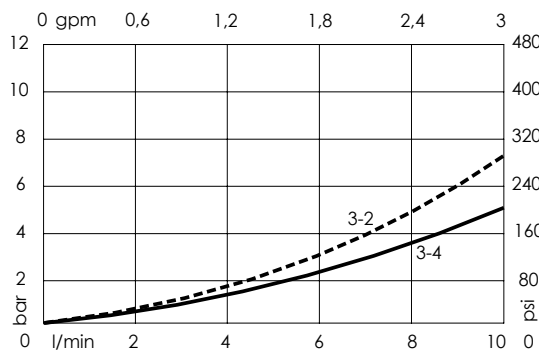


Push and pull manual override



Push pull and twist manual override

CURVES



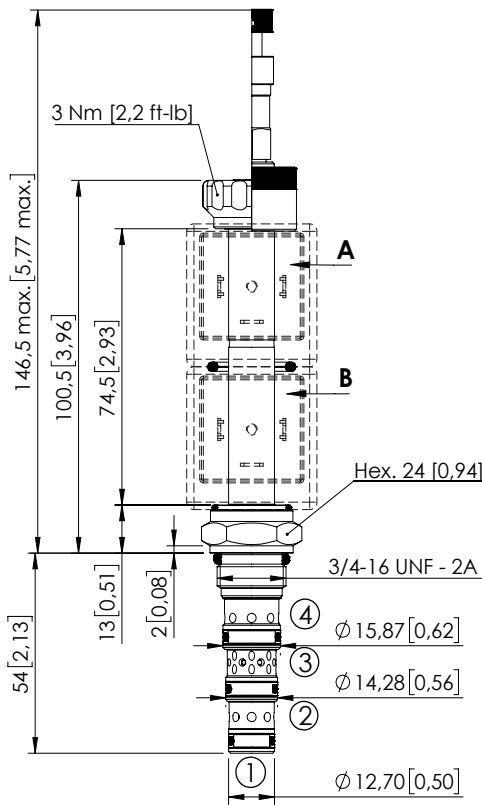
ORDERING CODES

Quick code	Description	Options
CE000029	CEES-010-SEFN-52-S08-N350	Standard
CE000095	CEES-010-SEFL-52-S08-N350	Push and pull manual override
CE000145	CEES-010-SEFG-52-S08-N350	Push pull and twist manual override

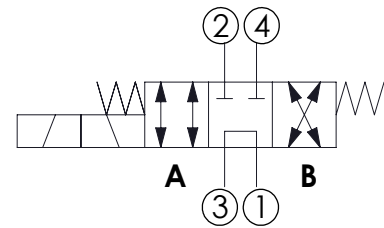
SOLENOID OPERATED CARTRIDGE

CEES-010-SEFN-53

DIRECT OPERATED
SPOOL TYPE



Dimensions: mm [inches]



SPECIFICATIONS

Max. operating pressure:	350 bar (5000 psi)
Max. operating pressure on port 1:	210 bar (3000 psi)
Rated flow:	10 l/min (3 gpm)
Cavity:	SAE-08-4N
Weight:	0,18 kg (0,40 lbs)
Min. voltage required:	90% of nominal
Coil type:	M7 or M3 type
Ambient temperature:	-20/+50 °C (-4/+122 °F)
Contamination class to ISO 4406:	See technical spec.
Seal kit:	RB700101
Installation torque:	45 - 50 Nm (33 - 37 ft-lb)
MTTFd:	150 - 1200 years: See technical spec.
Leakage:	120 cm ³ /min (@46 cSt) 7,3 in ³ /min (@46 cSt)

NOTES

For other configurations/quick codes not available in this catalogue page please consult factory

OPTIONS



Standard

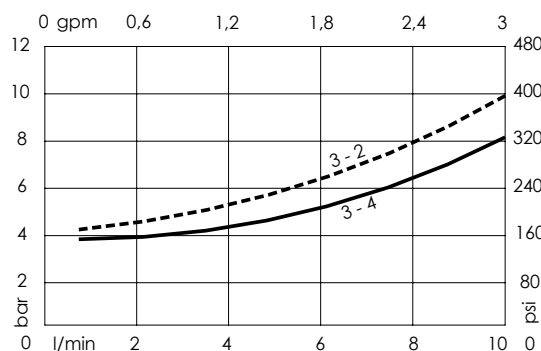


Push and pull manual override



Push pull and twist manual override

CURVES



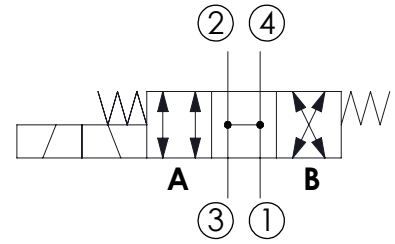
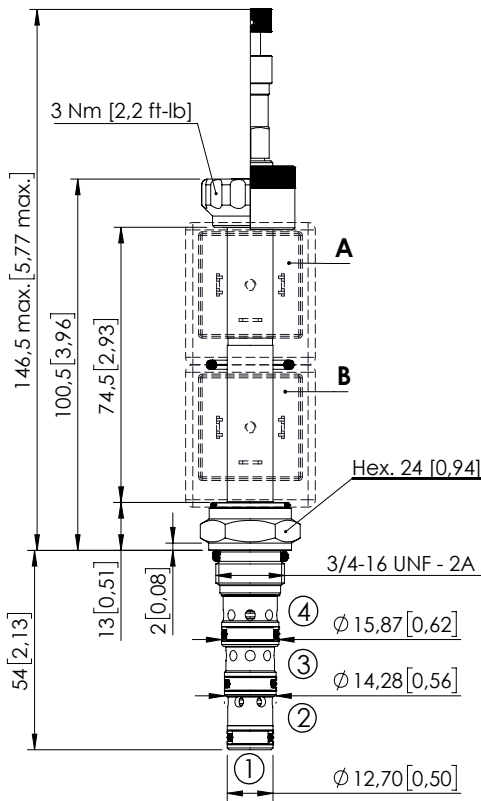
ORDERING CODES

Quick code	Description	Options
CE000083	CEES-010-SEFN-53-S08-N350	Standard
CE000097	CEES-010-SEFL-53-S08-N350	Push and pull manual override
CE000185	CEES-010-SEFG-53-S08-N350	Push pull and twist manual override

SOLENOID OPERATED CARTRIDGE

CEES-010-SEFN-54

DIRECT OPERATED
SPOOL TYPE



SPECIFICATIONS

Max. operating pressure:	350 bar (5000 psi)
Max. operating pressure on port 1:	210 bar (3000 psi)
Rated flow:	10 l/min (3 gpm)
Cavity:	SAE-08-4N
Weight:	0,18 kg (0,40 lbs)
Min. voltage required:	90% of nominal
Coil type:	M7 or M3 type
Ambient temperature:	-20/+50 °C (-4/+122 °F)
Contamination class to ISO 4406:	See technical spec.
Seal kit:	RB700101
Installation torque:	45 - 50 Nm (33 - 37 ft-lb)
MTFa:	150 - 1200 years: See technical spec.
Leakage:	120 cm ³ /min (@46 cSt) 7,3 in ³ /min (@46 cSt)

NOTES

For other configurations/quick codes not available in this catalogue page please consult factory

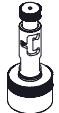
OPTIONS



Standard

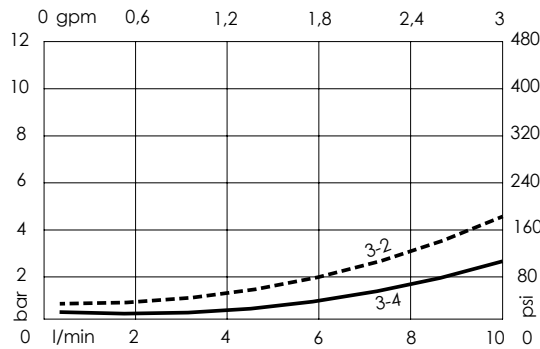


Push and pull manual override



Push pull and twist manual override

CURVES



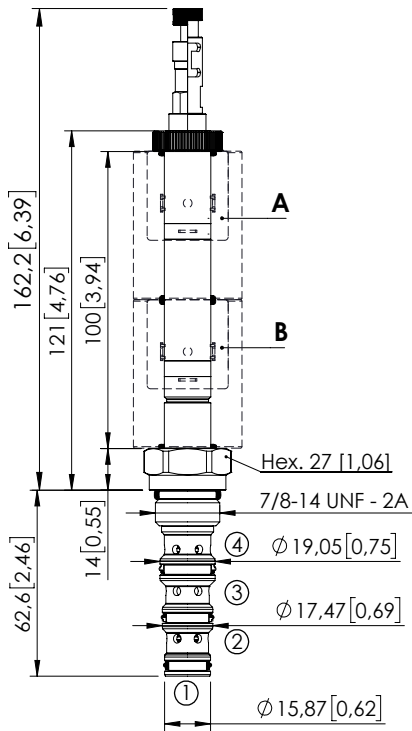
ORDERING CODES

Quick code	Description	Options
CE000018	CEES-010-SEFN-54-S08-N350	Standard
CE000099	CEES-010-SEFL-54-S08-N350	Push and pull manual override
CE000188	CEES-010-SEFG-54-S08-N350	Push pull and twist manual override

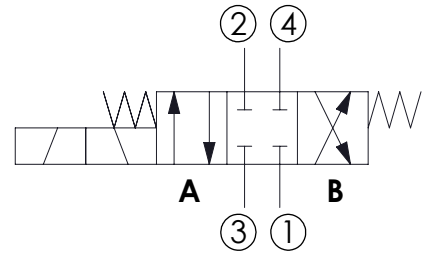
SOLENOID OPERATED CARTRIDGE

CEES-030-SEFN-51

DIRECT OPERATED
SPOOL TYPE



Dimensions: mm [inches]



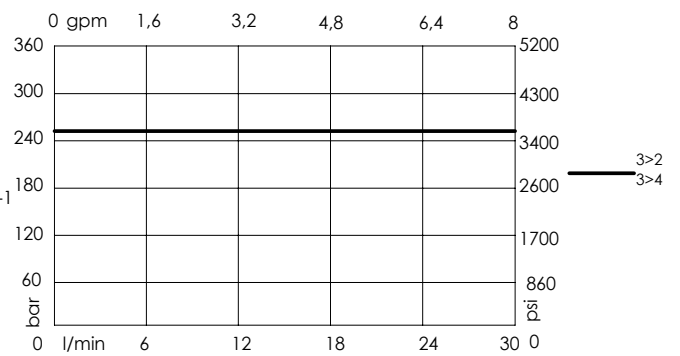
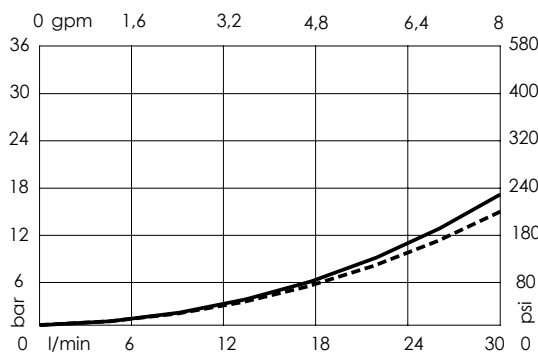
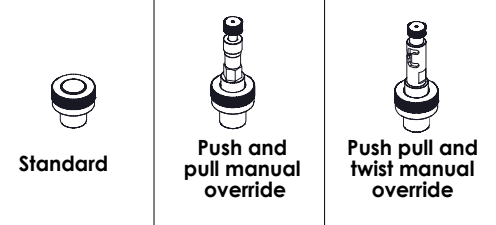
SPECIFICATIONS

Max. operating pressure:	250 bar (3600 psi)
Rated flow:	30 l/min (8 gpm)
Cavity:	SAE-10-4N
Weight:	0.21 kg (0.68 lbs)
Min. voltage required:	90% of nominal
Coil type:	M16 type
Ambient temperature:	-20/+50 °C (-4/+122 °F)
Contamination class to ISO 4406:	See technical spec.
Seal kit:	RB600102
Installation torque:	55 - 62 Nm (41 - 46 ft-lb)
MTF _d :	150 - 1200 years: See technical spec.
Leakage:	60 cm ³ /min (@46 cSt) 3.7 in ³ /min (@46 cSt)

NOTES

For other configurations/quick codes not available in this catalogue page please consult factory

OPTIONS



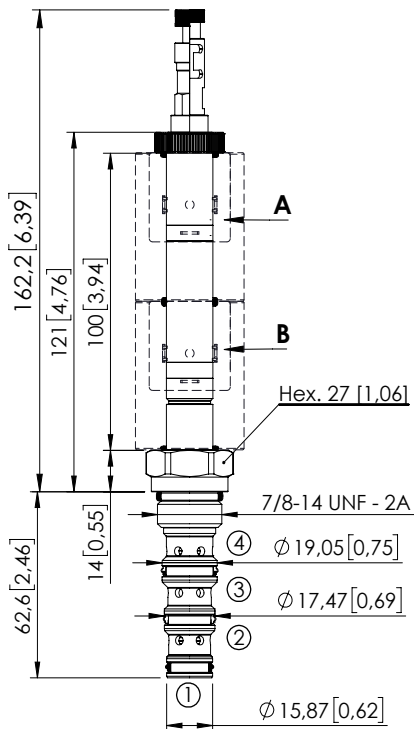
ORDERING CODES

Quick code	Description	Options
CE000999	CEES-030-SEFN-51-S10-N250	Standard
CE001000	CEES-030-SEFL-51-S10-N250	Push and pull manual override
CE001001	CEES-030-SEFG-51-S10-N250	Push pull and twist manual override

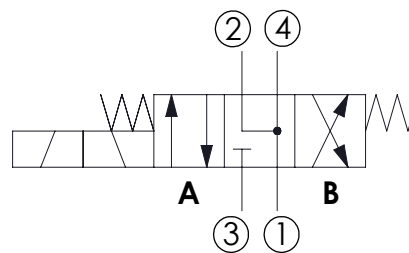
SOLENOID OPERATED CARTRIDGE

CEES-030-SEFN-52

DIRECT OPERATED
SPOOL TYPE



Dimensions: mm [inches]



SPECIFICATIONS

Max. operating pressure:	250 bar (3600 psi)
Rated flow:	30 l/min (8 gpm)
Cavity:	SAE-10-4N
Weight:	0.21 kg (0.68 lbs)
Min. voltage required:	90% of nominal
Coil type:	M16 type
Ambient temperature:	-20/+50 °C (-4/+122 °F)
Contamination class to ISO 4406:	See technical spec.
Seal kit:	RB600102
Installation torque:	55 - 62 Nm (41 - 46 ft-lb)
MTF _d :	150 - 1200 years: See technical spec.
Leakage:	60 cm ³ /min (@46 cSt) 3.7 in ³ /min (@46 cSt)

NOTES

For other configurations/quick codes not available in this catalogue page please consult factory

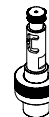
OPTIONS



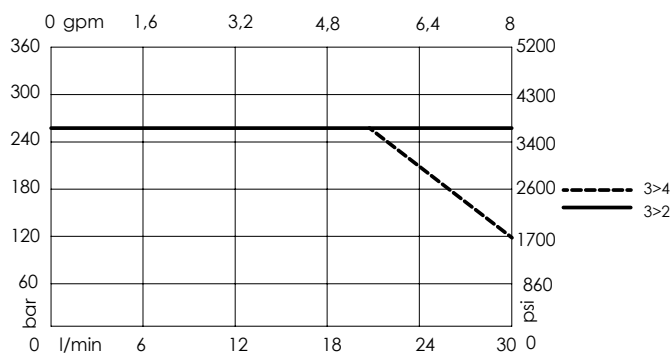
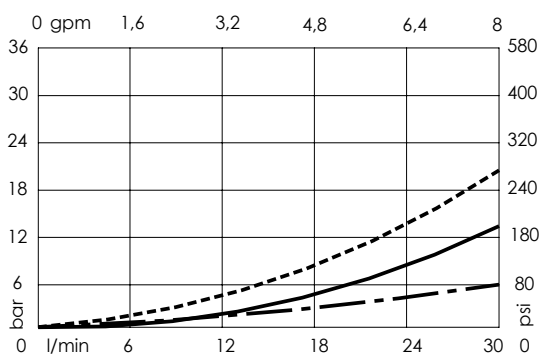
Standard



Push and pull manual override



Push pull and twist manual override



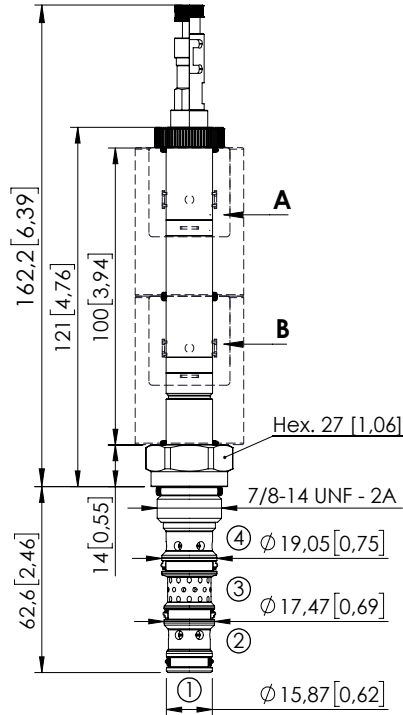
ORDERING CODES

Quick code	Description	Options
CE001002	CEES-030-SEFN-52-S10-N250	Standard
CE001003	CEES-030-SEFL-52-S10-N250	Push and pull manual override
CE001004	CEES-030-SEFG-52-S10-N250	Push pull and twist manual override

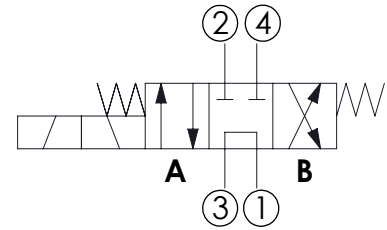
SOLENOID OPERATED CARTRIDGE

CEES-020-SEFN-53

DIRECT OPERATED
SPOOL TYPE



Dimensions: mm [inches]



SPECIFICATIONS

Max. operating pressure:	250 bar (3600 psi)
Rated flow:	20 l/min (5 gpm)
Cavity:	SAE-10-4N
Weight:	0.20 kg (0.68 lbs)
Min. voltage required:	90% of nominal
Coil type:	M16 type
Ambient temperature:	-20/+50 °C (-4/+122 °F)
Contamination class to ISO 4406:	See technical spec.
Seal kit:	RB600102
Installation torque:	55 - 62 Nm (41 - 46 ft-lb)
MTF _d :	150 - 1200 years: See technical spec.
Leakage:	80 cm ³ /min (@46 cSt) 4,9 in ³ /min (@46 cSt)

NOTES

For other configurations/quick codes not available in this catalogue page please consult factory

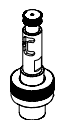
OPTIONS



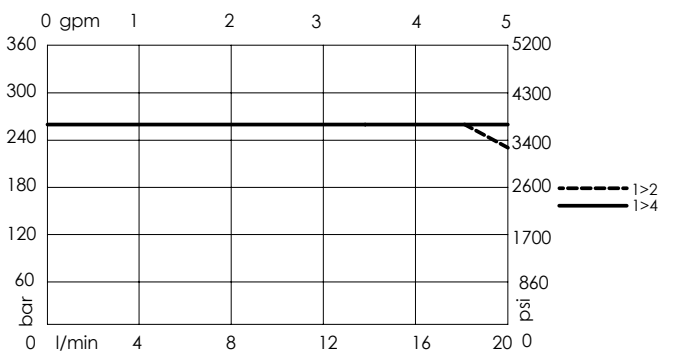
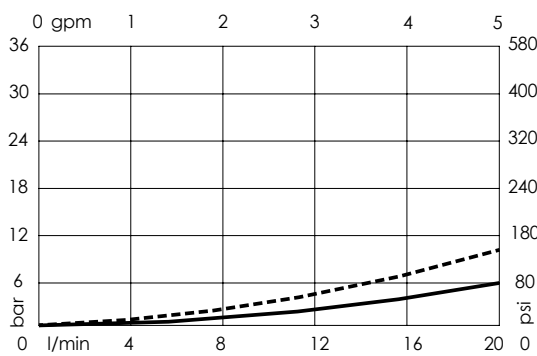
Standard



Push and pull manual override



Push pull and twist manual override



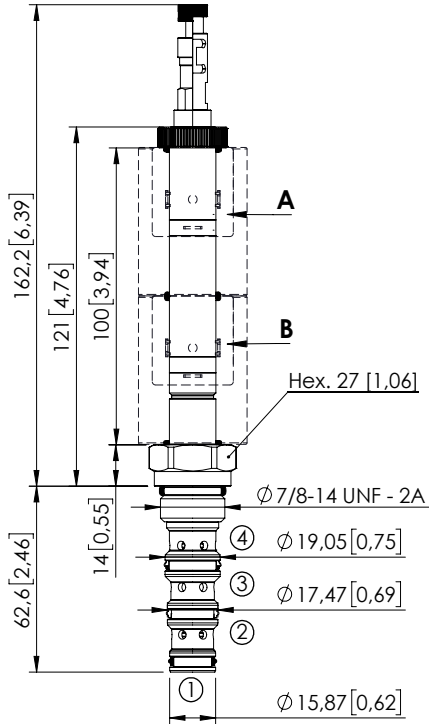
ORDERING CODES

Quick code	Description	Options
CE001005	CEES-020-SEFN-53-S10-N250	Standard
CE001006	CEES-020-SEFL-53-S10-N250	Push and pull manual override
CE001007	CEES-020-SEFG-53-S10-N250	Push pull and twist manual override

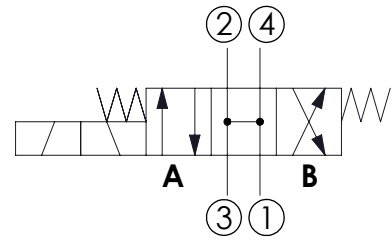
SOLENOID OPERATED CARTRIDGE

CEES-030-SEFN-54

DIRECT OPERATED
SPOOL TYPE



Dimensions: mm [inches]



SPECIFICATIONS

Max. operating pressure:	250 bar (3600 psi)
Rated flow:	30 l/min (8 gpm)
Cavity:	SAE-10-4N
Weight:	0.20 kg (0.68 lbs)
Min. voltage required:	90% of nominal
Coil type:	M16 type
Ambient temperature:	-20/+50 °C (-4/+122 °F)
Contamination class to ISO 4406:	See technical spec.
Seal kit:	RB600102
Installation torque:	55 - 62 Nm (41 - 46 ft-lb)
MTF _d :	150 - 1200 years: See technical spec.
Leakage:	240 cm ³ /min (@46 cSt) 14.6 in ³ /min (@46 cSt)

NOTES

For other configurations/quick codes not available in this catalogue page please consult factory

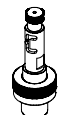
OPTIONS



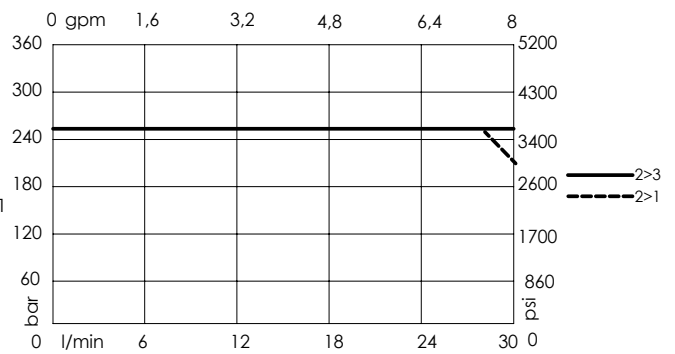
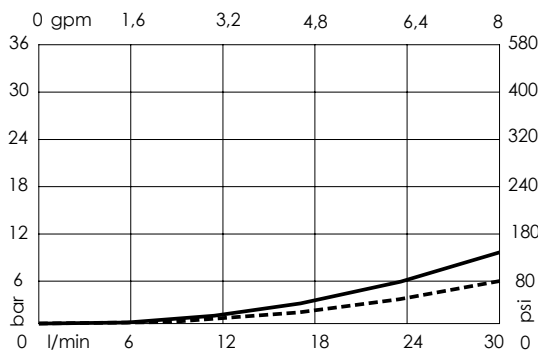
Standard



Push and pull manual override



Push pull and twist manual override



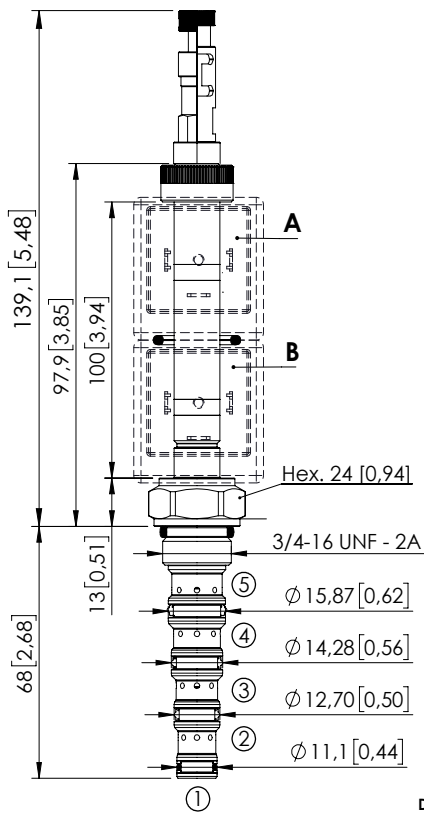
ORDERING CODES

Quick code	Description	Options
CE001008	CEES-030-SEFN-54-S10-N250	Standard
CE001009	CEES-030-SEFL-54-S10-N250	Push and pull manual override
CE001010	CEES-030-SEFG-54-S10-N250	Push pull and twist manual override

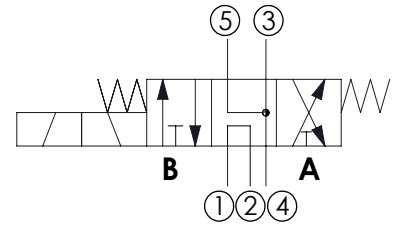
SOLENOID OPERATED CARTRIDGE

CEFS-010-SEFN-104

DIRECT OPERATED SPOOL TYPE



Dimensions: mm [inches]



SPECIFICATIONS

Max. operating pressure:	250 bar (3600 psi)
Rated flow:	10 l/min (3 gpm)
Cavity:	SAE-08-5N
Weight:	0.25 kg (0,68 lbs)
Min. voltage required:	90% of nominal
Coil type:	M7 or M3 type
Ambient temperature:	-20/+50 °C (-4/+122 °F)
Contamination class to ISO 4406:	See technical spec.
Seal kit:	RB900106
Installation torque:	45 - 50 Nm (41 - 46 ft-lb)
MTF _a :	150 - 1200 years: See technical spec.
Leakage:	120 cm ³ /min (@46 cSt) 7,3 in ³ /min (@46 cSt)

NOTES

For other configurations/quick codes not available in this catalogue page please consult factory

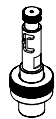
OPTIONS



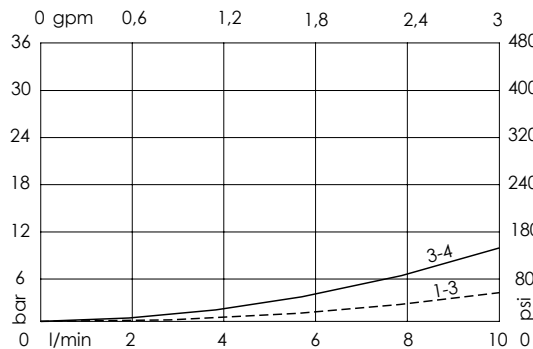
Standard



Push and pull manual override



Push pull and twist manual override



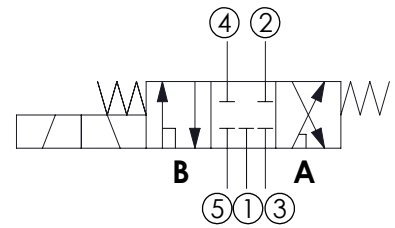
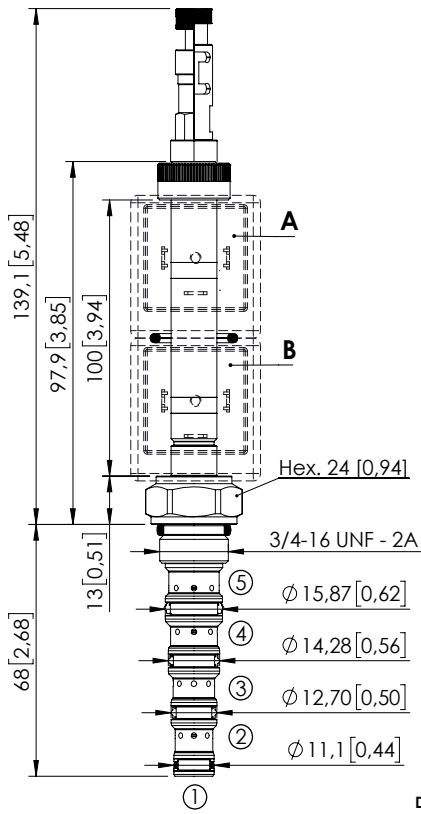
ORDERING CODES

Quick code	Description	Options
CE001808	CEFS-010-SEFN-104-S08-N250	Standard
CE001809	CEFS-010-SEFL-104-S08-N250	Push and pull manual override
CE001810	CEFS-010-SEFG-104-S08-N250	Push pull and twist manual override

SOLENOID OPERATED CARTRIDGE

CEFS-010-SEFN-106

DIRECT OPERATED SPOOL TYPE



SPECIFICATIONS

Max. operating pressure:	350 bar (5000 psi)
Rated flow:	10 l/min (3 gpm)
Cavity:	SAE-08-5N
Weight:	0.25 kg (0,68 lbs)
Min. voltage required:	90% of nominal
Coil type:	M7 or M3 type
Ambient temperature:	-20/+50 °C (-4/+122 °F)
Contamination class to ISO 4406:	See technical spec.
Seal kit:	RB900106
Installation torque:	45 - 50 Nm (41 - 46 ft-lb)
MTF _a :	150 - 1200 years: See technical spec.
Leakage:	120 cm ³ /min (@46 cSt) 7,3 in ³ /min (@46 cSt)

NOTES

For other configurations/quick codes not available in this catalogue page please consult factory

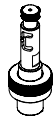
OPTIONS



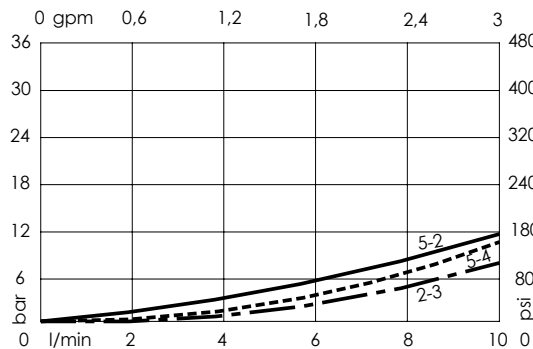
Standard



Push and pull manual override



Push pull and twist manual override



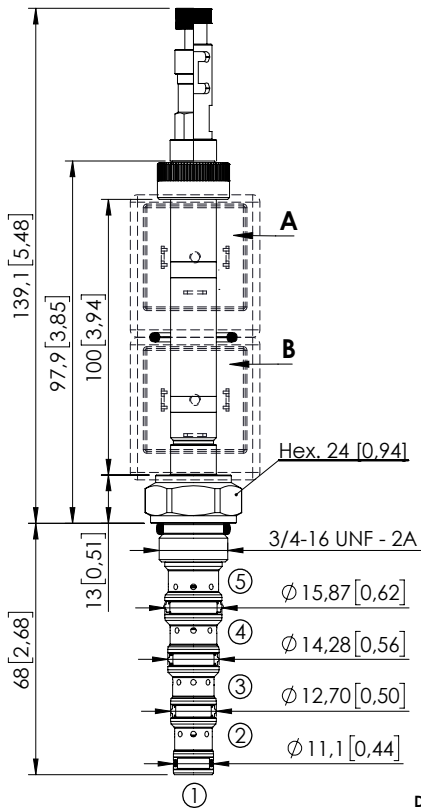
ORDERING CODES

Quick code	Description	Options
CE001814	CEFS-010-SEFN-106-S08-N250	Standard
CE001815	CEFS-010-SEFL-106-S08-N250	Push and pull manual override
CE001816	CEFS-010-SEFG-106-S08-N250	Push pull and twist manual override

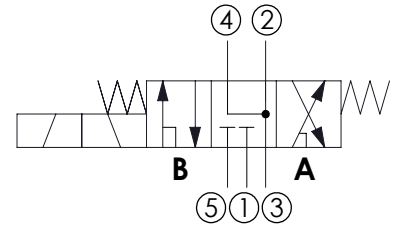
SOLENOID OPERATED CARTRIDGE

CEFS-010-SEFN-107

DIRECT OPERATED SPOOL TYPE



Dimensions: mm [inches]



SPECIFICATIONS

Max. operating pressure:	250 bar (3600 psi)
Rated flow:	10 l/min (3 gpm)
Cavity:	SAE-08-5N
Weight:	0.25 kg (0.68 lbs)
Min. voltage required:	90% of nominal
Coil type:	M7 or M3 type
Ambient temperature:	-20/+50 °C (-4/+122 °F)
Contamination class to ISO 4406:	See technical spec.
Seal kit:	RB900106
Installation torque:	45 - 50 Nm (41 - 46 ft-lb)
MTF _a :	150 - 1200 years: See technical spec.
Leakage:	120 cm ³ /min (@46 cSt) 7.3 in ³ /min (@46 cSt)

NOTES

For other configurations/quick codes not available in this catalogue page please consult factory

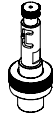
OPTIONS



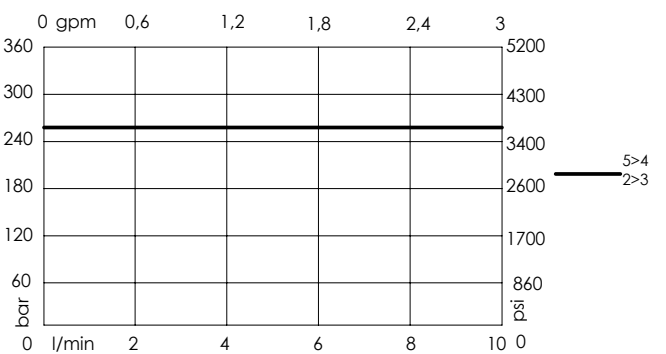
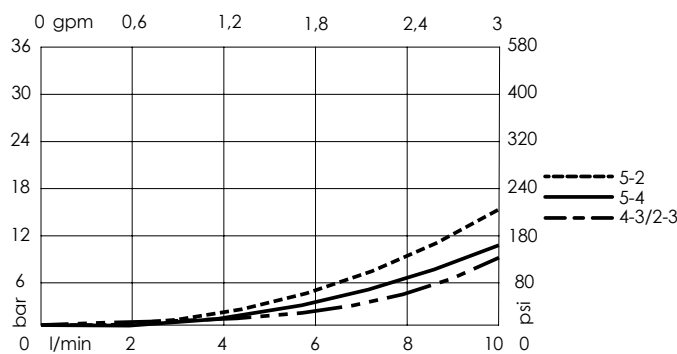
Standard



Push and pull manual override



Push pull and twist manual override



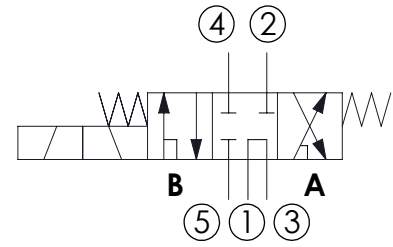
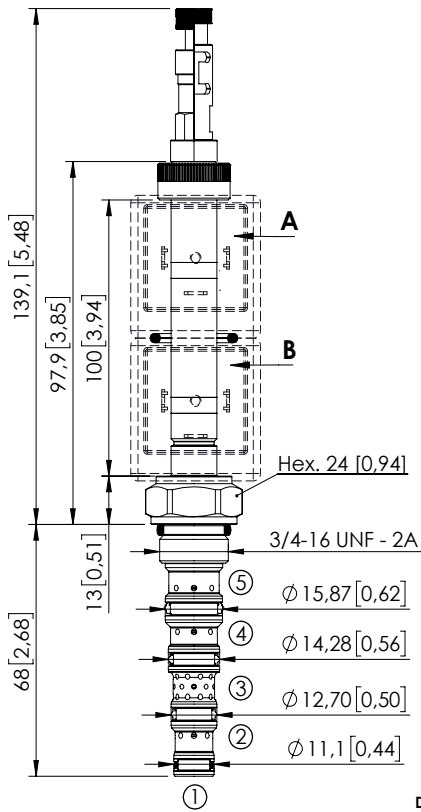
ORDERING CODES

Quick code	Description	Options
CE001817	CEFS-010-SEFN-107-S08-N250	Standard
CE001818	CEFS-010-SEFL-107-S08-N250	Push and pull manual override
CE001819	CEFS-010-SEFG-107-S08-N250	Push pull and twist manual override

SOLENOID OPERATED CARTRIDGE

CEFS-010-SEFN-108

DIRECT OPERATED SPOOL TYPE



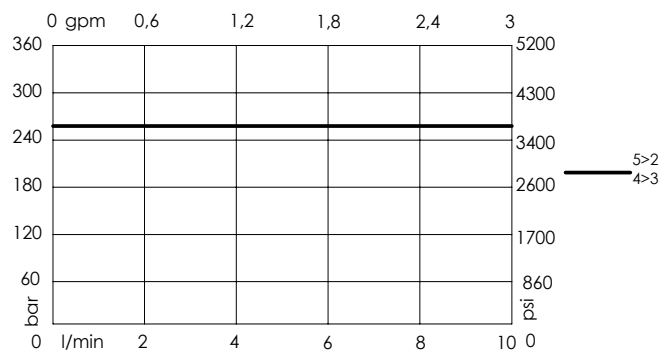
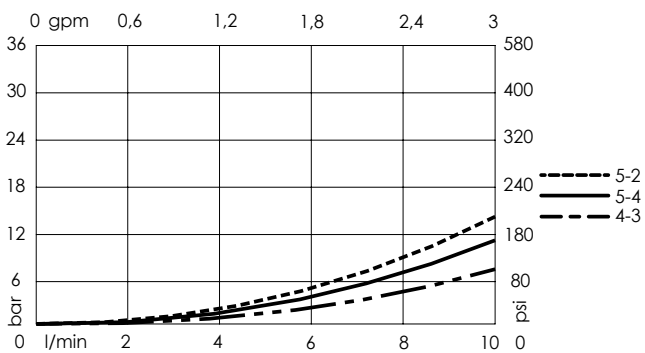
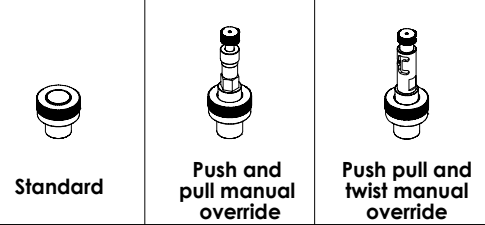
SPECIFICATIONS

Max. operating pressure:	250 bar (3600 psi)
Rated flow:	10 l/min (3 gpm)
Cavity:	SAE-08-5N
Weight:	0.25 kg (0.68 lbs)
Min. voltage required:	90% of nominal
Coil type:	M7 or M3 type
Ambient temperature:	-20/+50 °C (-4/+122 °F)
Contamination class to ISO 4406:	See technical spec.
Seal kit:	RB900106
Installation torque:	45 - 50 Nm (41 - 46 ft-lb)
MTF _a :	150 - 1200 years: See technical spec.
Leakage:	120 cm ³ /min (@46 cSt) 7.3 in ³ /min (@46 cSt)

NOTES

For other configurations/quick codes not available in this catalogue page please consult factory

OPTIONS



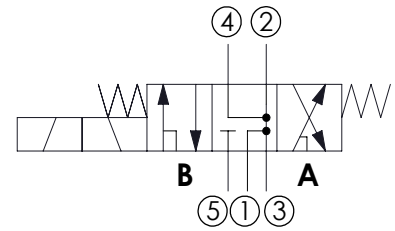
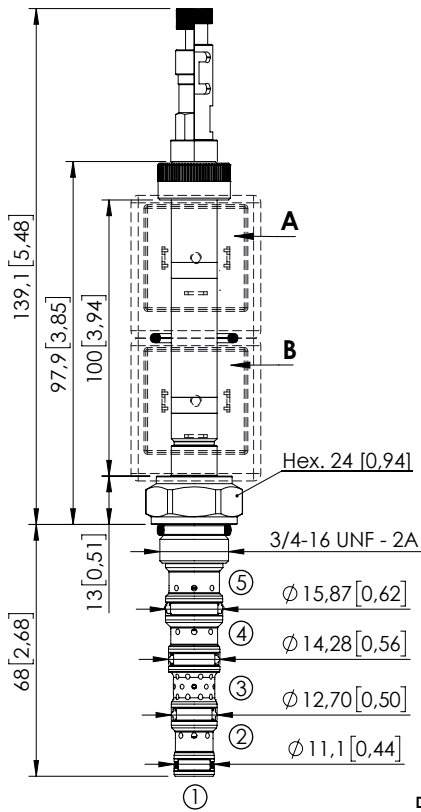
ORDERING CODES

Quick code	Description	Options
CE001820	CEFS-010-SEFN-108-S08-N250	Standard
CE001821	CEFS-010-SEFL-108-S08-N250	Push and pull manual override
CE001822	CEFS-010-SEFG-108-S08-N250	Push pull and twist manual override

SOLENOID OPERATED CARTRIDGE

CEFS-010-SEFN-115

DIRECT OPERATED SPOOL TYPE



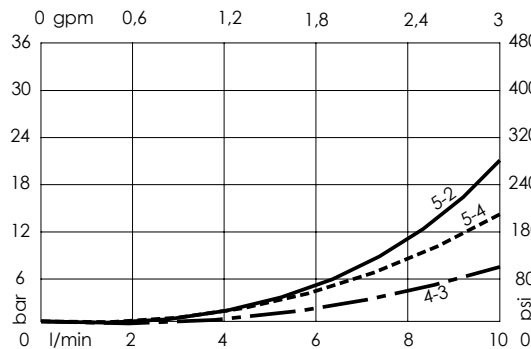
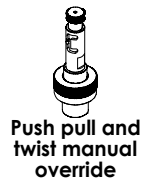
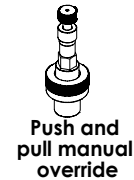
SPECIFICATIONS

Max. operating pressure:	350 bar (5000 psi)
Max. operating pressure on port 1:	210 bar (3000 psi)
Rated flow:	10 l/min (3 gpm)
Cavity:	SAE-08-5N
Weight:	0.25 kg (0,68 lbs)
Min. voltage required:	90% of nominal
Coil type:	M7 or M6 type
Ambient temperature:	-20/+50 °C (-4/+122 °F)
Contamination class to ISO 4406:	See technical spec.
Seal kit:	RB900106
Installation torque:	45 - 50 Nm (41 - 46 ft-lb)
MTTFd:	150 - 1200 years: See technical spec.
Leakage:	120 cm ³ /min (@46 cSt) 7,3 in ³ /min (@46 cSt)

NOTES

For other configurations/quick codes not available in this catalogue page please consult factory

OPTIONS



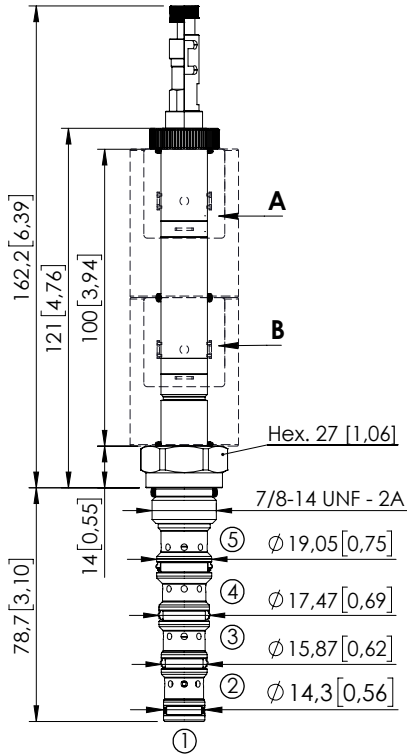
ORDERING CODES

Quick code	Description	Options
CE001823	CEFS-010-SEFN-115-S08-N250	Standard
CE001824	CEFS-010-SEFL-115-S08-N350	Push and pull manual override
CE001825	CEFS-010-SEFG-115-S08-N350	Push pull and twist manual override

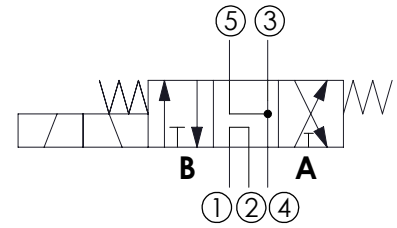
SOLENOID OPERATED CARTRIDGE

CEFS-030-SEFN-104

DIRECT OPERATED SPOOL TYPE



Dimensions: mm [inches]



SPECIFICATIONS

Max. operating pressure:	250 bar (3600 psi)
Rated flow:	30 l/min (8 gpm)
Cavity:	SAE-10-5N
Weight:	0.22 kg (0.68 lbs)
Min. voltage required:	90% of nominal
Coil type:	M16 type
Ambient temperature:	-20/+50 °C (-4/+122 °F)
Contamination class to ISO 4406:	See technical spec.
Seal kit:	RB900107
Installation torque:	55 - 62 Nm (41 - 46 ft-lb)
MTF _d :	150 - 1200 years: See technical spec.
Leakage:	120 cm ³ /min (@46 cSt) 7,3 in ³ /min (@46 cSt)

NOTES

For other configurations/quick codes not available in this catalogue page please consult factory

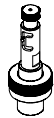
OPTIONS



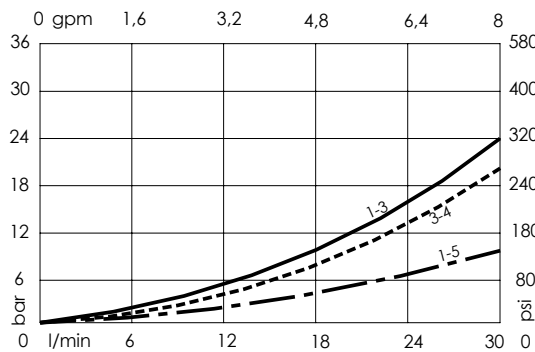
Standard



Push and pull manual override



Push pull and twist manual override



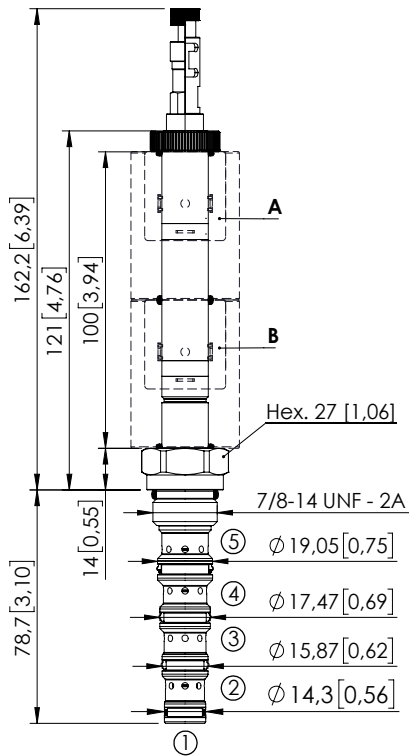
ORDERING CODES

Quick code	Description	Options
CE000795	CEFS-030-SEFN-104-S10-N250	Standard
CE001011	CEFS-030-SEFL-104-S10-N250	Push and pull manual override
CE001012	CEFS-030-SEFG-104-S10-N250	Push pull and twist manual override

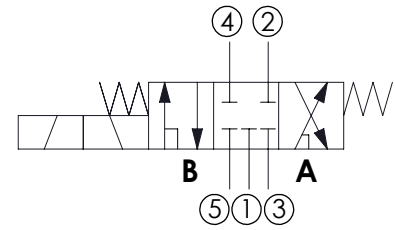
SOLENOID OPERATED CARTRIDGE

CEFS-030-SEFN-106

DIRECT OPERATED
SPOOL TYPE



Dimensions: mm [inches]



SPECIFICATIONS

Max. operating pressure:	250 bar (3600 psi)
Rated flow:	30 l/min (8 gpm)
Cavity:	SAE 10 5N
Weight:	0.22 kg (0.68 lbs)
Min. voltage required:	90% of nominal
Coil type:	M16 type
Ambient temperature:	-20/+50 °C (-4/+122 °F)
Contamination class to ISO 4406:	See technical spec.
Seal kit:	RB900107
Installation torque:	55 - 62 Nm (41 - 46 ft-lb)
MTF _d :	150 - 1200 years: See technical spec.
Leakage:	120 cm ³ /min (@46 cSt) 7,3 in ³ /min (@46 cSt)

NOTES

For other configurations/quick codes not available in this catalogue page please consult factory

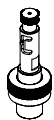
OPTIONS



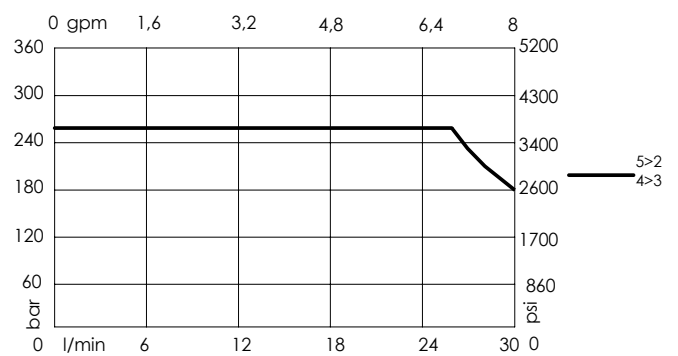
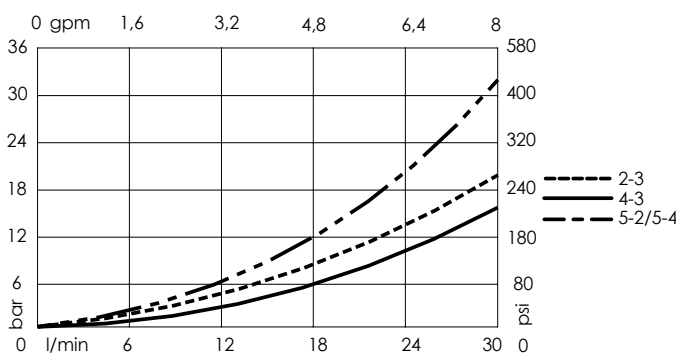
Standard



Push and pull manual override



Push pull and twist manual override



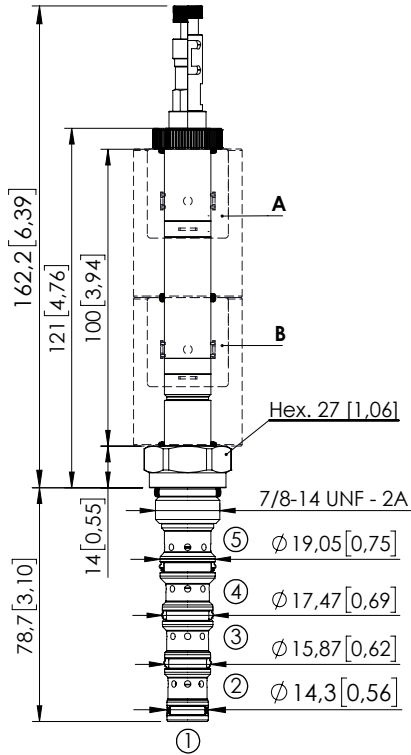
ORDERING CODES

Quick code	Description	Options
CE000794	CEFS-030-SEFN-106-S10-N250	Standard
CE001015	CEFS-030-SEFL-106-S10-N250	Push and pull manual override
CE001016	CEFS-030-SEFG-106-S10-N250	Push pull and twist manual override

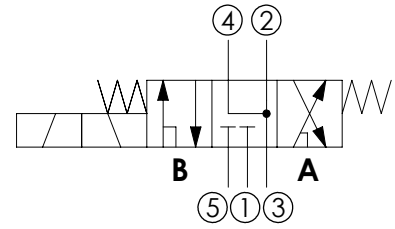
SOLENOID OPERATED CARTRIDGE

CEFS-030-SEFN-107

DIRECT OPERATED
SPOOL TYPE



Dimensions: mm [inches]



SPECIFICATIONS

Max. operating pressure:	250 bar (5000 psi)
Max. operating pressure on port 1:	250 bar (3600 psi)
Rated flow:	30 l/min (8 gpm)
Cavity:	SAE 10 5N
Weight:	0.22 kg (0,68 lbs)
Min. voltage required:	90% of nominal
Coil type:	M16 type
Ambient temperature:	-20/+50 °C (-4/+122 °F)
Contamination class to ISO 4406:	See technical spec.
Seal kit:	RB900107
Installation torque:	55 - 62 Nm (41 - 46 ft-lb)
MTF _a :	150 - 1200 years: See technical spec.
Leakage:	120 cm ³ /min (@46 cSt) 7,3 in ³ /min (@46 cSt)

NOTES

For other configurations/quick codes not available in this catalogue page please consult factory

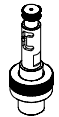
OPTIONS



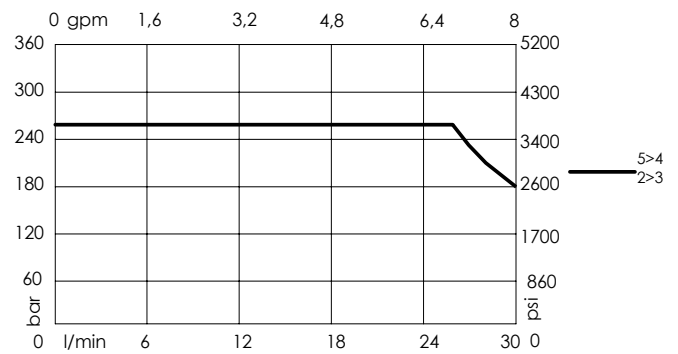
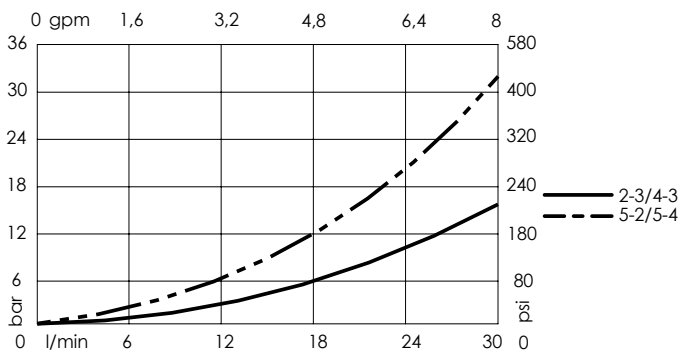
Standard



Push and pull manual override



Push pull and twist manual override



ORDERING CODES

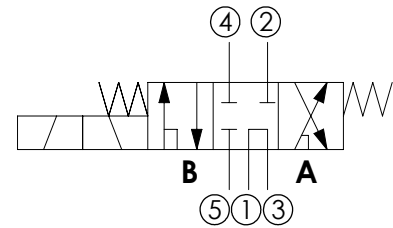
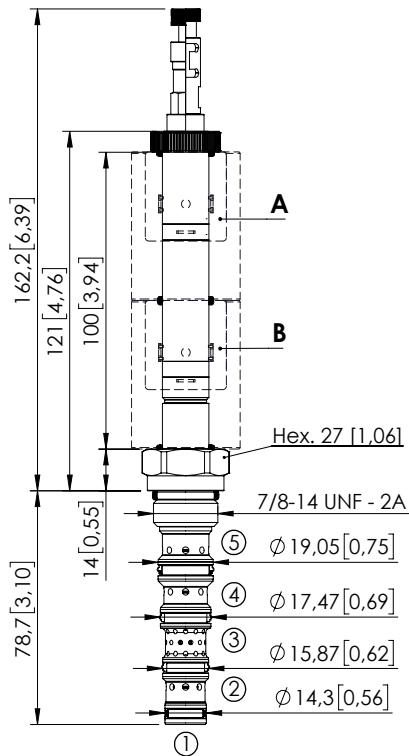
Quick code	Description	Options
CE000793	CEFS-030-SEFN-107-S10-N250	Standard
CE001017	CEFS-030-SEFL-107-S10-N350	Push and pull manual override
CE001018	CEFS-030-SEFG-107-S10-N350	Push pull and twist manual override

Revision E

SOLENOID OPERATED CARTRIDGE

CEFS-030-SEFN-108

DIRECT OPERATED
SPOOL TYPE



SPECIFICATIONS

Max. operating pressure:	250 bar (3600 psi)
Rated flow:	30 l/min (8 gpm)
Cavity:	SAE 10 5N
Weight:	0.22 kg (0.48 lbs)
Min. voltage required:	90% of nominal
Coil type:	M16 type
Ambient temperature:	-20/+50 °C (-4/+122 °F)
Contamination class to ISO 4406:	See technical spec.
Seal kit:	RB900107
Installation torque:	55 - 62 Nm (41 - 46 ft-lb)
MTTF _d :	150 - 1200 years: See technical spec.
Leakage:	120 cm ³ /min (@46 cSt) 7,3 in ³ /min (@46 cSt)

NOTES

For other configurations/quick codes not available in this catalogue page please consult factory

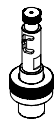
OPTIONS



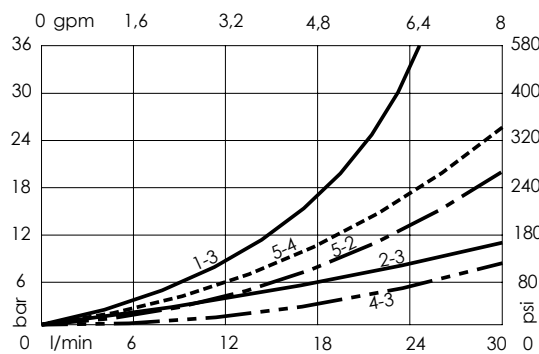
Standard



Push and pull manual override



Push pull and twist manual override



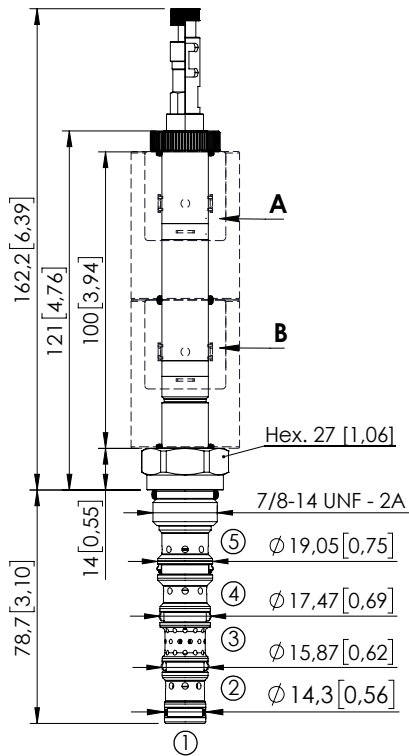
ORDERING CODES

Quick code	Description	Options
CE000792	CEFS-030-SEFN-108-S10-N250	Standard
CE001019	CEFS-030-SEFL-108-S10-N250	Push and pull manual override
CE001020	CEFS-030-SEFG-108-S10-N250	Push pull and twist manual override

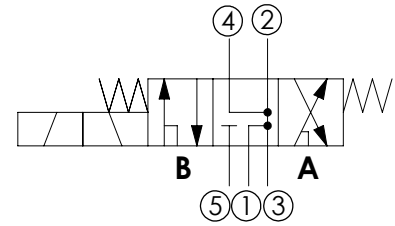
SOLENOID OPERATED CARTRIDGE

CEFS-030-SEFN-115

DIRECT OPERATED
SPOOL TYPE



Dimensions: mm [inches]



SPECIFICATIONS

Max. operating pressure:	250 bar (3600 psi)
Rated flow:	30 l/min (8 gpm)
Cavity:	SAE 10 5N
Weight:	0.22 kg (0.68 lbs)
Min. voltage required:	90% of nominal
Coil type:	M16 type
Ambient temperature:	-20/+50 °C (-4/+122 °F)
Contamination class to ISO 4406:	See technical spec.
Seal kit:	RB900107
Installation torque:	55 - 62 Nm (41 - 46 ft-lb)
MTF _d :	150 - 1200 years: See technical spec.
Leakage:	120 cm ³ /min (@46 cSt) 7,3 in ³ /min (@46 cSt)

NOTES

For other configurations/quick codes not available in this catalogue page please consult factory

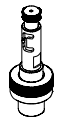
OPTIONS



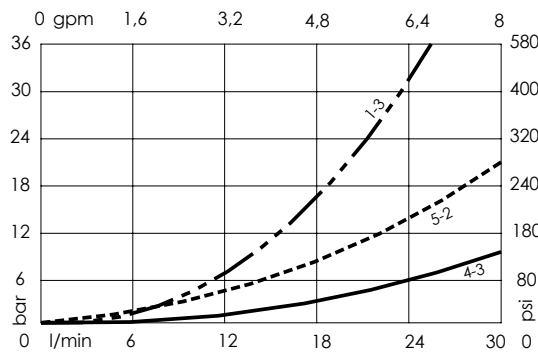
Standard



Push and pull manual override



Push pull and twist manual override



ORDERING CODES

Quick code	Description	Options
CE001027	CEFS-030-SEFN-115-S10-N250	Standard
CE001028	CEFS-030-SEFL-115-S10-N250	Push and pull manual override
CE001029	CEFS-030-SEFG-115-S10-N250	Push pull and twist manual override