



ATLANTIC
Fluid Tech

**SECTION
21**

Coils and
Connectors

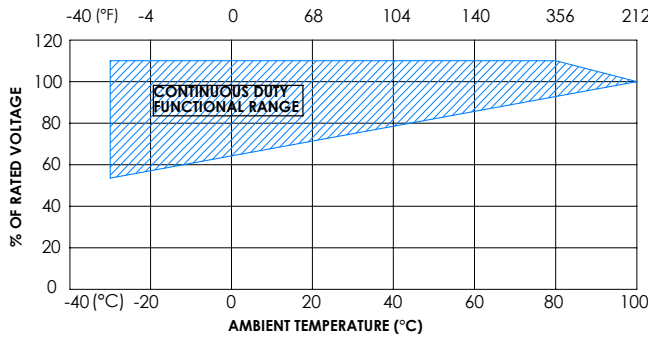
COILS AND CONNECTORS

Description	Type	Heat insulation class	Connector	Page
Coil M7 HS	M7 - For solenoid operated cartridge valve	H - 180°C (356 °F)	EN 175301-803 - DIN 43650 - ISO 4400	21.010
Coil M7 HS	M7 - For solenoid operated cartridge valve - RAC	H - 180°C (356 °F)	EN 175301-803 - DIN 43650 - ISO 4400	21.010
Coil M7 AJ	M7 - For solenoid operated cartridge valve	H - 180°C (356 °F)	Amp Junior	21.010
Coil M7 DT	M7 - For solenoid operated cartridge valve	H - 180°C (356 °F)	Deutsch - DT04-2P-L	21.020
Coil M7 DTV	M7 - For solenoid operated cartridge valve	H - 180°C (356 °F)	Deutsch - DT04-2P-V	21.020
Coil M7 DS	M7 - For solenoid operated cartridge valve	H - 180°C (356 °F)	Dual spades	21.020
Coil M7 CV	M7 - For solenoid operated cartridge valve	H - 180°C (356 °F)	Cable	21.020
Coil M3 DTV	M3 - For solenoid operated cartridge valve	H - 180°C (356 °F)	Deutsch - DT04-2P-V	21.030
Coil M14 HS	M14 - For solenoid operated cartridge valve	H - 180°C (356 °F)	EN 175301-803 - DIN 43650 - ISO 4400	21.040
Coil M14 AJ	M14 - For solenoid operated cartridge valve	H - 180°C (356 °F)	Amp Junior	21.040
Coil M14 DT	M14 - For solenoid operated cartridge valve	H - 180°C (356 °F)	Deutsch - DT04-2P-V	21.040
Coil M15 HS	M15 - For proportional solenoid operated cartridge valve	H - 180°C (356 °F)	EN 175301-803 - DIN 43650 - ISO 4400	21.050
Coil M15 AJ	M15 - For proportional solenoid operated cartridge valve	H - 180°C (356 °F)	Amp Junior	21.050
Coil M15 DT	M15 - For proportional solenoid operated cartridge valve	H - 180°C (356 °F)	Deutsch - DT04-2P-V	21.050
Coil M8 HS	M8 - For Ø19 tube diverter valve	H - 180°C (356 °F)	EN 175301-803 - DIN 43650 - ISO 4400	21.060
Coil M8 AJ	M8 - For Ø19 tube diverter valve	H - 180°C (356 °F)	Amp Junior	21.060
Coil M8 DT	M8 - For Ø19 tube diverter valve	H - 180°C (356 °F)	Deutsch - DT04-2P-V	21.060
Coil M16 HS	M16 - For solenoid operated cartridge valve	H - 180°C (356 °F)	EN 175301-803 - DIN 43650 - ISO 4400	21.070
Coil M16 AJ	M16 - For solenoid operated cartridge valve	H - 180°C (356 °F)	Amp Junior	21.070
Coil M16 DT	M16 - For solenoid operated cartridge valve	H - 180°C (356 °F)	Deutsch - DT04-2P-V	21.070
DIN Connector	IP67 - Standard / with VDR / with rectifier	-	EN 175301-803 - DIN 43650 - ISO 4400	21.080

COIL SERIES M7



CURVES



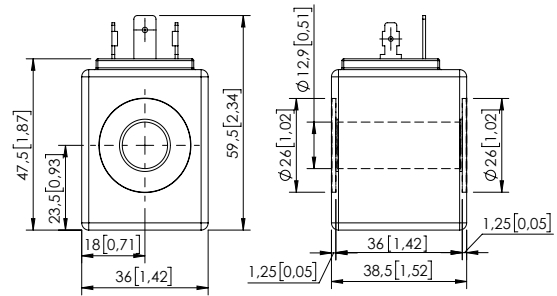
SPECIFICATION - NOTES

Heat insulation	Class H (180°C) (356°F)
Insulation class	See table (with all seals properly mounted)
Weight	See table
Ambient temperature	See graph
Inlet voltage	See graph
Contamination class to ISO 4406:	See technical spec.
MTTFa:	150 - 1200 years: See technical spec.

ED 100% in the functional range area. Do not exceed the functional range. For applications with working range close to graph limit please contact AFT sales network. The seals supplied with the valve must be properly mounted. Please refer to catalogue technical chapter for more info. For other configurations/quick codes not available in this catalogue page please consult factory

DIN 43650 - ISO 4400

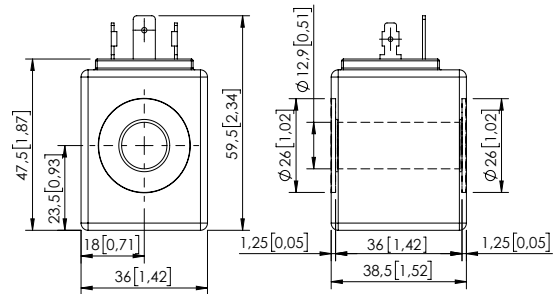
Code parts	Description	Voltage	Resistance (±7%)	Power (W)	Current (A)	Insul. class	Weight
AB000002	M7 HS 12V Class H	12 DC	7,2	20	1,67	IP65	0,217 kg (0,48 lbs)
AB000018	M7 HS 14V Class H	14 DC	9,8	20	1,43		
AB000003	M7 HS 24V Class H	24 DC	28,8	20	0,83		
AB000004	M7 HS 26V Class H	26 DC	33,8	20	0,77		
AB000043	M7 HS 10,5V Class H	10,5 DC	5,5	20	1,90		
AB000046	M7 HS 48V Class H	48 DC	115,2	20	0,42		



Dimensions: mm [inches]

DIN 43650 - ISO 4400 RAC VERSION

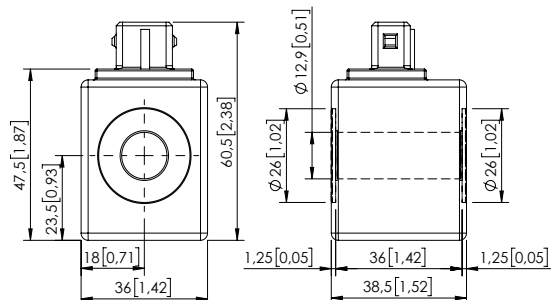
Code parts	Description	Voltage	Resistance (±7%)	Power (W)	Current (A)	Insul. class	Weight
AB000011	M7 HS 24V Class H	24 RAC	23,1	20	0,9	IP65	0,217 kg (0,48 lbs)
AB000012	M7 HS 110V Class H	110 RAC	605	20	0,18		
AB000007	M7 HS 220V Class H	220 RAC	2140	20	0,09		



Dimensions: mm [inches]

AMP JUNIOR

Code parts	Description	Voltage	Resistance (±7%)	Power (W)	Current (A)	Insul. class	Weight
AB000005	M7 AJ 12V Class H	12 DC	7,2	20	1,67	IP67	0,217 kg (0,48 lbs)
AB000014	M7 AJ 24V Class H	24 DC	28,8	20	0,83		
AB000010	M7 AJ 26V Class H	26 DC	33,8	20	0,77		



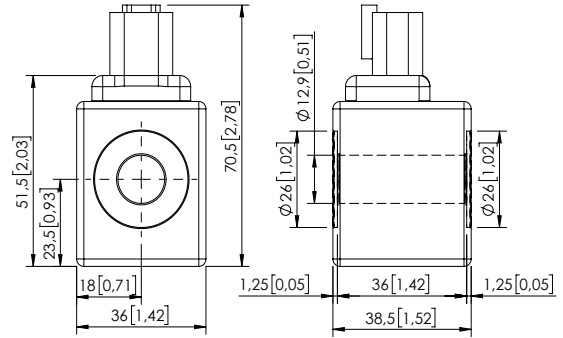
Dimensions: mm [inches]
Revision B1

COIL SERIES M7

DEUTSCH DT04-2P-L

Code parts	Description	Voltage	Resistance (±7%)	Power (W)	Current (A)	Insul. class	Weight
AB000001	M7 DT 12V Class H	12 DC	7,2	20	1,67	IP69	0,217 kg (0,48 lbs)
AB000008	M7 DT 24V Class H	24 DC	28,8	20	0,83		

With bi-directional diode.

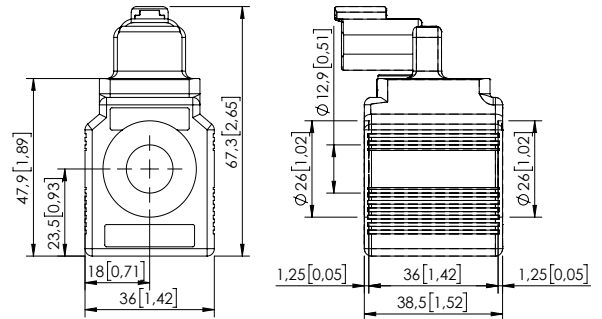


Dimensions: mm [inches]

DEUTSCH DT04-2P-V

Code parts	Description	Voltage	Resistance (±7%)	Power (W)	Current (A)	Insul. class	Weight
AB000022	M7 DTV 12V Class H	12 DC	7,2	20	1,67	IP69	0,217 kg (0,48 lbs)
AB000229	M7 DTV 14V Class H	14 DC	9,8	20	1,43		
AB000023	M7 DTV 24V Class H	24 DC	28,8	20	0,83		
AB000024	M7 DTV 26V Class H	26 DC	33,8	20	0,77		
AB000230	M7 DTV 28V Class H	28 DC	39,4	20	0,71		

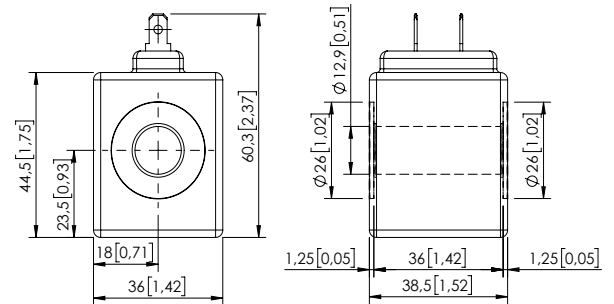
With bi-directional diode.



Dimensions: mm [inches]

DUAL SPADES

Code parts	Description	Voltage	Resistance (±7%)	Power (W)	Current (A)	Insul. class	Weight
AB000259	M7 DS 12V Class H	12 DC	7,2	20	1,67	IP65	0,217 kg (0,48 lbs)
AB000253	M7 DS 10V Class H	10 DC	5	20	2		
AB000260	M7 DS 24V Class H	24 DC	28,8	20	0,83		



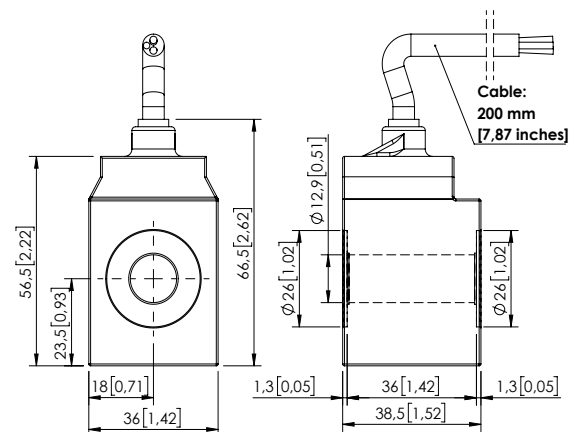
Dimensions: mm [inches]

CABLE

Code parts	Description	Voltage	Resistance (±7%)	Power (W)	Current (A)	Insul. class	Weight
AB000039	M7 CV 12V Class H	12 DC	7,2	20	1,67	IP65	0,217 kg (0,48 lbs)
AB000114	M7 CV 24V Class H	24 DC	28,8	20	0,83		

Code parts	Description	Voltage	Resistance (±7%)	Power (W)	Current (A)	Insul. class	Weight
AB000113	M7 CV 12V Class H	12 DC	7,2	20	1,67	IP65	0,217 kg (0,48 lbs)
AB000103	M7 CV 24V Class H	24 DC	28,8	20	0,83		

With bi-directional diode.



Dimensions: mm [inches]
Revision B1

COIL

COIL SERIES M3



CURVES

SPECIFICATION - NOTES

Heat insulation	Class N (200°C) (392°F)
Insulation class	See table (with all seals properly mounted)
Weight	See table
Ambient temperature	-20° +80° C (-4/+176 °F)
Inlet voltage	±10% tol.
Contamination class to ISO 4406:	See technical spec.
MTTFd:	150 - 1200 years: See technical spec.
UL-certified coil	

For other configurations/quick codes not available in this catalogue page please consult factory

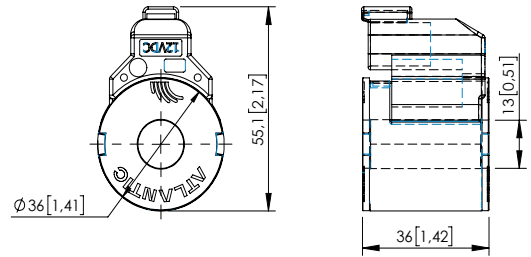
DEUTSCH DT04-2P-V

Code parts	Description	Voltage	Resistance (±7%)	Power (W)	Current (A)	Insul. class	Weight
AB000261	M3 DTV 12V Class H	12 DC	9	16	1,33	IP69K	0,400 kg (0,88 lbs)
AB000262	M3 DTV 24V Class H	24 DC	36	16	0,66		

With bi-directional diode.

Code parts	Description	Voltage	Resistance (±7%)	Power (W)	Current (A)	Insul. class	Weight
AB000269	M3 DTV 12V Class H	12 DC	9	16	1,33	IP69K	0,400 kg (0,88 lbs)
AB000266	M3 DTV 24V Class H	24 DC	36	16	0,66		

Without diode.



Dimensions: mm [inches]

COIL

COIL SERIES M14



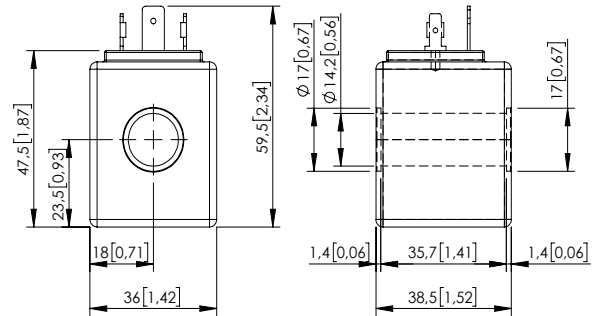
SPECIFICATION - NOTES

Heat insulation	Class H (180°C) (356°F)
Insulation class	See table (with all seals properly mounted)
Weight	See table
Ambient temperature	-20 + 50°C (-4/+122 °F)
Inlet voltage	±10% tol.
Contamination class to ISO 4406:	See technical spec.
MITF _d :	150 - 1200 years: See technical spec.

For other configurations/quick codes not available in this catalogue page please consult factory

DIN 43650 - ISO 4400

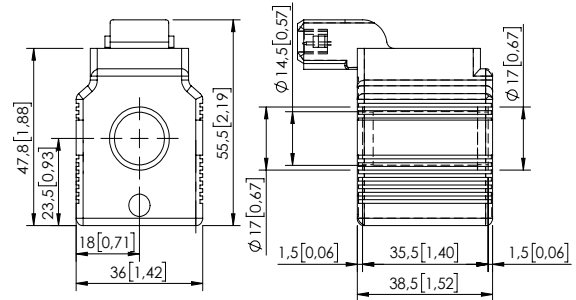
Code parts	Description	Voltage	Resistance (±7%)	Power (W)	Current (A)	Insul. class	Weight
AB000143	M14 HS 12V Class H	12 DC	5,53	26	2,17	IP65	0,200 kg (0,44 lbs)
AB000145	M14 HS 13V Class H	13 DC	6,5	26	2		
AB000144	M14 HS 24V Class H	24 DC	22,15	26	1,08		



Dimensions: mm [inches]

AMP JUNIOR

Code parts	Description	Voltage	Resistance (±7%)	Power (W)	Current (A)	Insul. class	Weight
AB000136	M14 AJ 12V Class H	12 DC	5,53	26	2,17	IP67	0,208 kg (0,46 lbs)
AB000181	M14 AJ 24V Class H	24 DC	22,15	26	1,08		
AB000131	M14 AJ 48V Class H	48 DC	88,6	26	0,54		

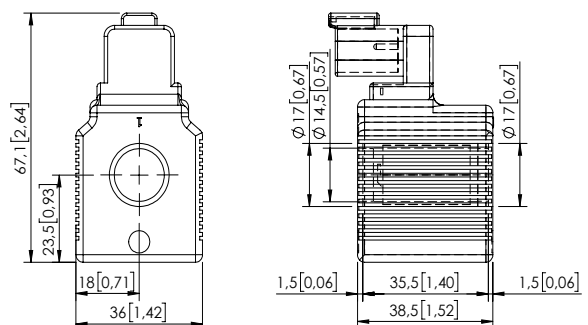


Dimensions: mm [inches]

DEUTSCH DT04-2P-V

Code parts	Description	Voltage	Resistance (±7%)	Power (W)	Current (A)	Insul. class	Weight
AB000132	M14 DTV 12V Class H	12 DC	5,53	26	2,17	IP69	0,217 kg (0,48 lbs)
AB000133	M14 DTV 24V Class H	24 DC	22,15	26	1,08		
AB000211	M14 DTV 26V Class H	26 DC	26	26	1		

With bi-directional diode.



Dimensions: mm [inches]

Revision C

COIL

COIL SERIES M15



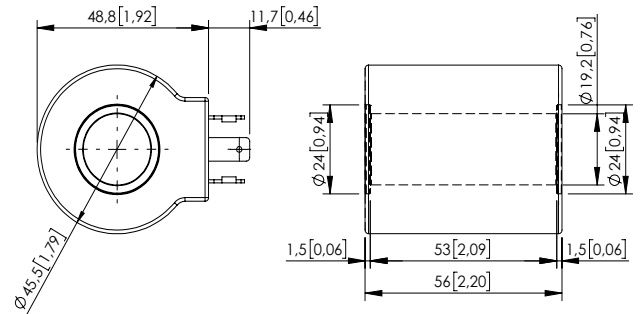
SPECIFICATION - NOTES

Heat insulation	Class H (180°C) (356°F)
Insulation class	See table (with all seals properly mounted)
Weight	See table
Ambient temperature	-20 + 50°C (-4/+122 °F)
Inlet voltage	±10% tol.
Contamination class to ISO 4406:	See technical spec.
MTTFa:	150 - 1200 years: See technical spec.

For other configurations/quick codes not available in this catalogue page please consult factory

DIN 43650 - ISO 4400

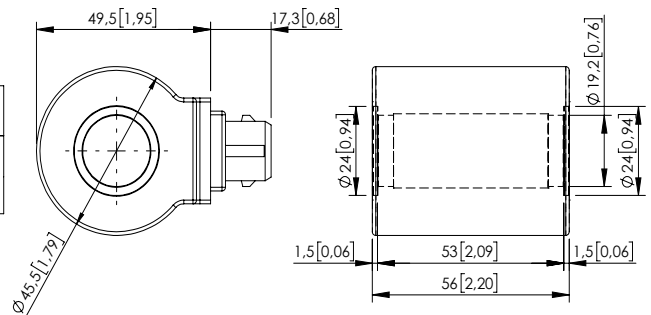
Code parts	Description	Voltage	Resistance (±7%)	Power (W)	Current (A)	Insul. class	Weight
AB000137	M15 HS 12V Class H	12 DC	6,26	23	1,92	IP65	0,361 kg (0,79 lbs)
AB000138	M15 HS 24V Class H	24 DC	25,05	23	0,96		
AB000129	M15 HS 8V Class H	8 DC	2,78	23	2,88		



Dimensions: mm [inches]

AMP JUNIOR

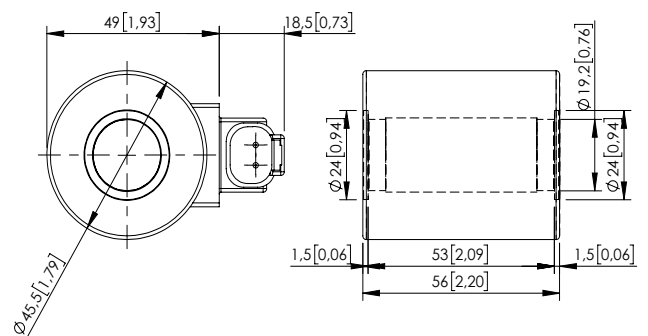
Code parts	Description	Voltage	Resistance (±7%)	Power (W)	Current (A)	Insul. class	Weight
AB000139	M15 AJ 12V Class H	12 DC	6,26	23	1,92	IP67	0,329 kg (0,73 lbs)
AB000140	M15 AJ 24V Class H	24 DC	25,05	23	0,96		



Dimensions: mm [inches]

DEUTSCH DT04-2P-V

Code parts	Description	Voltage	Resistance (±7%)	Power (W)	Current (A)	Insul. class	Weight
AB000141	M15 DTV 12V Class H	12 DC	6,26	23	1,92	IP69	0,329 kg (0,73 lbs)
AB000142	M15 DTV 24V Class H	24 DC	25,05	23	0,96		



Dimensions: mm [inches]

Revision B1

COIL

COIL SERIES M8



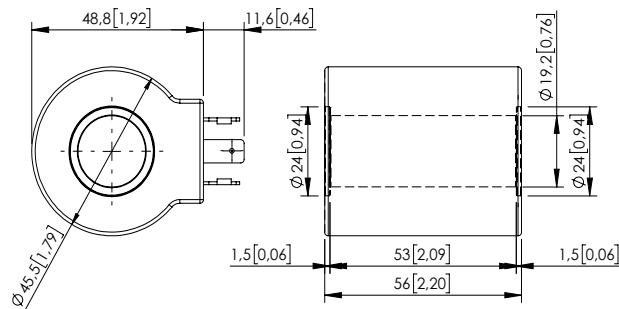
SPECIFICATION - NOTES

Heat insulation	Class H (180°C) (356°F)
Insulation class	See table (with all seals properly mounted)
Weight	See table
Ambient temperature	-20 + 50°C (-4/+122 °F)
Inlet voltage	±10% tol.
Contamination class to ISO 4406:	See technical spec.
MTTF _d :	150 - 1200 years: See technical spec.

For other configurations/quick codes not available in this catalogue page please consult factory

DIN 43650 - ISO 4400

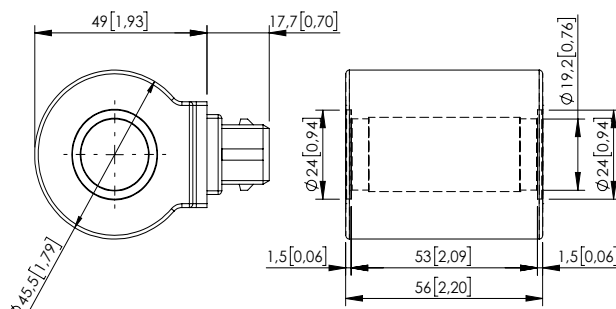
Code parts	Description	Voltage	Resistance (±7%)	Power (W)	Current (A)	Insul. class	Weight
AB000015	M8 HS 12V Class H	12 DC	4,36	33	2,75	IP65	0,38 kg (0,84 lbs)
AB000029	M8 HS 24V Class H	24 DC	17,45	33	1,38		
AB000159	M8 HS 14V Class H	14 DC	5,94	33	2,36		
AB000160	M8 HS 26V Class H	26 DC	20,48	33	1,27		
AB000158	M8 HS 48V Class H	48 DC	69,81	33	0,69		



Dimensions: mm [inches]

AMP JUNIOR

Code parts	Description	Voltage	Resistance (±7%)	Power (W)	Current (A)	Insul. class	Weight
AB000048	M8 AJ 12V Class H	12 DC	4,36	33	2,75	IP67	0,349 kg (0,77 lbs)
AB000224	M8 AJ 24V Class H	24 DC	17,45	33	1,38		

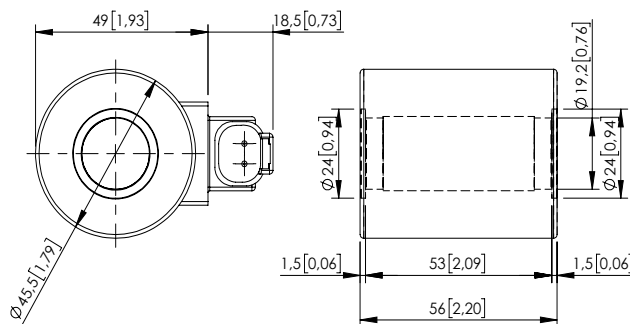


Dimensions: mm [inches]

DEUTSCH DT04-2P-V

Code parts	Description	Voltage	Resistance (±7%)	Power (W)	Current (A)	Insul. class	Weight
AB000104	M8 DTV 12V Class H	12 DC	4,36	33	2,75	IP69	0,348 kg (0,77 lbs)
AB000105	M8 DTV 24V Class H	24 DC	17,45	33	1,38		
AB000200	M8 DTV 26V Class H	26 DC	20,48	33	1,27		

With bi-directional diode.



Dimensions: mm [inches]
Revision C1

COIL

COIL SERIES M16



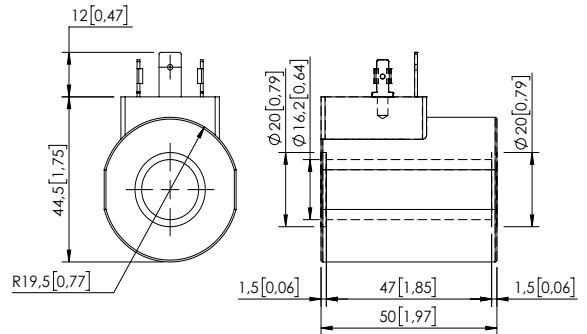
SPECIFICATION - NOTES

Heat insulation	Class H (180°C) (356°F)
Insulation class	See table (with all seals properly mounted)
Weight	See table
Ambient temperature	-20 + 50°C (-4/+122 °F)
Inlet voltage	±10% tol.
Contamination class to ISO 4406:	See technical spec.
MTTFa:	150 - 1200 years: See technical spec.

For other configurations/quick codes not available in this catalogue page please consult factory

DIN 43650 - ISO 4400

Code parts	Description	Voltage	Resistance (±7%)	Power (W)	Current (A)	Insul. class	Weight
AB000222	M16 HS 12V Class H	12 DC	5,54	26	2,17	IP65	0,3 kg (0,66 lbs)
AB000236	M16 HS 24V Class H	24 DC	22,15	26	1,08		
AB000234	M16 HS 48V Class H	48 DC	88,62	26	0,54		

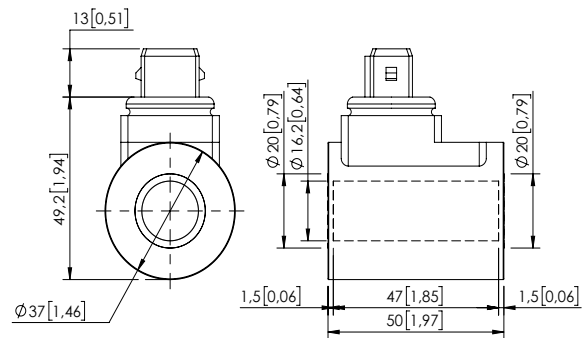


Dimensions: mm [inches]

AMP JUNIOR

Code parts	Description	Voltage	Resistance (±7%)	Power (W)	Current (A)	Insul. class	Weight
AB000218	M16 AJ 12V Class H	12 DC	5,54	26	2,17	IP67	0,3 kg (0,66 lbs)
AB000252	M16 AJ 24V Class H	24 DC	22,15	26	1,08		

With bi-directional diode.



Dimensions: mm [inches]

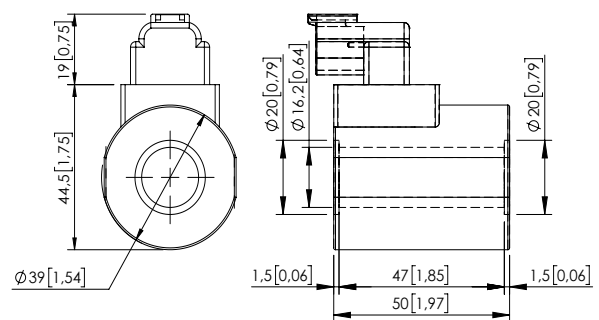
DEUTSCH DT04-2P-V

Code parts	Description	Voltage	Resistance (±7%)	Power (W)	Current (A)	Insul. class	Weight
AB000209	M16 DTV 12V Class H	12 DC	5,54	26	2,17	IP69	0,33 kg (0,66 lbs)
AB000212	M16 DTV 24V Class H	24 DC	22,15	26	1,08		
AB000210	M16 DTV 26V Class H	26 DC	26	26	1		

With bi-directional diode.

Code parts	Description	Voltage	Resistance (±7%)	Power (W)	Current (A)	Insul. class	Weight
AB000274	M16 DTV 12V Class H	12 DC	5,54	26	2,17	IP69	0,33 kg (0,66 lbs)
AB000267	M16 DTV 24V Class H	24 DC	22,15	26	1,08		

Without diode.



Dimensions: mm [inches]

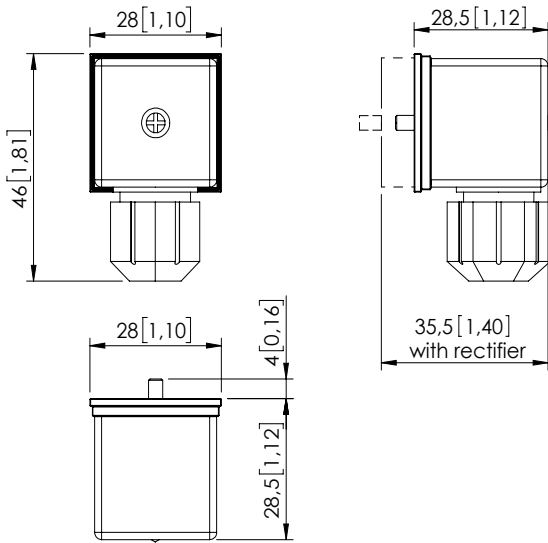
Revision B2

CONNECTOR

DIN CONNECTOR



SPECIFICATION - NOTES

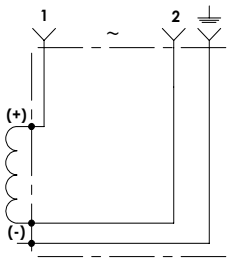


Dimensions: mm [inches]

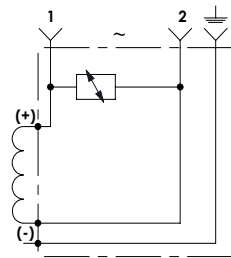
Voltage rating	AC: up to 250V max. DC: up to 300V max.
Max. current	16 A
Contact resistance	≤ 4 mΩ
Max. conductor	1,5 mm ² (1,6 fb ²)
Cable range	Ø4,0 to Ø9,0 mm (Ø0,15 to Ø0,35 fb)
Protection class	IP67 EN60529
Seal	Nitrile rubber
Poles	2 + ground
Connector	EN 175301-803 (DIN 43650)
MTTf_a:	150 - 1200 years: See technical spec.

For other configurations/quick codes not available in this catalogue page please consult factory

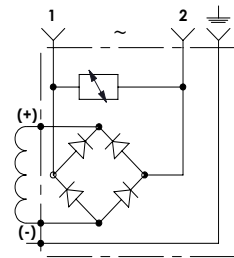
SCHEME



Standard circuit



Circuit with VDR



Circuit with rectifier and VDR

ORDERING CODES

Code parts	Colour	VDR	LED	Rectifier	Voltage
PV000171	Black	No	No	No	12V to 230V
PV000195	Black	Yes	No	No	12V DC
PV000349	Black	Yes	No	No	24V DC
PV000347	Black	Yes	No	Yes	12V RAC
PV000198	Transparent	Yes	Yes	No	12V DC
PV000348	Black	Yes	No	Yes	24V RAC
PV000196	Transparent	Yes	Yes	No	24V DC
PV000199	Black	Yes	No	Yes	230V RAC
PV000243	Transparent	Yes	Yes	No	230V DC