

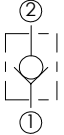
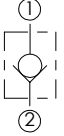
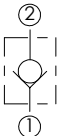
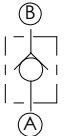


ATLANTIC
Fluid Tech

**SECTION
4**

Check Valves

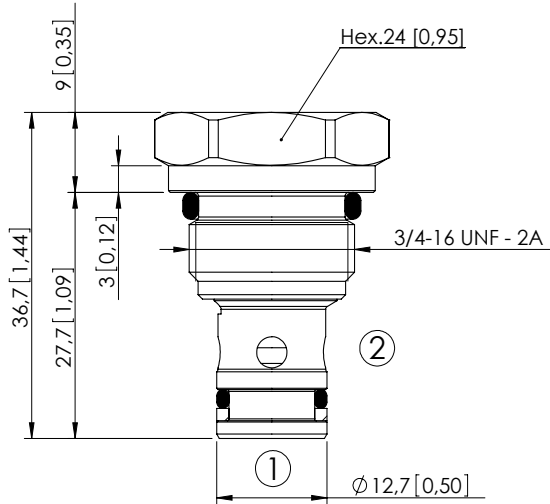
CHECK VALVES

| Hydraulic scheme | Valve description | Valve type | Rated flow l/min (gpm) | Max. pressure bar (psi) | Installation | Main port size or cavity type | Page |
|--|-------------------------------|--|---------------------------|----------------------------|--------------|----------------------------------|--------------|
|  | CDVN-050-PSNR | Poppet type | 50 (13) | 350 (5000) | Cartridge | SAE-08-2N | 4.010 |
| | CDVN-080-PSNR | Poppet type | 80 (21) | 350 (5000) | Cartridge | SAE-10-2N | 4.020 |
| | CDVN-120-PSNR | Poppet type | 120 (32) | 350 (5000) | Cartridge | SAE-12-2N | 4.030 |
|  | CDVN-010-PAGS | Poppet type, monodirectional | 10 (3) | 500 (7200) | Cartridge | G 1/8" | 4.040 |
| | CDVN-020-PAGS | Poppet type, monodirectional | 20 (5) | 500 (7200) | Cartridge | G 1/4" | 4.040 |
| | CDVN-050-PAGS | Poppet type, monodirectional | 50 (13) | 500 (7200) | Cartridge | G 3/8" | 4.040 |
| | CDVN-080-PAGS | Poppet type, monodirectional | 80 (21) | 500 (7200) | Cartridge | G 1/2" | 4.040 |
| | CDVN-120-PAGS | Poppet type, monodirectional | 120 (32) | 500 (7200) | Cartridge | G 3/4" | 4.040 |
|  | CDVN-010-PANS | Poppet type, monodirectional | 10 (3) | 500 (7200) | Cartridge | G 1/8" | 4.050 |
| | CDVN-020-PANS | Poppet type, monodirectional | 20 (5) | 500 (7200) | Cartridge | G 1/4" | 4.050 |
| | CDVN-050-PANS | Poppet type, monodirectional | 50 (13) | 500 (7200) | Cartridge | G 3/8" | 4.050 |
| | CDVN-080-PANS | Poppet type, monodirectional | 80 (21) | 500 (7200) | Cartridge | G 1/2" | 4.050 |
| | CDVN-120-PANS | Poppet type, monodirectional | 120 (32) | 500 (7200) | Cartridge | G 3/4" | 4.050 |
|  | CDVN-010-DSNS | Disk type, bidirectional, not leak proof | 10 (3) | 350 (5000) | Insert | G1/4" | 4.060 |
| | CDVN-030-DSNS | Disk type, bidirectional, not leak proof | 30 (8) | 350 (5000) | Insert | G3/8" | 4.060 |
| | CDVN-070-DSNS | Disk type, bidirectional, not leak proof | 70 (19) | 350 (5000) | Insert | G1/2" | 4.060 |

CHECK VALVE

CDVN-050-PSNR

POPPET TYPE



Dimensions: mm [inches]

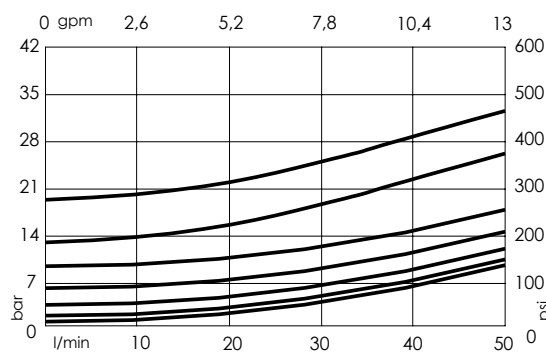
SPECIFICATIONS

| | |
|----------------------------------|---------------------------------------|
| Max. operating pressure: | 350 bar (5000 psi) |
| Rated flow: | 50 l/min (13 gpm) |
| Cavity: | SAE-08-2N |
| Weight: | 0,06 kg (0,13 lbs) |
| Contamination class to ISO 4406: | See technical spec. |
| Seal kit: | RA700081 |
| Installation torque: | 45 - 50 Nm (33 - 37 ft-lb) |
| MTF _a : | 150 - 1200 years: See technical spec. |

NOTES

For other configurations/quick codes not available in this catalogue page please consult factory

CURVES



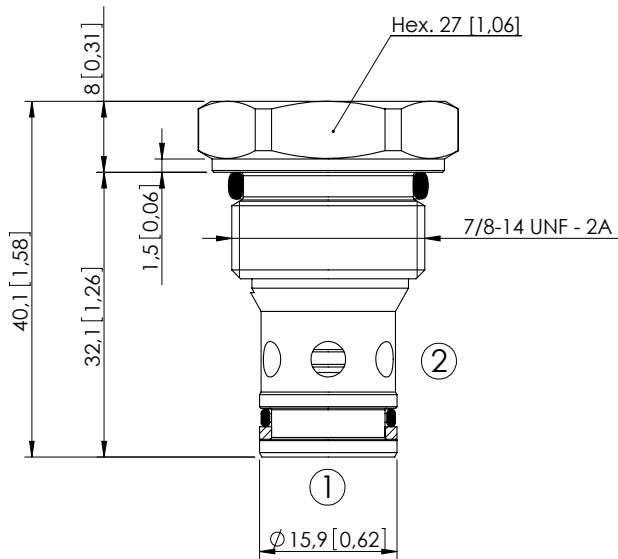
ORDERING CODES

| Quick code | Description | Cracking pressure |
|------------|---------------------------|-------------------|
| CD000099 | CDVN-050-PSNR-FN-S08-N000 | 0,35 bar (5 psi) |
| CD000024 | CDVN-050-PSNR-FN-S08-N001 | 1 bar (15 psi) |
| CD000039 | CDVN-050-PSNR-FN-S08-N003 | 3 bar (50 psi) |
| CD000269 | CDVN-050-PSNR-FN-S08-N006 | 6 bar (75 psi) |
| CD000471 | CDVN-050-PSNR-FN-S08-N009 | 9,5 bar (125 psi) |
| CD000070 | CDVN-050-PSNR-FN-S08-N013 | 13 bar (175 psi) |
| CD000620 | CDVN-050-PSNR-FN-S08-N020 | 20 bar (290 psi) |

CHECK VALVE

CDVN-080-PSNR

POPPET TYPE



SPECIFICATIONS

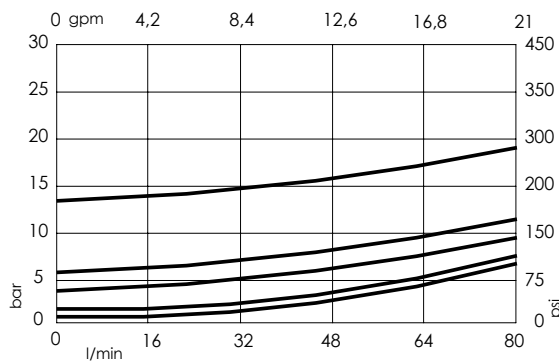
| | |
|----------------------------------|---------------------------------------|
| Max. operating pressure: | 350 bar (5000 psi) |
| Rated flow: | 80 l/min (21 gpm) |
| Cavity: | SAE-10-2N |
| Weight: | 0,09 kg (0,2 lbs) |
| Contamination class to ISO 4406: | See technical spec. |
| Seal kit: | RA700082 |
| Installation torque: | 55 - 62 Nm (41 - 46 ft-lb) |
| MTF _d : | 150 - 1200 years: See technical spec. |

Dimensions: mm [inches]

NOTES

For other configurations/quick codes not available in this catalogue page please consult factory

CURVES



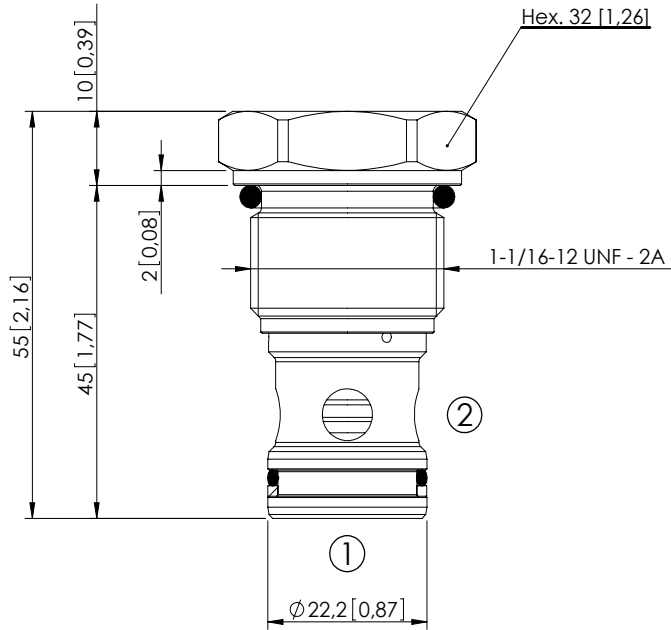
ORDERING CODES

| Quick code | Description | Cracking pressure | |
|------------|---------------------------|-------------------|--|
| CD000100 | CDVN-080-PSNR-FN-S10-N000 | 0,35 bar (5 psi) | |
| CD000023 | CDVN-080-PSNR-FN-S10-N001 | 1 bar (15 psi) | |
| CD000169 | CDVN-080-PSNR-FN-S10-N002 | 2 bar (30 psi) | |
| CD000101 | CDVN-080-PSNR-FN-S10-N005 | 5,5 bar (75 psi) | |
| CD000092 | CDVN-080-PSNR-FN-S10-N007 | 7 bar (100 psi) | |
| CD000082 | CDVN-080-PSNR-FN-S10-N013 | 13 bar (200 psi) | |

CHECK VALVE

CDVN-120-PSNR

POPPET TYPE



SPECIFICATIONS

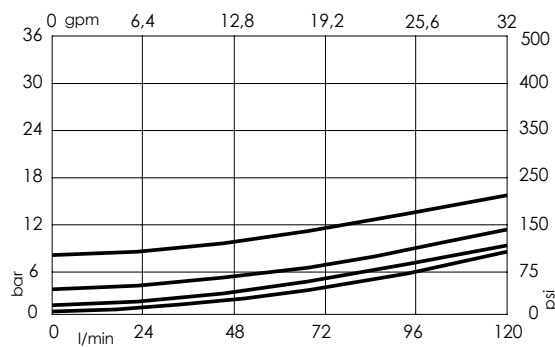
| | |
|----------------------------------|---------------------------------------|
| Max. operating pressure: | 350 bar (5000 psi) |
| Rated flow: | 120 l/min (32 gpm) |
| Cavity: | SAE-12-2N |
| Weight: | 0,3 kg (0.4 lbs) |
| Contamination class to ISO 4406: | See technical spec. |
| Seal kit: | RA700083 |
| Installation torque: | 110 - 130 Nm (81 - 96 ft-lb) |
| MTF _a : | 150 - 1200 years: See technical spec. |

Dimensions: mm [inches]

NOTES

For other configurations/quick codes not available in this catalogue page please consult factory

CURVES



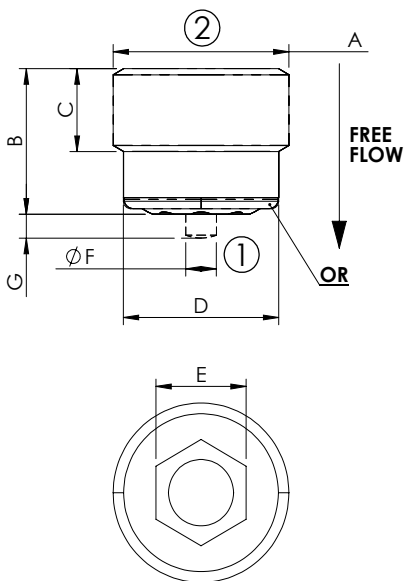
ORDERING CODES

| Quick code | Description | Cracking pressure |
|------------|---------------------------|-------------------|
| CD000444 | CDVN-120-PSNR-FN-S12-N000 | 0,3 bar (5 psi) |
| CD000046 | CDVN-120-PSNR-FN-S12-N001 | 1 bar (15 psi) |
| CD000310 | CDVN-120-PSNR-FN-S12-N004 | 4 bar (50 psi) |
| CD000445 | CDVN-120-PSNR-FN-S12-N008 | 8 bar (100 psi) |
| | | |
| | | |

CHECK VALVE

CDVN-XXX-PAGS

MONODIRECTIONAL
POPPET TYPE



Dimensions: mm [inches]

NOTES

Hardened seat and piston
For other configurations/quick codes not available in this catalogue page please consult factory

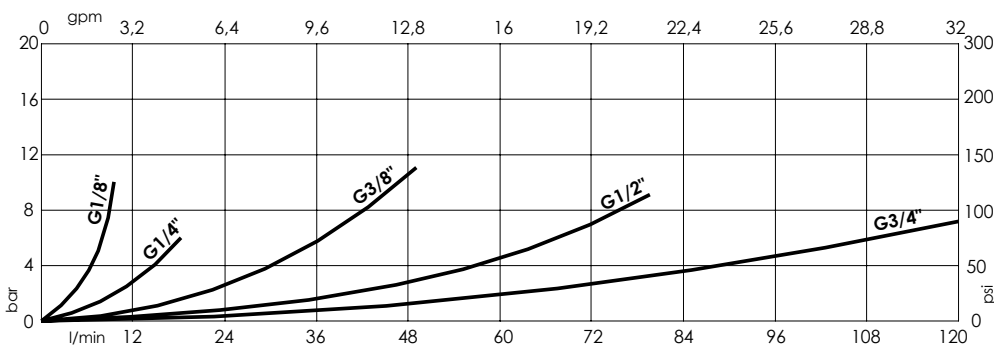
SPECIFICATIONS

| | |
|----------------------------------|---------------------------------------|
| Max. operating pressure: | 500 bar (7200 psi) |
| Weight: | 3.0 - 45 g (0,01 - 0,1 lbs) |
| Contamination class to ISO 4406: | See technical spec. |
| MTF _a : | 150 - 1200 years: See technical spec. |

SPECIFICATIONS

| Quick code | A | B | C | D | E | F | G | OR |
|------------|--------|-------------|-------------|-------------|---------------|------------|------------|-----------------------------------|
| CD000179 | G 1/8" | 7,9 [0,31] | 4,5 [0,18] | 8,6 [0,34] | Hex. 5 [0,2] | 1,7 [0,07] | 1,3 [0,05] | 6,00 x 1 N70 [0,236x0,039] |
| CD000180 | G 1/4" | 10,3 [0,41] | 5,5 [0,22] | 11,6 [0,46] | Hex. 7 [0,28] | 2,0 [0,08] | 1,3 [0,05] | 9,00 x 1 N70 [0,354x0,039] |
| CD000181 | G 3/8" | 11,7 [0,46] | 7,0 [0,28] | 15 [0,59] | Hex. 6 [0,24] | 2,7 [0,11] | 2,0 [0,08] | 11,00 x 1,5 N70 [0,433x0,059] |
| CD000182 | G 1/2" | 13,2 [0,52] | 8,0 [0,32] | 18,5 [0,73] | Hex.8 [0,32] | 3,2 [0,13] | 2,5 [0,1] | 14,00 x 1,5 N70 [0,551x0,059] |
| CD000183 | G 3/4" | 17,1 [0,67] | 10,5 [0,41] | 24 [0,95] | Hex.12 [0,47] | 5,5 [0,22] | 3,8 [0,15] | 18,77 x 1,78 N70 [0,739x0,070] |

CURVES



ORDERING CODES

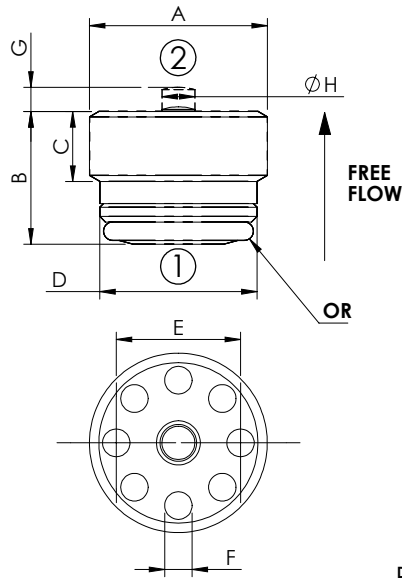
| Quick code | Description | Cracking pressure | Rated flow | Cavity | Installation torque |
|------------|------------------------|-------------------|--------------------|------------------|---------------------|
| CD000179 | CDVN-010-PAGS-307-N000 | 0,1 bar (1,5 psi) | 10 l/min (3 gpm) | VP000307 (G1/8") | 8 Nm (6 ft-lb) |
| CD000180 | CDVN-020-PAGS-309-N000 | 0,1 bar (1,5 psi) | 20 l/min (5 gpm) | VP000309 (G1/4") | 15 Nm (11 ft-lb) |
| CD000181 | CDVN-050-PAGS-310-N000 | 0,1 bar (1,5 psi) | 50 l/min (13 gpm) | VP000310 (G3/8") | 20 Nm (15 ft-lb) |
| CD000182 | CDVN-080-PAGS-311-N000 | 0,2 bar (3 psi) | 80 l/min (21 gpm) | VP000311 (G1/2") | 40 Nm (30 ft-lb) |
| CD000183 | CDVN-120-PAGS-312-N000 | 0,1 bar (1,5 psi) | 120 l/min (32 gpm) | VP000312 (G3/4") | 80 Nm (59 ft-lb) |

Revision B1

CHECK VALVE

CDVN-XXX-PANS

MONODIRECTIONAL
POPPET TYPE



SPECIFICATIONS

| | |
|----------------------------------|---------------------------------------|
| Max. operating pressure: | 500 bar (7200 psi) |
| Weight: | 3.0 - 45 g(0,01 - 0,1 lbs) |
| Contamination class to ISO 4406: | See technical spec. |
| MTTFd: | 150 - 1200 years: See technical spec. |

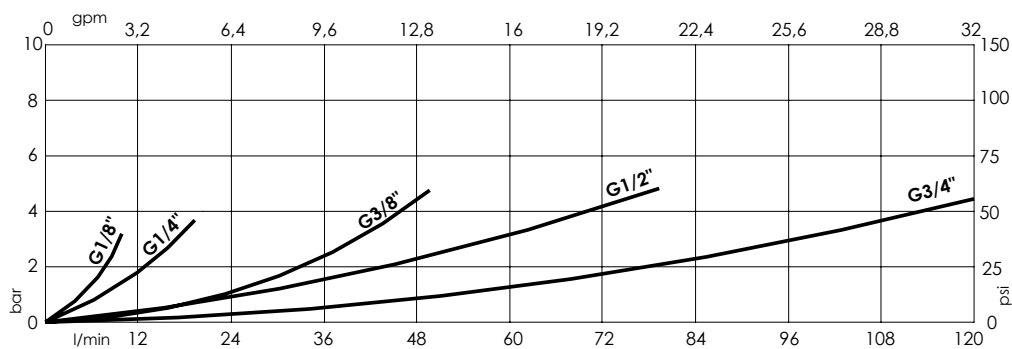
NOTES

Hardened seat and piston
For other configurations/quick codes not available in this catalogue page please consult factory

SPECIFICATIONS

| Quick code | A | B | C | D | E | F | G | H | OR |
|------------|--------|-------------|------------|-------------|-------------|------------|------------|------------|-----------------------------------|
| CD000173 | G 1/8" | 7,2 [0,28] | 3,8 [0,15] | 8,6 [0,34] | 6,8 [0,27] | 1,5 [0,06] | 1,3 [0,05] | 1,8 [0,07] | 6,00 x 1 N90 [0,236x0,039] |
| CD000174 | G 1/4" | 9 [0,32] | 4,5 [0,18] | 11,5 [0,45] | 8,8 [0,35] | 2,2 [0,09] | 1,5 [0,06] | 2,4 [0,09] | 9,00 x 1 N90 [0,354x0,039] |
| CD000175 | G 3/8" | 11,2 [0,44] | 6,5 [0,26] | 15 [0,59] | 11 [0,43] | 3 [0,12] | 2,5 [0,1] | 3,2 [0,13] | 11,00 x 1,5 N90 [0,433x0,059] |
| CD000176 | G 1/2" | 13,5 [0,53] | 8 [0,32] | 18,5 [0,73] | 14,2 [0,56] | 3,8 [0,15] | 3 [0,12] | 4 [0,16] | 14,00 x 1,5 N90 [0,551x0,059] |
| CD000178 | G 3/4" | 17,5 [0,69] | 10 [0,39] | 24 [0,95] | 18,5 [0,73] | 4,6 [0,18] | 3,5 [0,14] | 5,5 [0,22] | 18,77 x 1,78 N90 [0,739x0,070] |

CURVES



ORDERING CODES

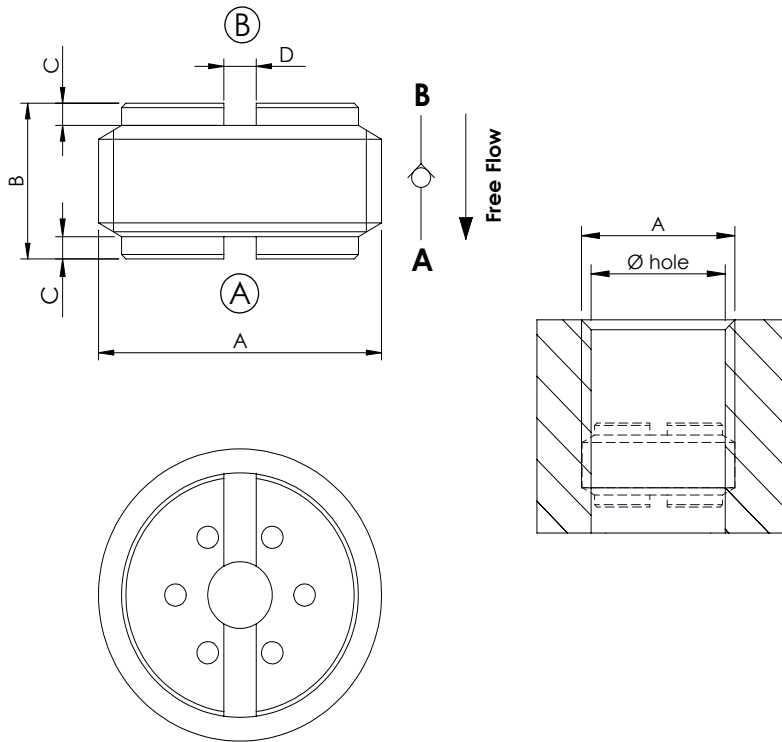
| Quick code | Description | Cracking pressure | Rated flow | Cavity | Installation torque | Installation tool |
|------------|------------------------|-------------------|--------------------|------------------|---------------------|-------------------|
| CD000173 | CDVN-010-PANS-307-N000 | 0,1 bar (1,5 psi) | 10 l/min (3 gpm) | VP000307 (G1/8") | 8 Nm (6 ft-lb) | UM000390 |
| CD000174 | CDVN-020-PANS-309-N000 | 0,2 bar (3 psi) | 20 l/min (5 gpm) | VP000309 (G1/4") | 15 Nm (11 ft-lb) | UM000391 |
| CD000175 | CDVN-050-PANS-310-N000 | 0,2 bar (3 psi) | 50 l/min (13 gpm) | VP000310 (G3/8") | 20 Nm (15 ft-lb) | UM000392 |
| CD000176 | CDVN-080-PANS-311-N000 | 0,2 bar (3 psi) | 80 l/min (21 gpm) | VP000311 (G1/2") | 40 Nm (30 ft-lb) | UM000393 |
| CD000178 | CDVN-120-PANS-312-N000 | 0,1 bar (1,5 psi) | 120 l/min (32 gpm) | VP000312 (G3/4") | 80 Nm (59 ft-lb) | UM000394 |

Revision B1

CHECK VALVE

CDVN-XXX-DSNS

INSERT TYPE
DOUBLE MOUNTING



SPECIFICATIONS

| | |
|----------------------------------|---------------------------------------|
| Max. operating pressure: | 350 bar (5000 psi) |
| Maximum leakage at 300 bar: | 0,5 l/min (0,13 gpm) |
| Contamination class to ISO 4406: | See technical spec. |
| MTFa: | 150 - 1200 years: See technical spec. |

Dimensions: mm [inches]

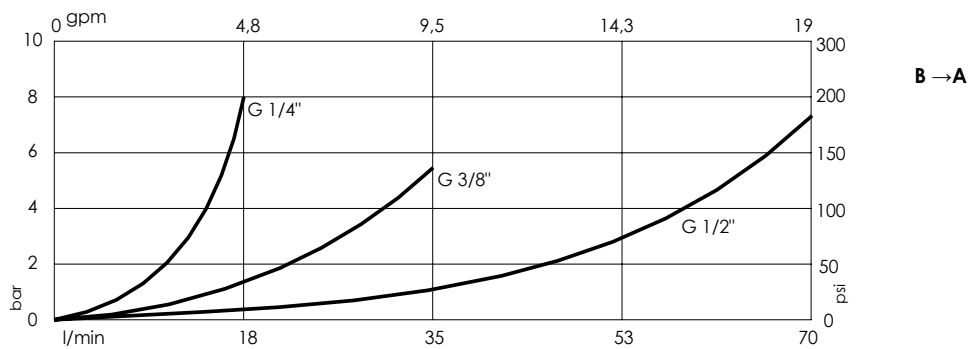
NOTES

- Disk type
- Not leak proof
- Without spring

In order to have the same leakage as indicated, the hole must be as shown in the table.

For other configurations/quick codes not available in this catalogue page please consult factory

CURVES



ORDERING CODES

| Quick code | Description | Installation torque | Cracking pressure | Rated flow | Dimension | | | | | |
|------------|---------------------------|---------------------|-------------------|-------------------|-----------|-----------|------------|------------|--------------|------------------|
| | | | | | A | B | C | D | Ø hole | Weigh |
| CD000150 | CDVN-010-DSNS-00-G14-N350 | 5 Nm (4 ft-lb) | 0 | 10 l/min (3 gpm) | G 1/4" | 7 [0,28] | 1 [0,04] | 1,5 [0,06] | 13,15 [0,52] | 4,5 g [0,001 lb] |
| CD000148 | CDVN-030-DSNS-00-G38-N350 | 10 Nm (7 ft-lb) | 0 | 30 l/min (8 gpm) | G 3/8" | 7,5 [0,3] | 1 [0,04] | 1,5 [0,06] | 16,65 [0,65] | 7,5 g [0,01 lb] |
| CD000151 | CDVN-070-DSNS-00-G12-N350 | 10 Nm (7 ft-lb) | 0 | 70 l/min (19 gpm) | G 1/2" | 11 [0,43] | 1,5 [0,06] | 1,5 [0,06] | 20,95 [0,82] | 15 g [0,03 lb] |
| | | | | | | | | | | |
| | | | | | | | | | | |

Revision A1